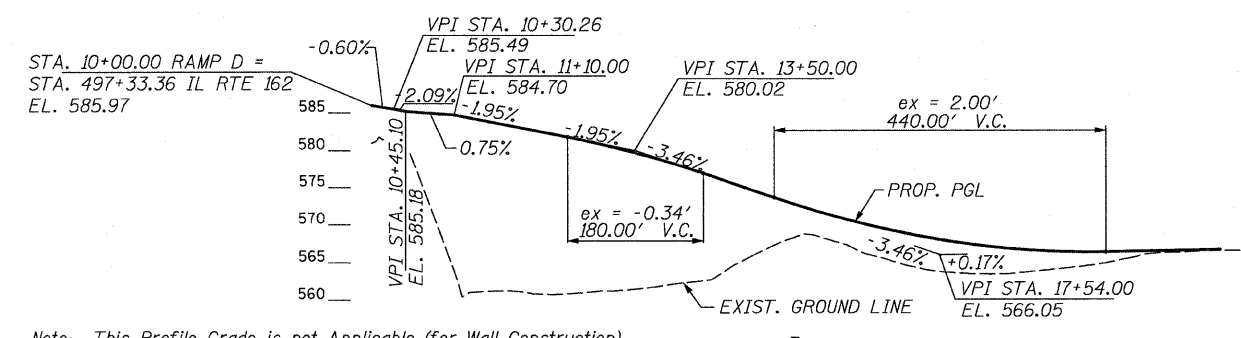
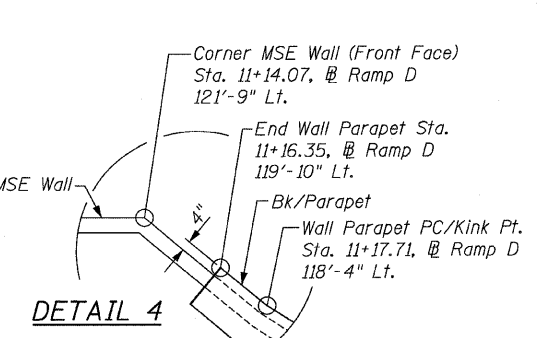
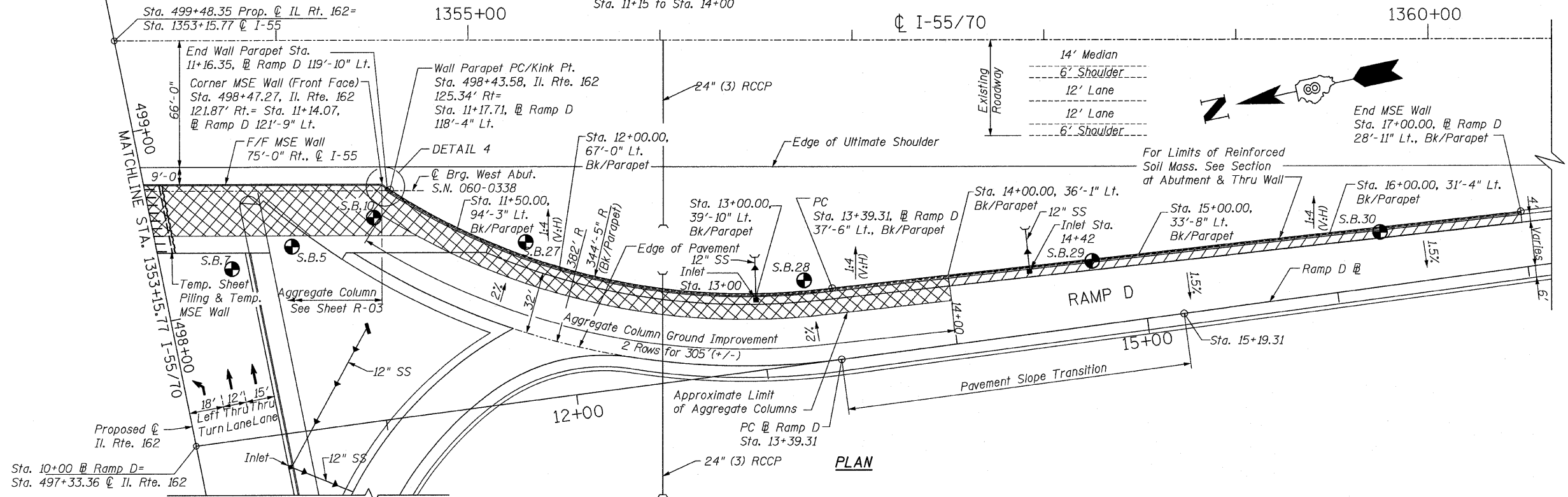
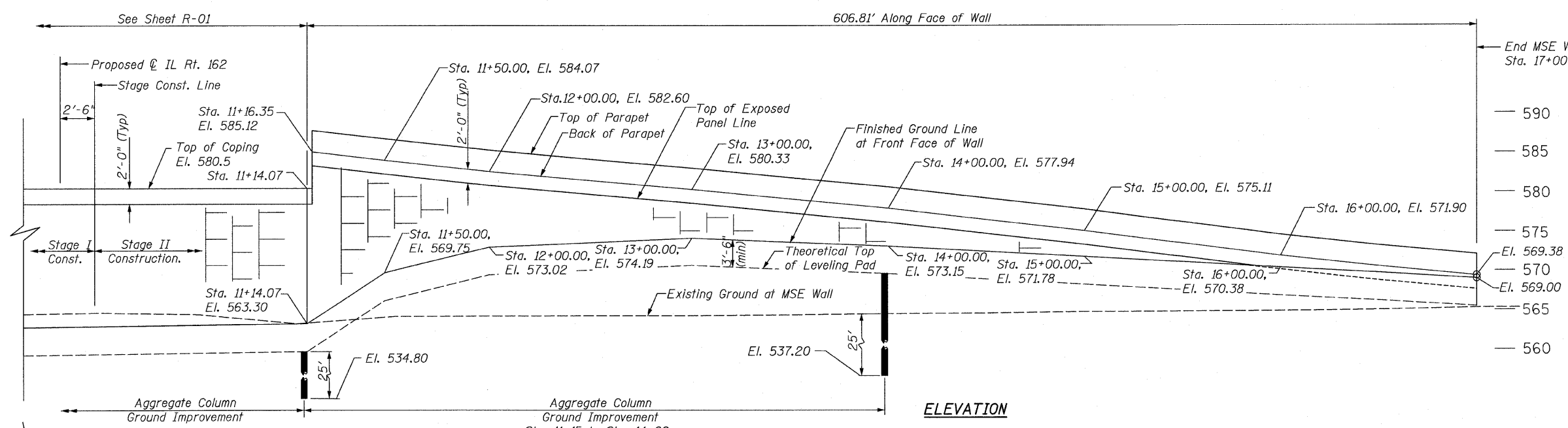


F.A.I. RTE.	SECTION	COUNTY	TOTAL SHEETS	SHEET NO.
70		MADISON	420	288
STA.	TO STA.			
FED. ROAD DIST. NO.	ILLINOIS	FED. AID PROJECT		
60-10K-1, 60-10HB	CONTRACT NO. 76709			



- = Approximate Limit of Reinforced Soil Mass
- = Approximate Limit of Aggregate Column Ground Improvement & Reinforced Soil Mass

REVISIONS	
NAME	DATE

ILLINOIS DEPARTMENT OF TRANSPORTATION
 IL ROUTE 162 OVER I-55/70 IN TROY
 F.A.I ROUTE 70 SECTION 60-10K-1, 60-10HB
 MADISON COUNTY STA. 18+50 TO STA. 17+00
 STRUCTURE NO. 060-W004
 GENERAL PLAN II
 DATE: 05/2006
 DRAWN: AWH
 CHECKED: JAN



Note: This Profile Grade is not Applicable (for Wall Construction) North of Sta. 13+39.31 (See Intersection Elev. Details)

Sh. R-02 of R-14