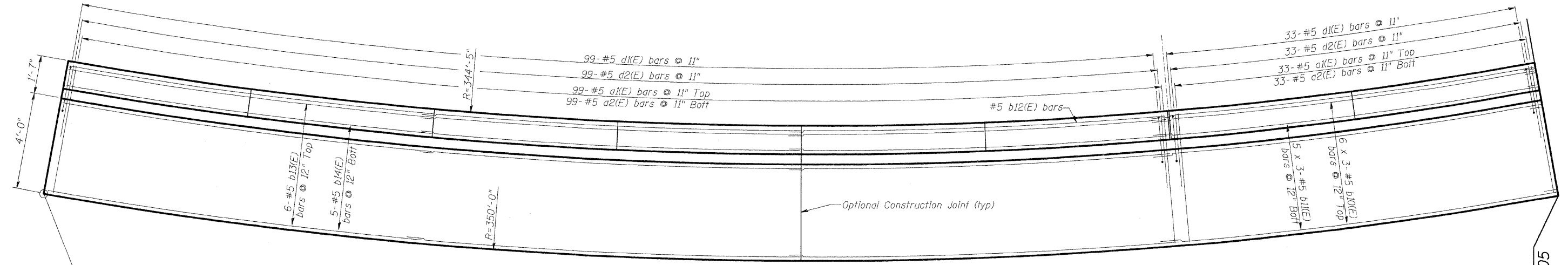
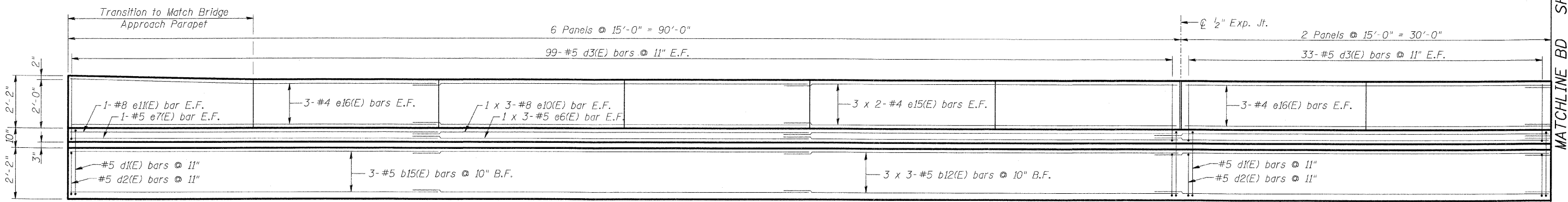


F.A.I. RTE.	SECTION	COUNTY	TOTAL SHEETS	SHEET NO.
TO	*	MADISON	420	306
STA.	TO STA.			
FED. ROAD DIST. NO.	ILLINOIS	FED. AID PROJECT		
60-10K-1, 60-10HB	CONTRACT NO. 76709			



SHOULDER PLAN



INSIDE PARAPET ELEVATION

MIN. BAR LAP

- #4 - 1'-4"
- #5 - 2'-2"
- #8 - 4'-6"

Sht. R-06 of R-13

STV Incorporated
 Engineers/Architects/Planners/Construction Managers
 200 W. Monroe Street, Suite 1650
 Chicago, IL 60606-5015
 312.553-0655, FAX 312.553-0661

REVISIONS	
NAME	DATE

ILLINOIS DEPARTMENT OF TRANSPORTATION
 IL ROUTE 162 OVER I-55/70 IN TROY
 F.A.I ROUTE 70 SECTION 60-10K-1, 60-10HB
 MADISON COUNTY STA. 17+40 TO STA. 22+50
 STRUCTURE NO. 060-W006

**PARAPET ELEVATION & SHOULDER PLAN
 RAMP B**

DATE: 05/2006

DRAWN BY: KM
 CHECKED BY: BJB