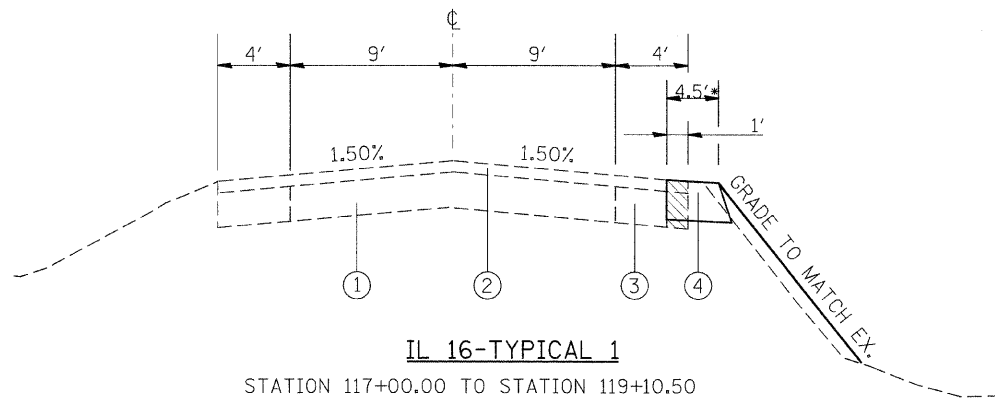


**SUGGESTED SEQUENCE OF CONSTRUCTION:**

**PRESTAGE CONSTRUCTION**

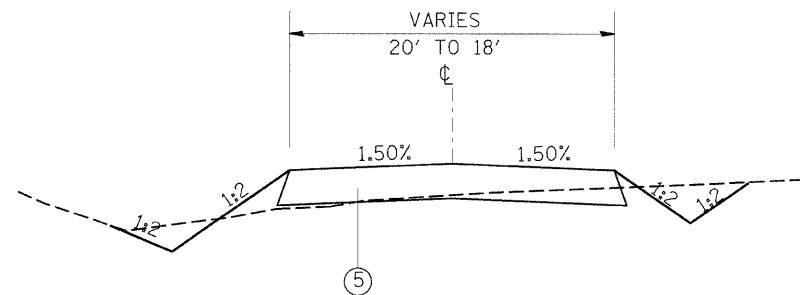
1. PRESTAGE CONSTRUCTION SHALL CONSIST OF CONSTRUCTING THE 4.5' WIDENING ON THE SOUTH SIDE OF THE PAVEMENT, CONSTRUCTING THE TEMPORARY SIDEROAD (LONE STAR ROAD), CONSTRUCTING THE HAUL ROAD, REALIGNMENT OF THE STREAMBED TO THE LIMITS SHOWN, TEMPORARY GUARDRAIL PLACEMENT AND ANY TREE REMOVAL REQUIRED FOR THIS PROJECT.
2. THE PROPOSED WIDENING SHALL INCLUDE PLACING EARTH EXCAVATION AGAINST WIDENING TO DRAIN. THE WIDENING SHALL CONSIST OF HOT-MIX ASPHALT BINDER COURSE-10", THE HAUL ROAD SHALL CONSIST OF 12" OF SURFACE AGGREGATE AND THE TEMPORARY SIDEROAD SHALL CONSIST OF 9" OF AGGREGATE FOR TEMPORARY ACCESS. (SEE HAUL ROAD TYPICALS SHEET \* OF \*)
3. TRAFFIC CONTROL FOR THIS WORK SHALL BE IN ACCORDANCE WITH THE APPLICABLE PORTIONS OF TRAFFIC CONTROL AND PROTECTION, STANDARD 701326. ONE LANE OF TRAFFIC IN BOTH DIRECTIONS SHALL BE OPEN TO TRAFFIC AT ALL TIMES DURING THE PRESTAGE CONSTRUCTION. ANY ADDITIONAL SIGNING OR TRAFFIC CONTROL DEVICES SHOWN ON THE STAGE CONSTRUCTION PLANS SHALL BE CONSIDERED AS INCLUDED IN THE APPLICABLE TRAFFIC CONTROL AND PROTECTION STANDARD.
4. THE STATIONING SHOWN FOR TYPICALS 3 AND 4 ARE FROM THE TEMPORARY SIDEROAD STATIONING.
5. FOR HAUL ROAD INFORMATION SEE HAUL ROAD DETAIL SHEETS.



**IL 16-TYPICAL 1**

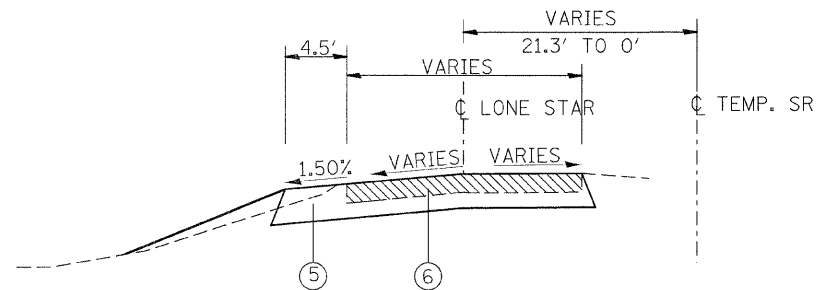
STATION 117+00.00 TO STATION 119+10.50  
STATION 120+45.50 TO STATION 122+75.00

\*WIDENING VARIES FROM 2' TO 4.5'  
STATION 115+89.50 TO STATION 117+00.00  
STATION 122+75.00 TO STATION 124+75.00



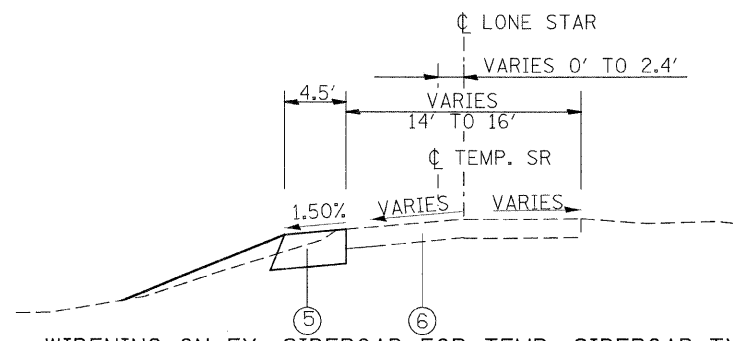
**TEMPORARY SIDEROAD-TYPICAL 2**

STATION 0+73.27 TO STATION 1+50.24 -TRANSITION FROM 20' TO 18'



**CHANGES TO EX. LONE STAR ROAD FOR TEMP. SR CONSTR.-TYPICAL 3**

STATION 0+96.29 TO STATION 1+51.02 (SEE DETAIL)



**WIDENING ON EX. SIDEROAD FOR TEMP. SIDEROAD-TYPICAL 4**

STATION 1+51.02 TO STATION 2+14.40

**LEGEND**

- ① EXISTING PCC PAVEMENT
- ② EXISTING HOT-MIX ASPHALT RESURFACING - 3"
- ③ EXISTING HOT-MIX ASPHALT BASE COURSE WIDENING - 8"
- ④ PROPOSED HOT-MIX ASPHALT BASE COURSE WIDENING - 10"
- ⑤ PROPOSED AGGREGATE FOR TEMPORARY ACCESS-8"
- ⑥ EXISTING LONE STAR (ROAD DEPTH) UNKNOWN-A1 SURFACE

FILE NAME =	USER NAME = warrnta	DESIGNED -	REVISED -	<b>STATE OF ILLINOIS DEPARTMENT OF TRANSPORTATION</b>	<b>STAGE IA CONSTRUCTION</b>		F.A.P. RTE.	SECTION	COUNTY	TOTAL SHEETS	SHEET NO.
c:\ppl\work\pwsdot\mannta\dms51935\p1n8206a.dgn		DRAWN -	REVISED -		325	3BR-2	JERSEY	90	15		
PLOT SCALE = 20,000 / / IN.		CHECKED -	REVISED -		CONTRACT NO. 76B01						
PLOT DATE = 12/11/2009		DATE -	REVISED -		SCALE:	SHEET NO. 1 OF 12 SHEETS	STA. TO STA.	FED. ROAD DIST. NO. 8 (ILLINOIS) FED. AID PROJECT			