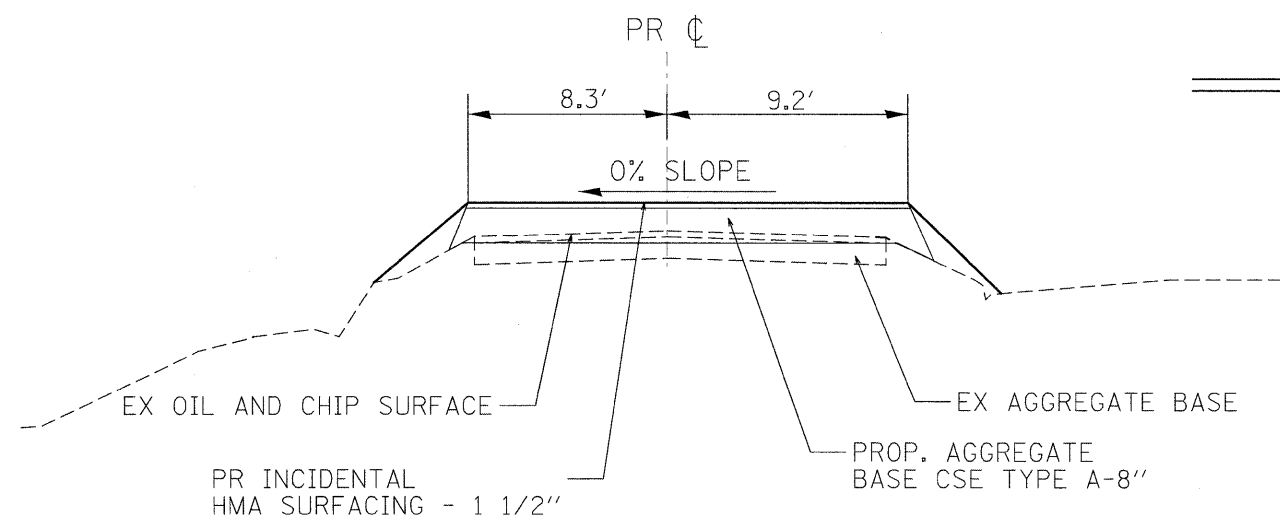
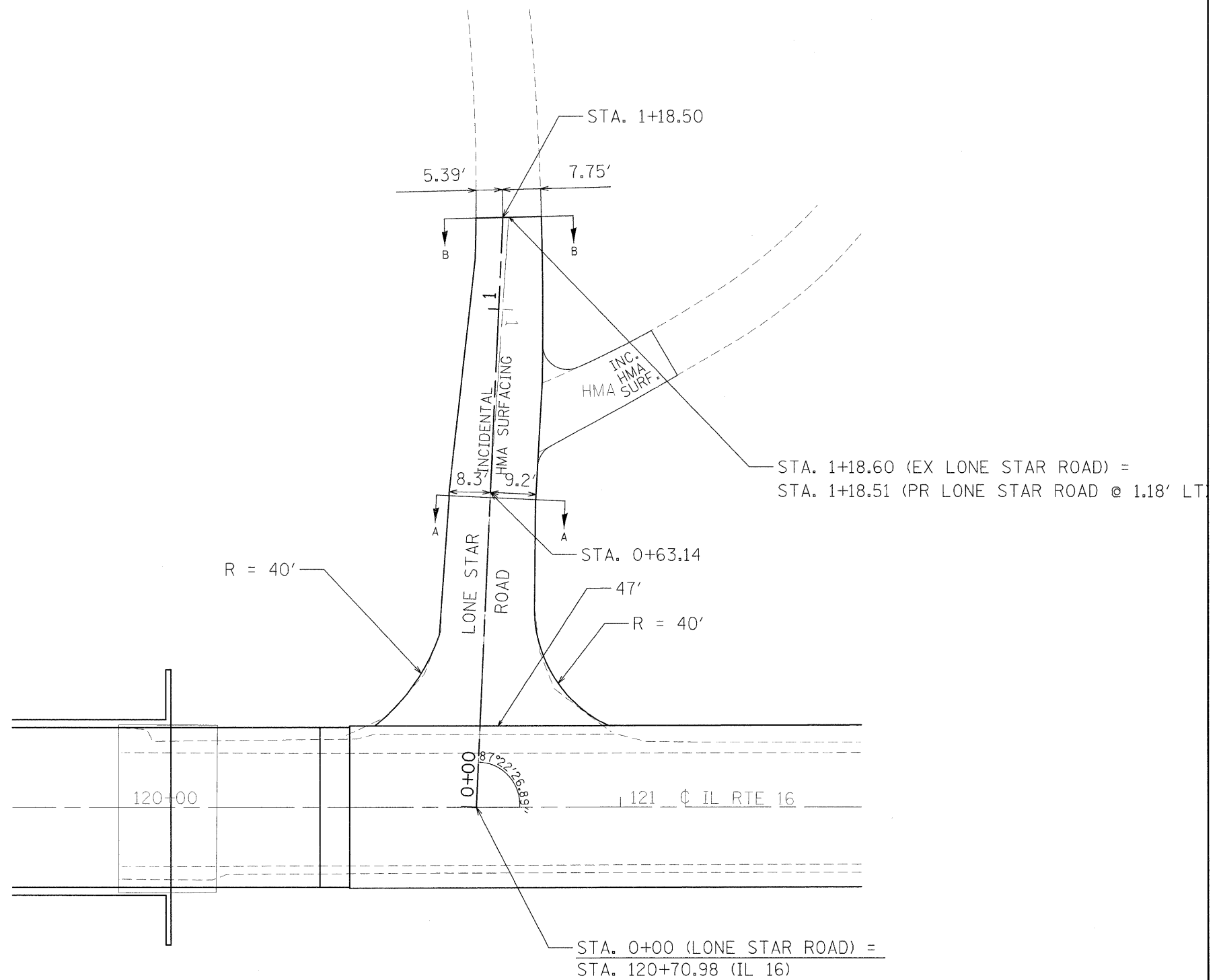


SECTION B-B



SECTION A-A



FILE NAME =	USER NAME = manntm	DESIGNED -	REVISED -	<b>STATE OF ILLINOIS DEPARTMENT OF TRANSPORTATION</b>	<b>LONE STAR ROAD DETAIL</b>		F.A.P. RTE. =	SECTION	COUNTY	TOTAL SHEETS	SHEET NO.	
01:\pwork\k\pido\mann\dm51535\p1n02020.dgn		DRAWN -	REVISED -		SCALE:	SHEET NO. 1 OF 1 SHEETS	STA.	325	3BR-2	JERSEY	90	33
		CHECKED -	REVISED -				TO STA.	CONTRACT NO. 76B01				
		DATE -	REVISED -					ILLINOIS FED. AID PROJECT				