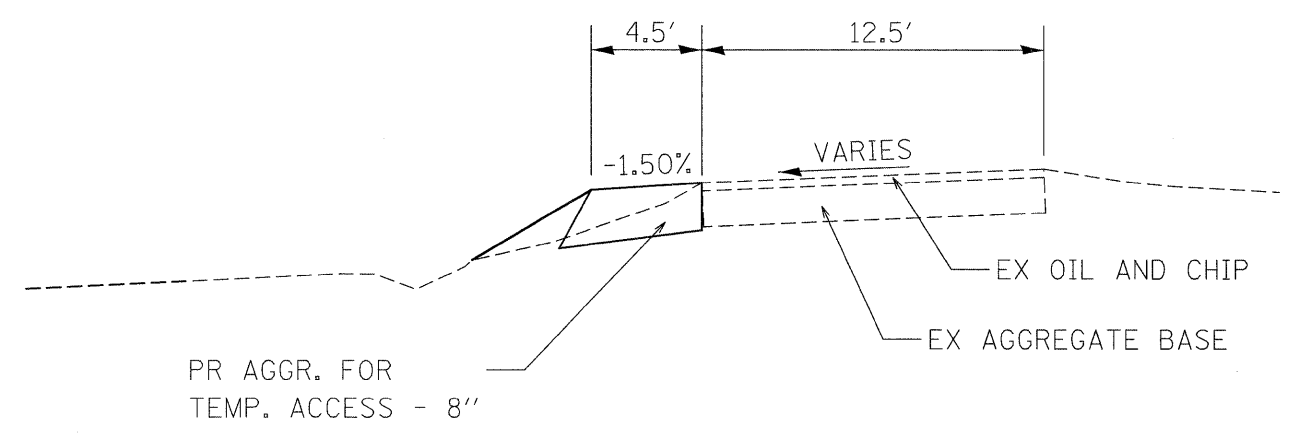
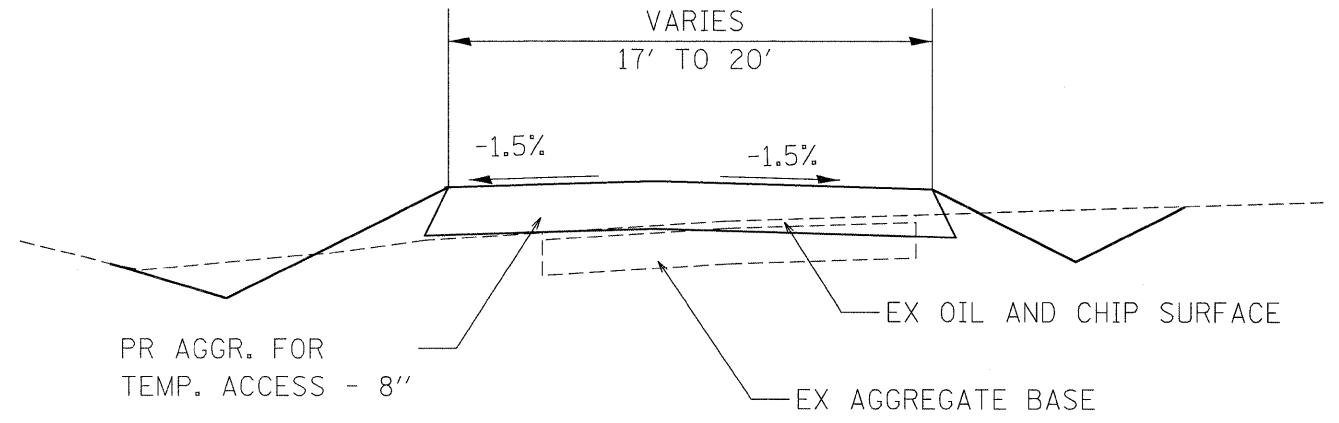
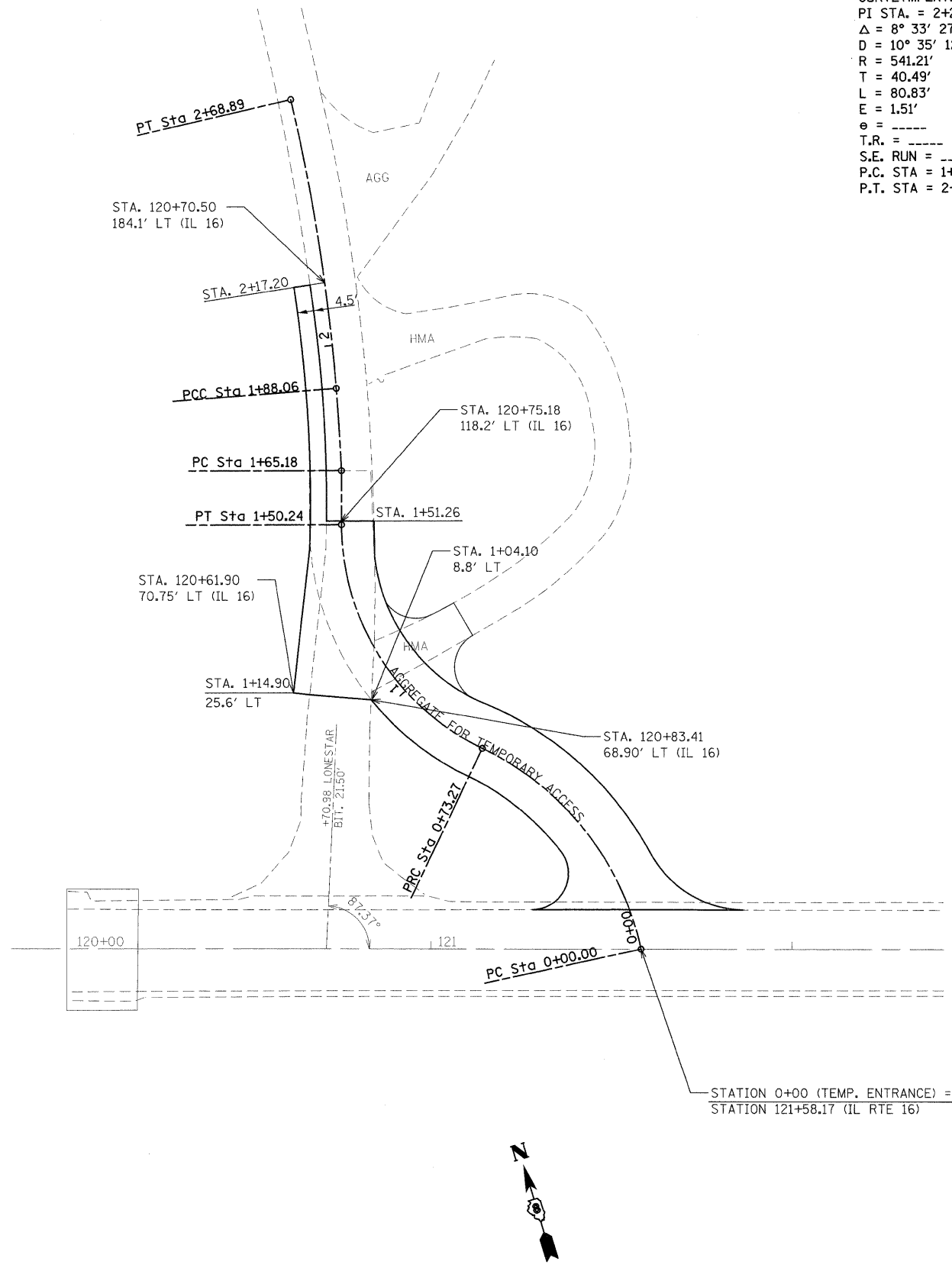


CURVETMPENT1-4 PI STA. = 2+28.55 $\Delta = 8^\circ 33' 27''$ (LT) D = 10° 35' 12" R = 541.21' T = 40.49' L = 80.83' E = 1.51' e = ----- T.R. = ----- S.E. RUN = ----- P.C. STA = 1+88.06 P.T. STA = 2+68.89	CURVETMPENT1-1 PI STA. = 0+39.39 $\Delta = 52^\circ 08' 47''$ (LT) D = 71° 10' 30" R = 80.50' T = 39.39' L = 73.27' E = 9.12' e = ----- T.R. = ----- S.E. RUN = ----- P.C. STA = 0+00.00 P.T. STA = 0+73.27	CURVETMPENT1-2 PI STA. = 1+16.39 $\Delta = 64^\circ 23' 15''$ (RT) D = 83° 38' 37" R = 68.50' T = 43.13' L = 76.98' E = 12.45' e = ----- T.R. = ----- S.E. RUN = ----- P.C. STA = 0+73.27 P.T. STA = 1+50.24	CURVETMPENT1-3 PI STA. = 1+76.62 $\Delta = 1^\circ 49' 13''$ (LT) D = 7° 57' 26" R = 720.05' T = 11.44' L = 22.88' E = 0.09' e = ----- T.R. = ----- S.E. RUN = ----- P.C. STA = 1+65.18 P.T. STA = 1+88.06
--	--	---	---



AGGREGATE FOR TEMPORARY ACCESS SHALL MEET AGGREGATE SURFACE COURSE, TYPE B REQUIREMENTS.

FILE NAME =	USER NAME = manntm	DESIGNED -	REVISED -	STATE OF ILLINOIS DEPARTMENT OF TRANSPORTATION	TEMPORARY ENTRANCE DETAIL		F.A.P. RTE. 325	SECTION 3BR-2	COUNTY JERSEY	TOTAL SHEETS 90	SHEET NO. 34	
es:\pwork\pwork\manntm\dms51935\pin02006.dgn		DRAWN -	REVISED -		SCALE:	SHEET NO. 1 OF 1 SHEETS	STA. TO STA.	CONTRACT NO. 76B01				
		CHECKED -	REVISED -		ILLINOIS FED. AID PROJECT							
		DATE -	REVISED -									