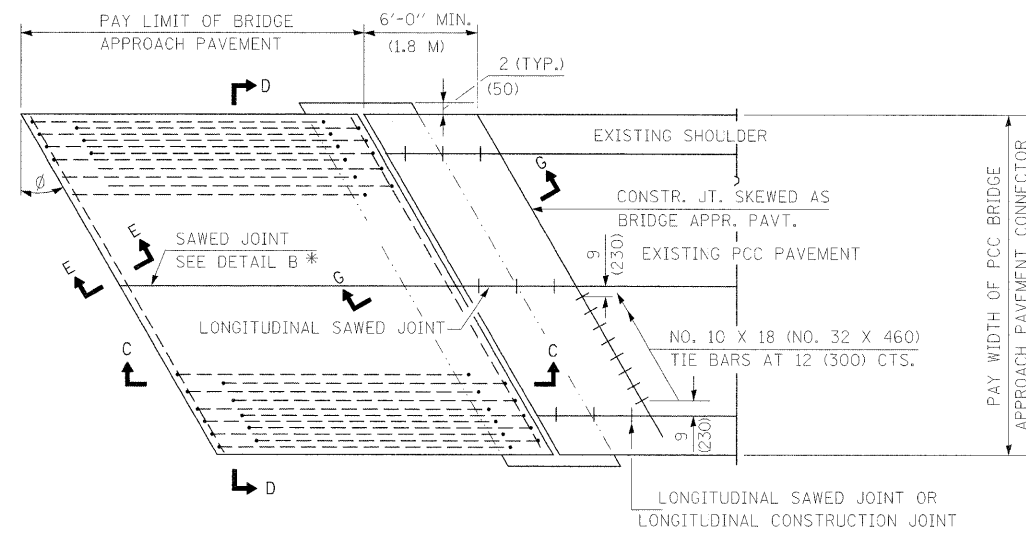
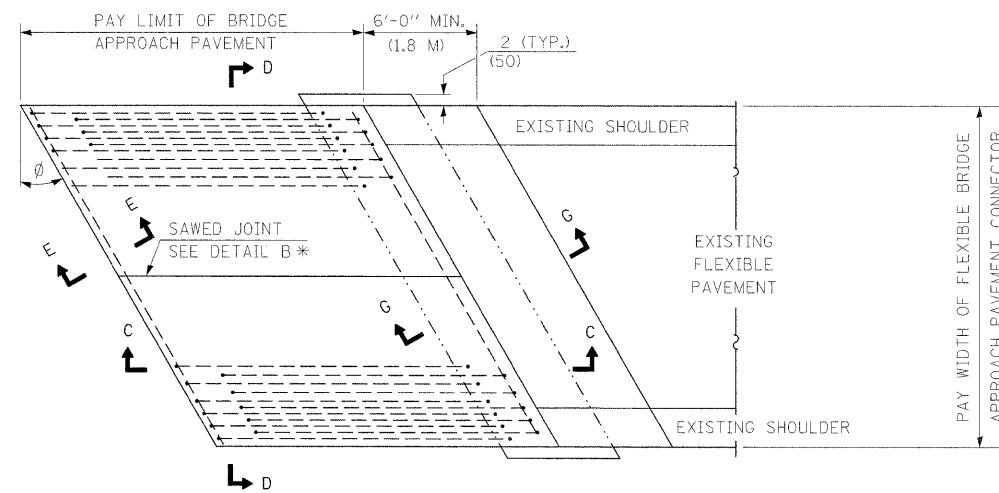


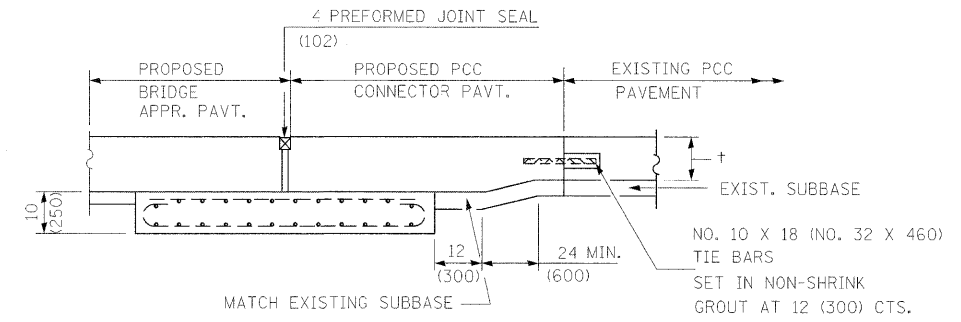
EXISTING CONSTRUCTION



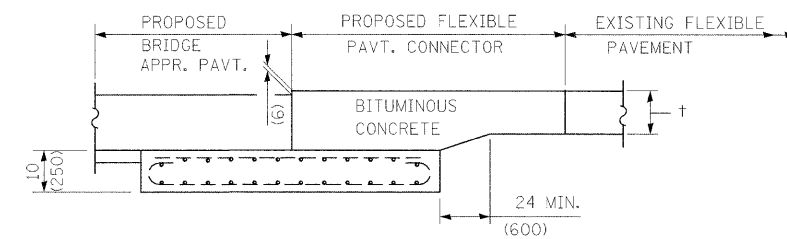
BRIDGE APPROACH PAVEMENT CONNECTOR (PCC)



BRIDGE APPROACH PAVEMENT CONNECTOR (FLEXIBLE)



SECTION G-G - RIGID PAVEMENT



SECTION G-G - FLEXIBLE PAVEMENT

FILE NAME =	USER NAME = manntm	DESIGNED -	REVISED -	STATE OF ILLINOIS DEPARTMENT OF TRANSPORTATION	BRIDGE APPROACH PAVEMENT DETAIL			F.A.P. RTE.	SECTION	COUNTY	TOTAL SHEETS	SHEET NO.
st:\pw_work\pilot\manntm\dms51935\p1n0200a.dgn	PLOT SCALE = 20,0000 ' / IN.	DRAWN -	REVISED -					325	3BR-2	JERSEY	90	39
PLOT DATE = 12/11/2008	DATE -	CHECKED -	REVISED -		SCALE: SHEET NO. 2 OF 4 SHEETS STA. TO STA.			CONTRACT NO. 76B01				
					FED. ROAD DIST. NO. 8 ILLINOIS FED. AID PROJECT							