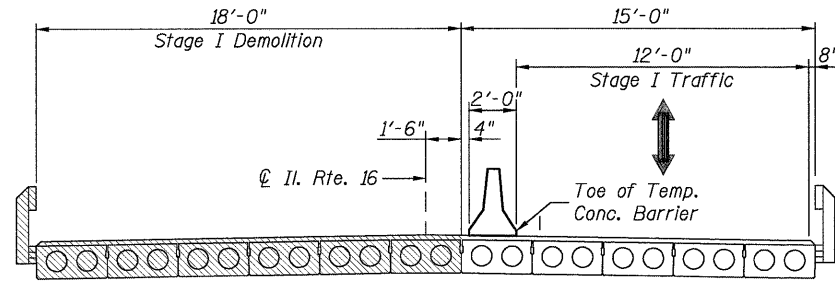
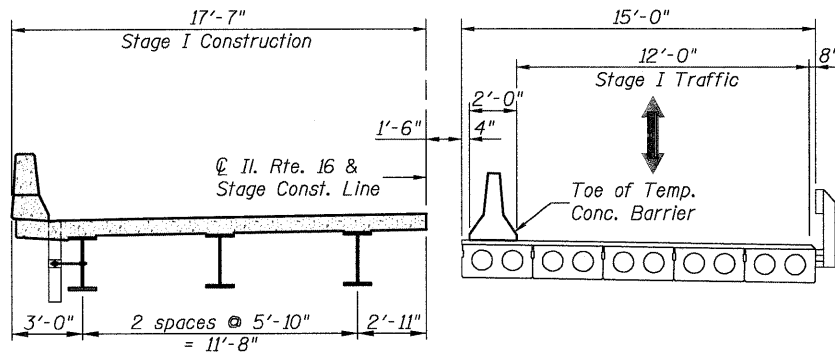


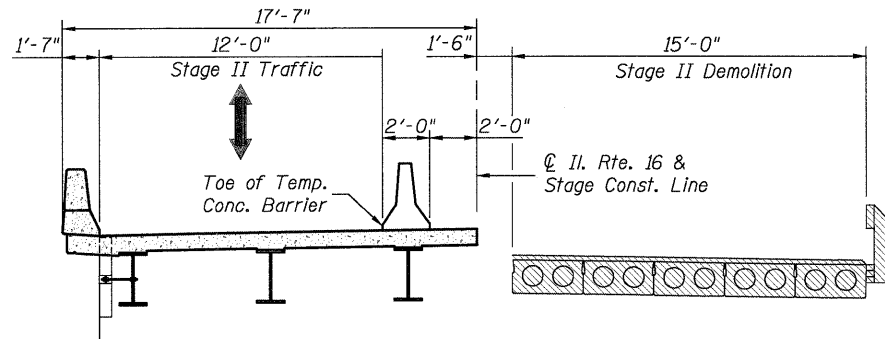
STATE OF ILLINOIS
DEPARTMENT OF TRANSPORTATION



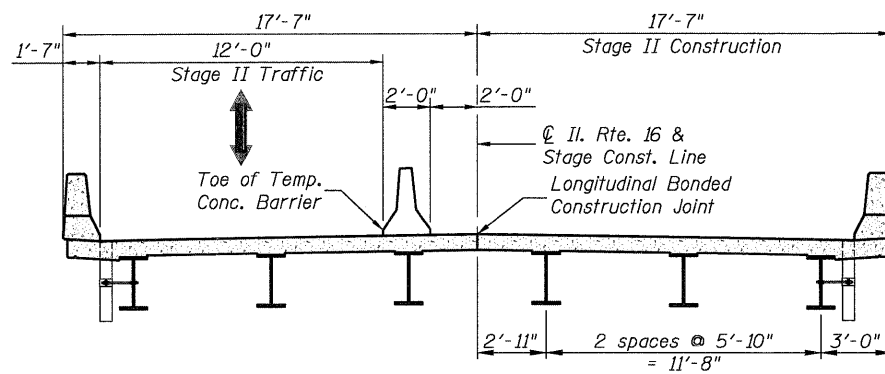
STAGE I DEMOLITION
(Looking East)



STAGE I CONSTRUCTION
(Looking East)



STAGE II DEMOLITION
(Looking East)

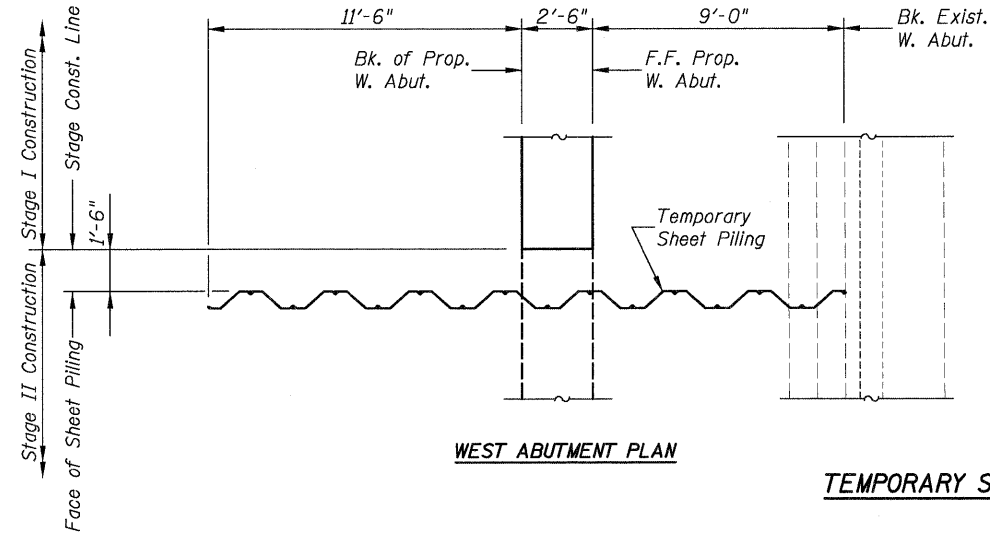


STAGE II CONSTRUCTION
(Looking East)

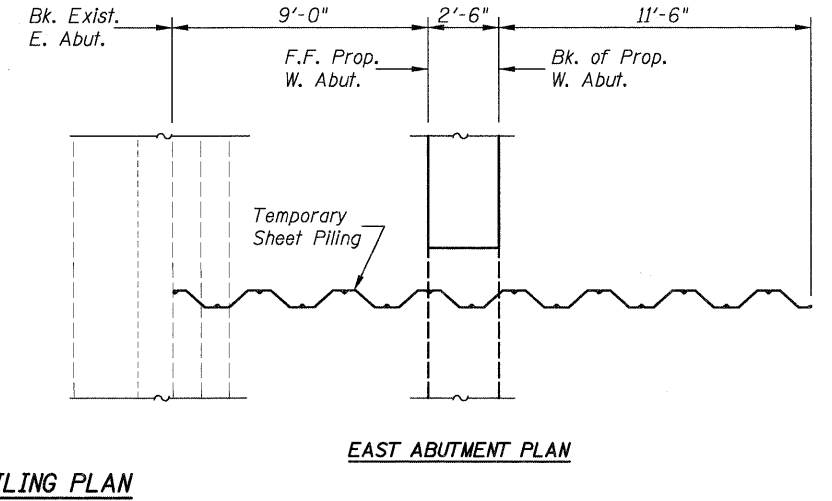
DESIGNED	K.M.M.
CHECKED	L.D.G.
DRAWN	K.H.L.
CHECKED	B.G.H.

NOTES

If the Contractor chooses to alter the temporary cantilevered sheet piling design requirements shown on the plans, a design submittal, including plan details and calculations, will be required for review and acceptance by the Engineer. The Contractor shall connect the first sheet to the existing abutment wall to ensure stability of sheets driven to the top of the existing footing. This connection shall be reviewed and accepted by the Engineer and included in the cost for Temporary Sheet Piling.

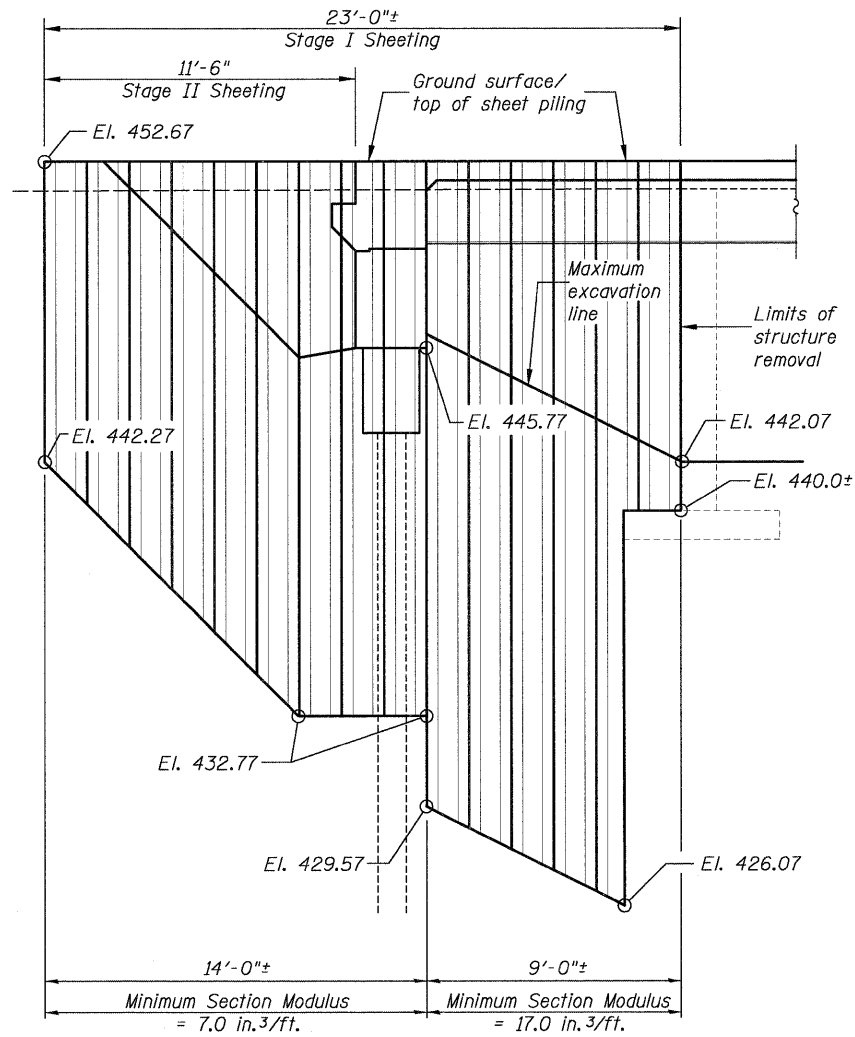


WEST ABUTMENT PLAN

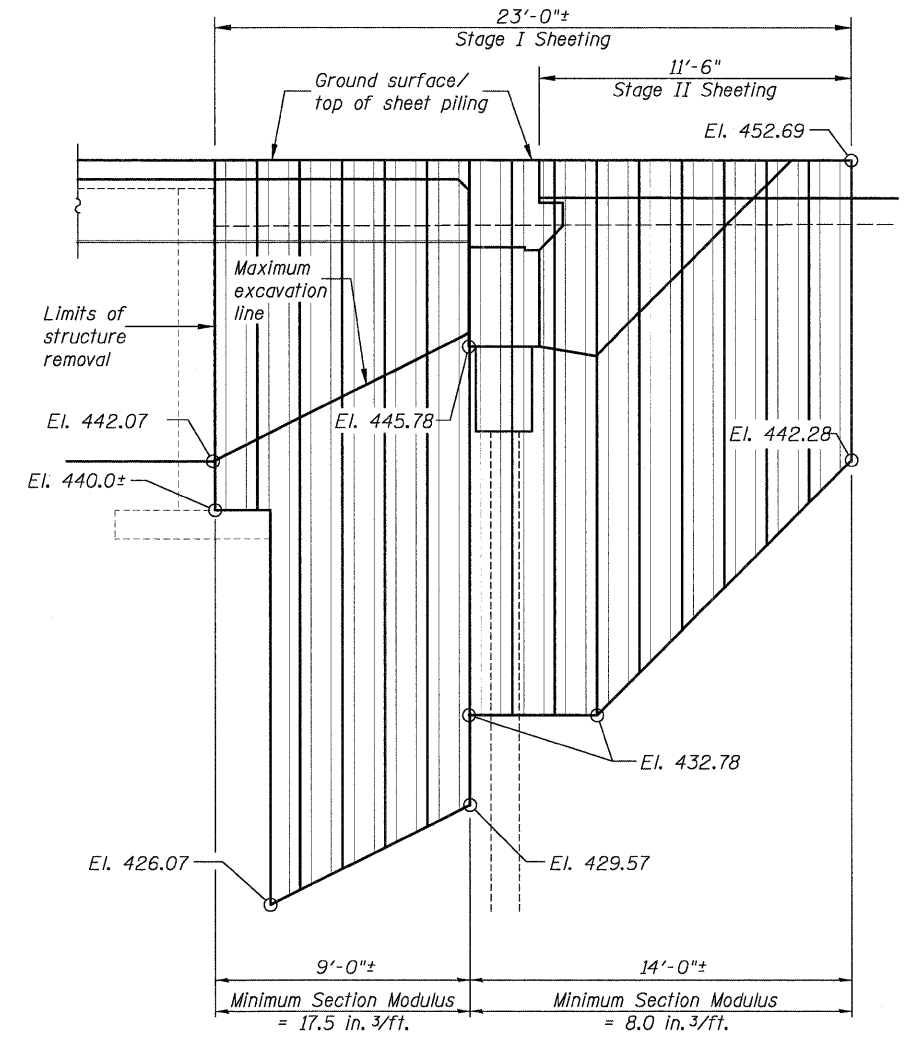


EAST ABUTMENT PLAN

TEMPORARY SHEET PILING PLAN



WEST ABUTMENT ELEVATION



EAST ABUTMENT ELEVATION

TEMPORARY SHEET PILING ELEVATION

STAGE CONSTRUCTION DETAILS

SHEET NO. 3 21 SHEETS	F.A.P. RTE.	SECTION	COUNTY	TOTAL SHEETS	SHEET NO.
	325	3BR-2	JERSEY	90	44
S.N. 042-0041			CONTRACT NO. 76B01		
FED. ROAD DIST. NO. ILLINOIS FED. AID PROJECT					