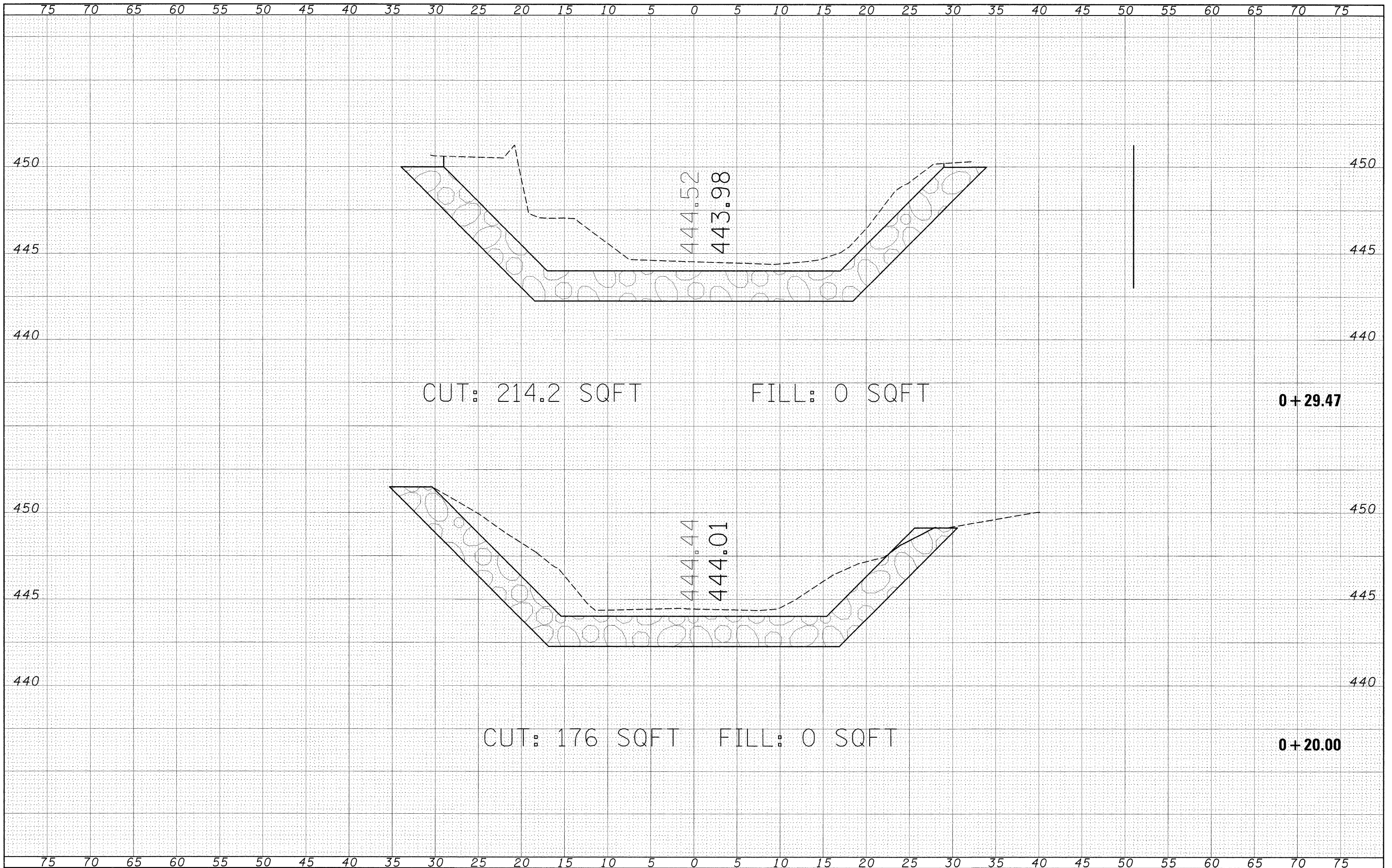


DATE	
BY	
SURVEYED	
PLOTTED	
TEMPLATE	
AREAS	
CHECKED	
FINAL SURVEY NOTE BOOK NO.	

DATE	
BY	
SURVEYED	
PLOTTED	
TEMPLATE	
AREAS	
CHECKED	
ORIGINAL SURVEY NOTE BOOK NO.	



FILE NAME = c:\pwork\pwork\mnn\m\dm51935\xsht02006.dgn

USER NAME = mnnm
 PLOT SCALE = 5.0000' / IN.
 PLOT DATE = 12/11/2008

DESIGNED -
 DRAWN -
 CHECKED -
 DATE -

REVISED -
 REVISED -
 REVISED -
 REVISED -

**STATE OF ILLINOIS
 DEPARTMENT OF TRANSPORTATION**

**BAUM BRANCH CREEK
 CROSS SECTIONS**

SCALE: SHEET NO. 2 OF 6 SHEETS STA. +20.00 TO STA. +29.47

F.A.P. RTE. 325	SECTION 3BR-2	COUNTY JERSEY	TOTAL SHEETS 90	SHEET NO. 83
CONTRACT NO. 76B01				
FED. ROAD DIST. NO. 8 ILLINOIS FED. AID PROJECT				