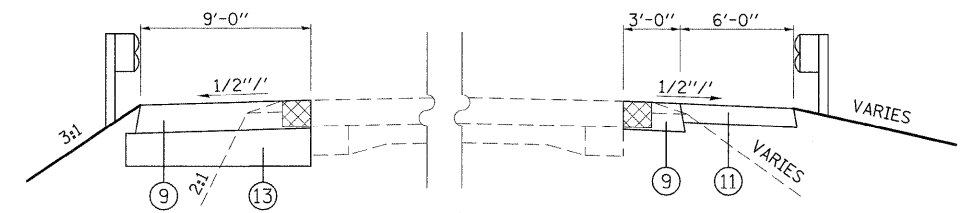


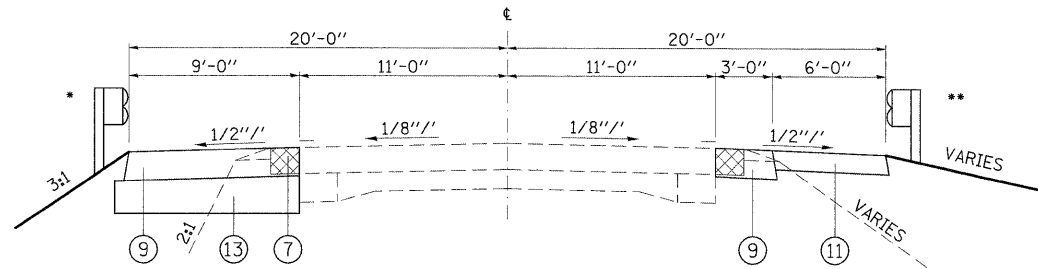
EXISTING TYPICAL SECTION

STA. 633+00 TO STA. 636+57.5
 STA. 639+42.5 TO STA. 642+00



PROPOSED WIDENING FOR STAGE CONSTRUCTION

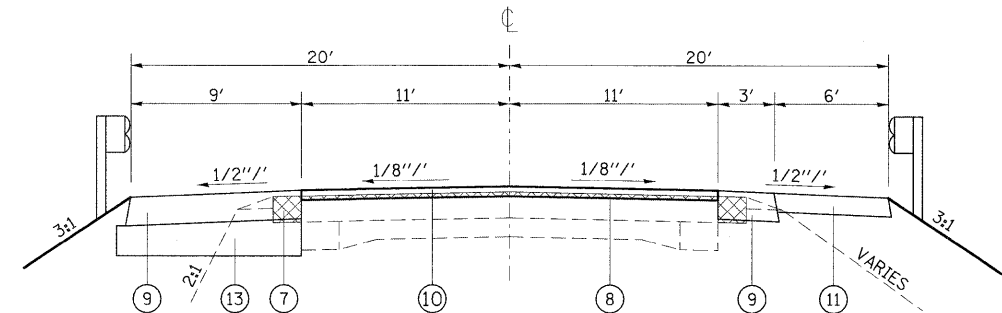
STA. 634+50 TO STA. 636+57.5
 STA. 639+60.5 TO STA. 642+00



PROPOSED TYPICAL SECTION

STA. 634+50 TO STA. 635+90

- STA. 635+14.5 TO STA. 635+90
- STA. 634+89.5 TO STA. 635+90



PROPOSED TYPICAL SECTION

STA. 635+90 TO STA. 636+46.5

| MIXTURE USE | SURFACE | BINDER / WIDENING | SHOULDERS | TOP LIFT SHOULDERS |
|--|----------------|-------------------|----------------|--------------------|
| AC/PG | PG 64-22 | PG 64-22 | PG 64-22 | PG 64-22 |
| RAP % (MAX) | 10% | 15% | 30% | 30% |
| DESIGN AIR VOIDS | 4.0% @ Ndes=70 | 4.0% @ Ndes=70 | 2.0% @ Ndes=30 | ••2.0% @ Ndes=30 |
| MIX COMPOSITION (GRADATION MIXTURE) | | IL 19.0 | | |
| FRICITION AGG | MIXTURE "D" | MIXTURE "B" | BAM | BAM |

•• TOP LIFT SHOULDERS - DESIGN THIS MIX AT 2.0% VOIDS AND ADD ASPHALT TO REDUCE VOIDS TO 1.5%.

PLAN QUANTITIES FOR BITUMINOUS CONCRETE SURFACE COURSE ITEMS ARE CALCULATED USING A UNIT WEIGHT OF 112 LB/SQ YD/IN (59.8 KG/SQ M/25 MM THICKNESS).

LEGEND

- ① EXISTING PCC PAVEMENT - 9'-6"-9"
- ② EXISTING BITUMINOUS SURFACE - ±8"
- ③ EXISTING WIDENING - 9"
- ④ EXISTING AGGREGATE SHOULDER
- ⑤ EDGE LINE STRIPE
- ⑥ EXISTING AGGREGATE BASE COURSE
- ⑦ PROPOSED PAVED SHOULDER REMOVAL
- ⑧ PROPOSED HOT-MIX ASPHALT SURFACE REMOVAL - BUTT JOINT
- ⑨ PROPOSED HOT-MIX ASPHALT BINDER COURSE - 9"
- ⑩ PROPOSED HOT-MIX ASPHALT SURFACE COURSE (VARIES)
- ⑪ PROPOSED AGGREGATE SHOULDER - 6"
- ⑫ PROPOSED AGGREGATE SURFACE COURSE - 6"
- ⑬ PROPOSED PROCESSING MODIFIED SOIL 12"

| | | | |
|---|-----------------------------|------------|-----------|
| FILE NAME = | USER NAME = harbaughrd | DESIGNED - | REVISED - |
| et\pw_work\pwidot\harbaughrd\dms52187\p | 2106a.dgn | DRAWN - | REVISED - |
| | PLOT SCALE = 50.0000' / IN. | CHECKED - | REVISED - |
| | PLOT DATE = 3/16/2009 | DATE - | REVISED - |

**STATE OF ILLINOIS
 DEPARTMENT OF TRANSPORTATION**

MAINLINE TYPICAL SECTIONS

SCALE: SHEET NO. 1 OF 2 SHEETS STA. TO STA.

| | | | | |
|---------------------|---------|---------------------------|-----------------|--------------|
| F.A.U. RTE. | SECTION | COUNTY | TOTAL SHEETS | SHEET NO. |
| 8956 | 598R-1 | MADISON | 75 | 5 |
| CONTRACT NO. 76B18 | | | | |
| FED. ROAD DIST. NO. | | ILLINOIS FED. AID PROJECT | | |