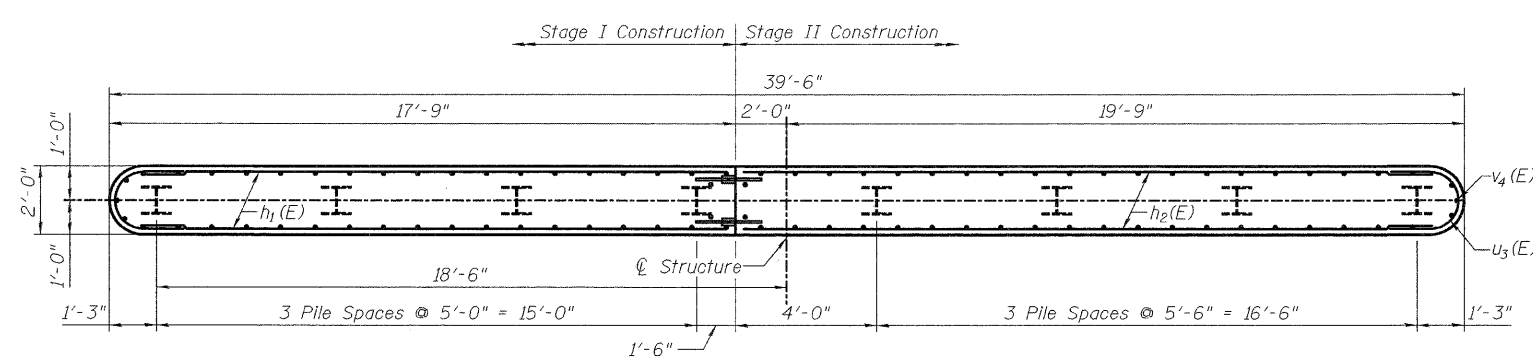
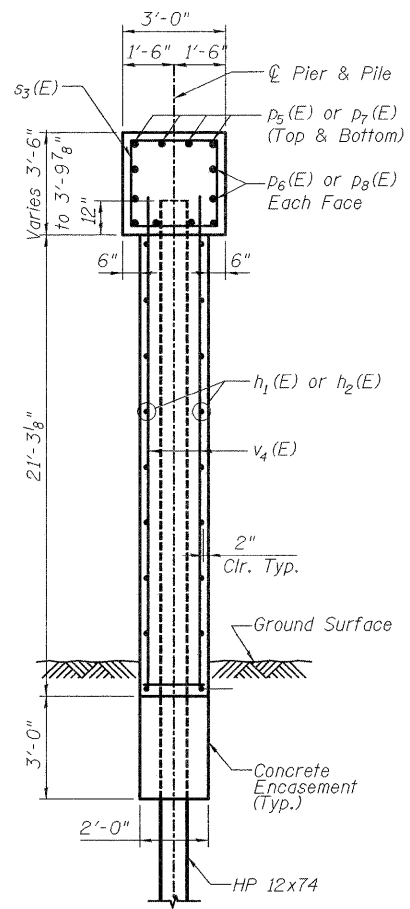
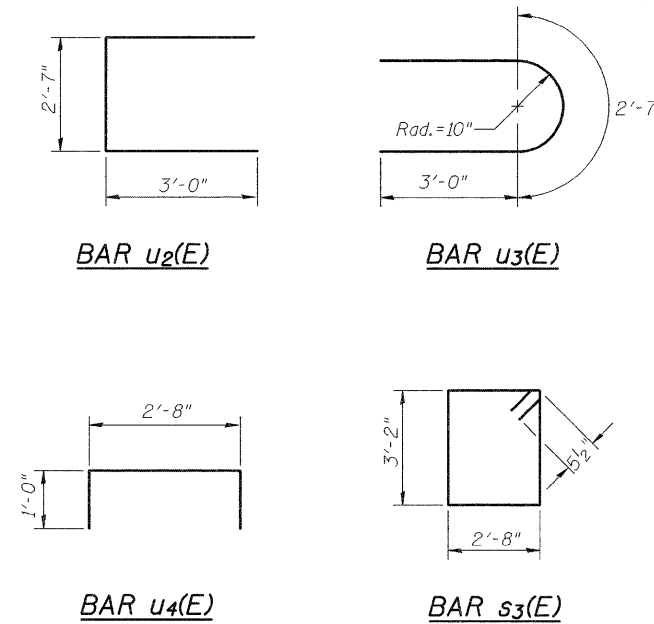


STATE OF ILLINOIS
DEPARTMENT OF TRANSPORTATION

PIER 2
BILL OF MATERIAL

Bar	No.	Size	Length	Shape
$h_1(E)$	44	#5	16'-6"	—
$h_2(E)$	44	#5	20'-6"	—
$p_5(E)$	8	#7	18'-0"	—
$p_6(E)$	4	#6	18'-0"	—
$p_7(E)$	8	#7	22'-0"	—
$p_8(E)$	4	#6	22'-0"	—
$p_9(E)$	4	#5	4'-10"	—
$s_3(E)$	43	#5	4'-10"	□
$u_2(E)$	8	#6	8'-7"	—
$u_3(E)$	44	#5	8'-7"	—
$u_4(E)$	5	#5	4'-8"	—
$v_4(E)$	82	#5	22'-6"	—
Structure Excavation			Cu. Yd.	13
Concrete Structures			Cu. Yd.	78.0
Reinforcement Bars, Epoxy Coated			Pound	5620
Furnishing Steel Piles HP12x74			Foot	574
Driving Piles			Foot	574
Test Pile Steel HP 12x74			Each	1
Bar Splicers			Each	56
Concrete Encasement			Cu. Yd.	2.8
Pile Shoes			Each	8



Notes:
Space reinforcement in cap to miss anchor bolts.
Pour steps monolithically with cap.
For HP Pile Details, see sheet 22 of 28.
For details of Bar Splicers, see Sheet 24 of 28.

PIER 2 DETAILS
ILLINOIS ROUTE 3 OVER
PIASA CREEK
F.A.U. ROUTE 8956 SEC 59BR-1
MADISON COUNTY
STATION 638+11.00
STRUCTURE NO. 060-0343

DESIGNED	DB
CHECKED	RS
DRAWN	ER
CHECKED	WWH

Juneau Associates, Inc. P.C.
CONSULTING ENGINEERS AND LAND SURVEYORS

2100 State Street
Granite City, Illinois 62040
Phone: (618) 977-1400
Fax: (618) 457-5541

100 North Research Drive
Edwardsville, Illinois 62026
Phone: (618) 659-0909/(618) 659-0000
Fax: (618) 659-0941

Registered Professional Service Corporation License No. 184-003389

SHEET NO. 21 28 SHEETS	F.A.U. RTE.	SECTION	COUNTY	TOTAL SHEETS	SHEET NO.
	8956	59BR-1	MADISON		50
STRUCTURE NO. 060-0343		CONTRACT NO. 76B18			
FED. ROAD DIST. NO.		ILLINOIS FED. AID PROJECT			