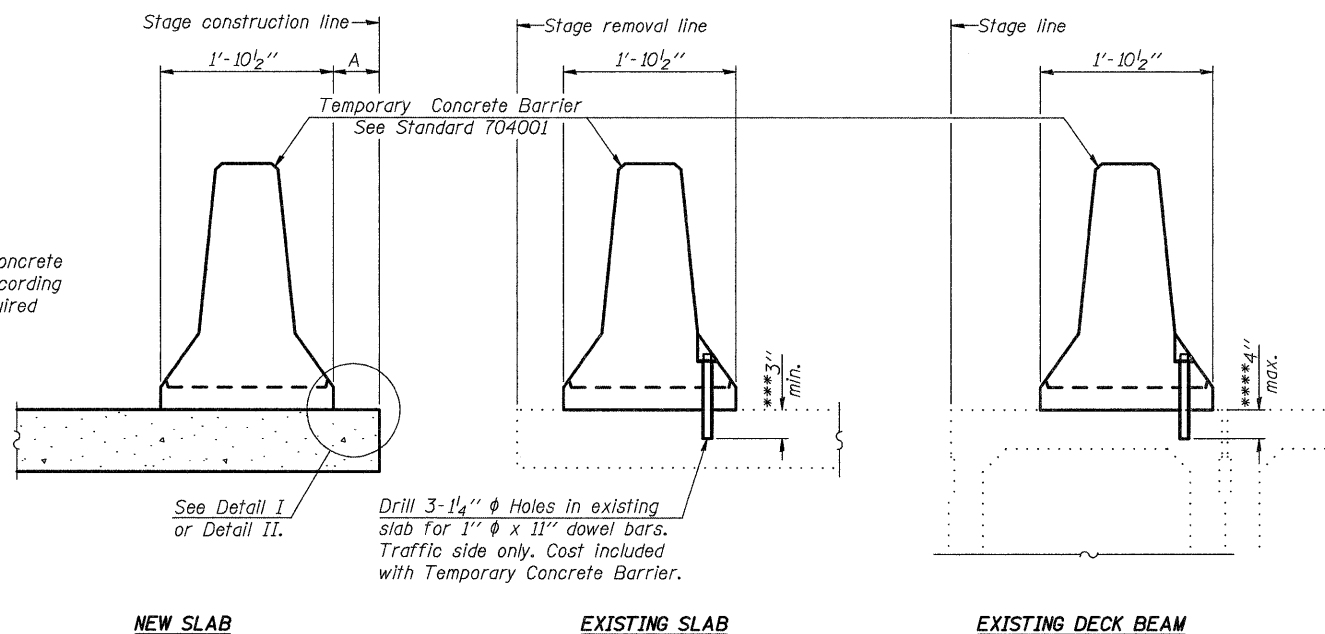


STATE OF ILLINOIS  
DEPARTMENT OF TRANSPORTATION

When "A" is 3'-6" or less, the temporary concrete barrier shall be anchored to the new slab according to Detail I or Detail II. No anchorage is required when "A" is greater than 3'-6".



Drill 3-1/4"  $\phi$  Holes in existing slab for 1"  $\phi$  x 11" dowel bars. Traffic side only. Cost included with Temporary Concrete Barrier.

**NOTES**

Detail I - With Bar Splicer or Couplers:  
Connect one (1) 1"x7"x10" steel  $\bar{R}$  to the top layer of couplers with 2-5/8"  $\phi$  bolts screwed to coupler at approximate  $\bar{C}$  of each barrier panel.

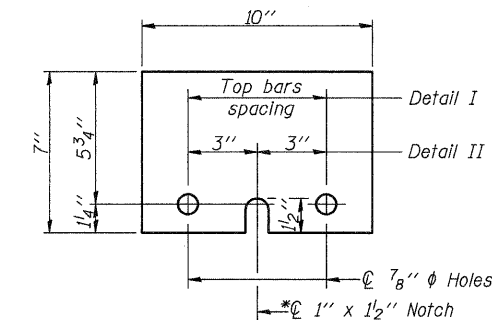
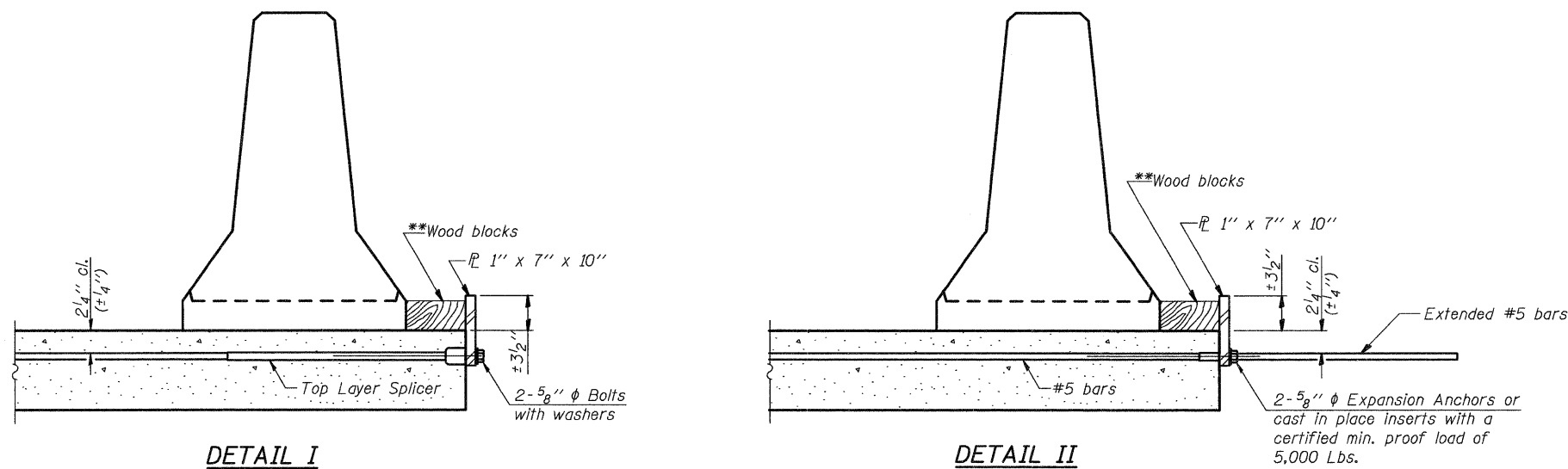
Detail II - With Extended Reinforcement Bars:  
Connect one (1) 1"x7"x10" steel  $\bar{R}$  to the concrete slab or concrete wearing surface with 2-5/8"  $\phi$  Expansion Anchors or cast in place Inserts spaced between the top layer of reinforcement at approximate  $\bar{C}$  of each barrier panel.

Cost of anchorage is included with Temporary Concrete Barrier. The 1" x 7" x 10" plate shall not be removed until stage II construction forms and all reinforcement bars are in place and the concrete is ready to be placed.

\*\*\*Dimension shown is minimum required embedment into concrete. If hot-mix asphalt wearing surface is present, minimum embedment shall be in addition to wearing surface depth.

\*\*\*If existing deck beam is to remain in place after stage construction, embedment shall only be into wearing surface and not into existing deck beam concrete.

**SECTIONS THRU SLAB OR DECK BEAM**

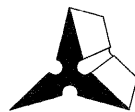


**STEEL RETAINER 1" x 7" x 10"**  
\*Required only with Detail II

**TEMPORARY CONCRETE  
BARRIER DETAILS  
ILLINOIS ROUTE 3 OVER  
PIASA CREEK  
F.A.U. ROUTE 8956 SEC 59BR-1  
MADISON COUNTY  
STATION 638+11.00  
STRUCTURE NO. 060-0343**

\*\*Wood blocks may be omitted when required to provide minimum stage traffic lane width. When the wood blocks are omitted, the concrete barrier shall be in direct contact with the steel retainer plate.

DESIGNED	DB
CHECKED	RS
DRAWN	ER
CHECKED	WWH



**Juneau Associates, Inc. P.C.**  
CONSULTING ENGINEERS AND LAND SURVEYORS  
2130 State Street  
Grafton City, Illinois 62040  
Phone: (618) 977-1400  
Fax: (618) 452-9541  
100 North Research Drive  
Edwardsville, Illinois 62025  
Phone: (618) 659-0900/(618) 659-0800  
Fax: (618) 659-0941  
Registered Professional Service Corporation License No. 184-003389

SHEET NO. 23	F.A.U. RTE.	SECTION	COUNTY	TOTAL SHEETS	SHEET NO.
	8956	59BR-1	MADISON	75	52
28 SHEETS	STRUCTURE NO. 060-0343		CONTRACT NO. 76B18		
FED. ROAD DIST. NO.		ILLINOIS	FED. AID PROJECT		