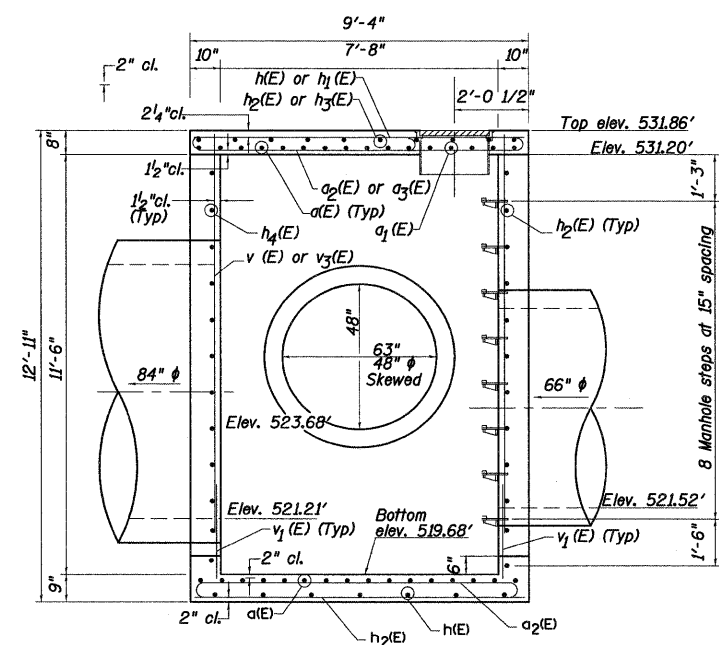
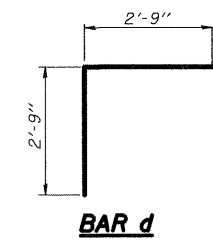


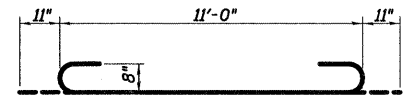
**PLAN VIEW**



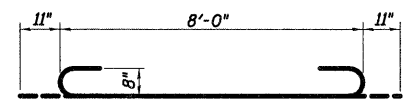
**SECTION VIEW A-A**



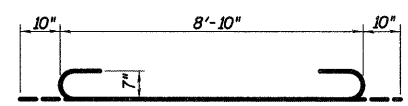
**BAR d**



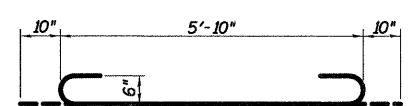
**BAR a(E)**



**BAR a\_1(E)**

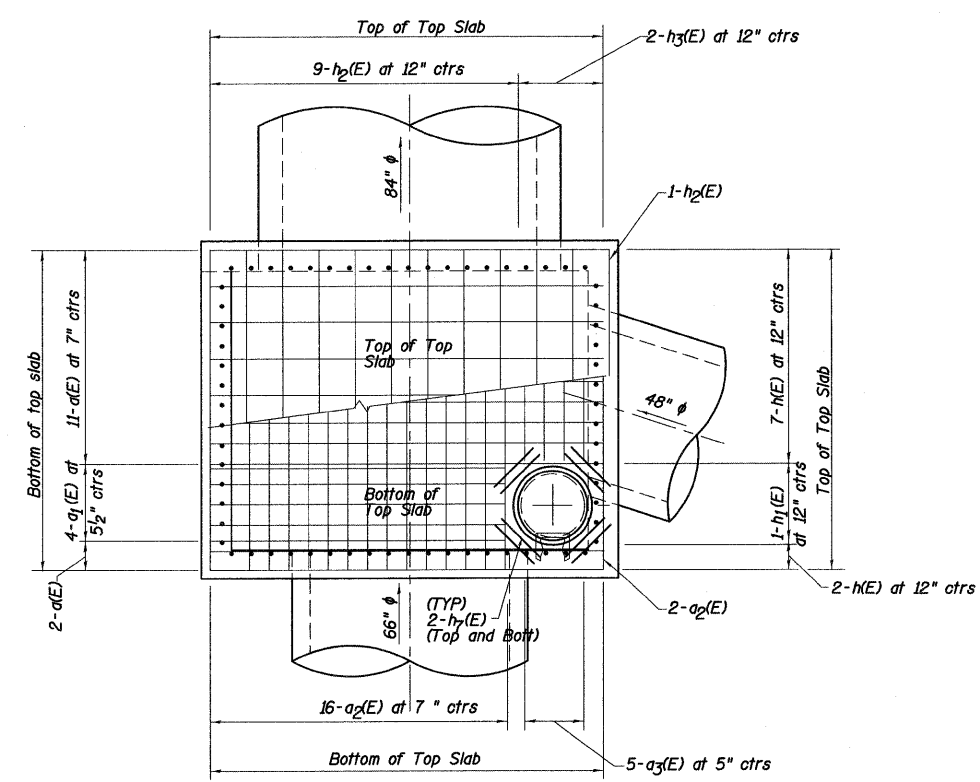


**BAR a\_2(E)**

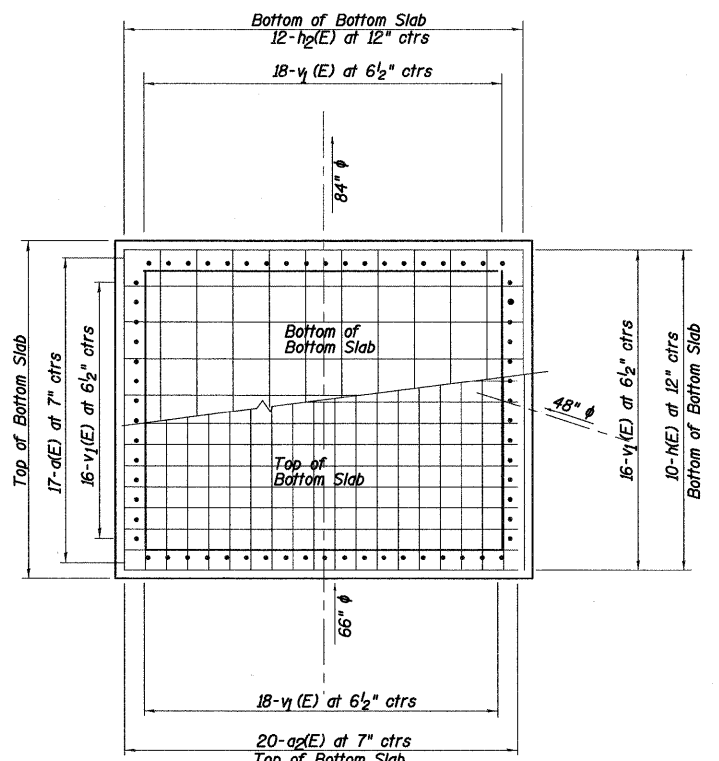


**BAR a\_3(E)**

**NOTES**  
 Reinforcement bars shall conform to the requirements of ASTM A 706 Gr 60. See Special Provisions.  
 Reinforcement bars designated (E) shall be epoxy coated.  
 Class SI concrete shall be used throughout.  
 All construction joints shall be bonded.  
 The minimum bar lap #4 bars is 1'-4".



**TOP SLAB**



**BOTTOM SLAB**

**BILL OF MATERIAL (FOR INFORMATION ONLY)**

Bar	No.	Size	Length	Shape
a	30	#8	12'-10"	U
a <sub>1</sub>	4	#8	9'-10"	U
a <sub>2</sub>	38	#7	10'-6"	U
a <sub>3</sub>	5	#7	7'-6"	U
d	44	#7	5'-6"	L
h	19	#4	11'-0"	—
h <sub>1</sub>	1	#4	8'-0"	—
h <sub>2</sub>	22	#4	8'-10"	—
h <sub>3</sub>	2	#4	5'-10"	—
h <sub>4</sub>	11	#7	10'-5"	—
h <sub>5</sub>	21	#7	8'-3"	—
h <sub>6</sub>	28	#7	4'-0"	—
h <sub>7</sub>	16	#7	2'-0"	—
v	32	#4	11'-3"	—
v <sub>1</sub>	68	#4	2'-4"	—
v <sub>2</sub>	12	#4	3'-5"	—
v <sub>3</sub>	14	#4	2'-0"	—
v <sub>4</sub>	10	#4	3'-3"	—
v <sub>5</sub>	10	#4	2'-3"	—
Manhole Steps			Each	8
Type 5 Frame				
Closed Lid			Each	1
Concrete Box Culverts			Cu. Yd.	15.7
Reinforcement Bars (Epoxy Coated)			Pound	3630