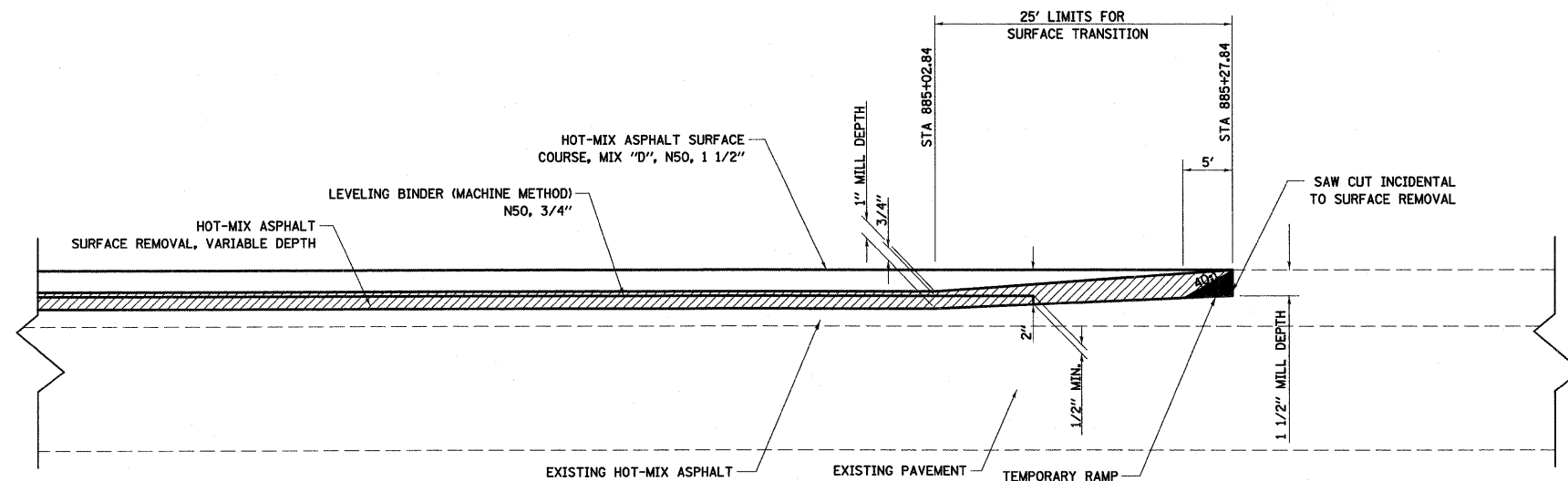
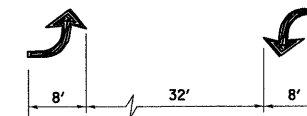


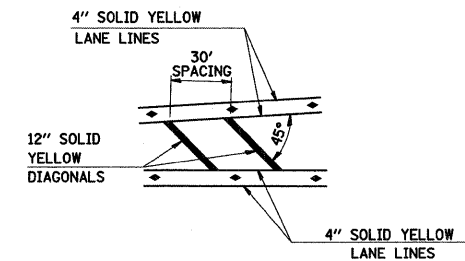
DETAIL OF BEGINNING SURFACE TRANSITION
NOT TO SCALE



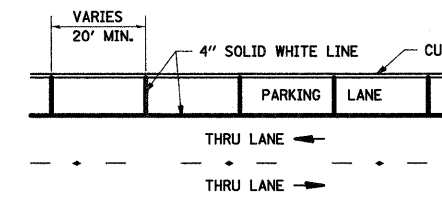
DETAIL OF ENDING SURFACE TRANSITION
NOT TO SCALE



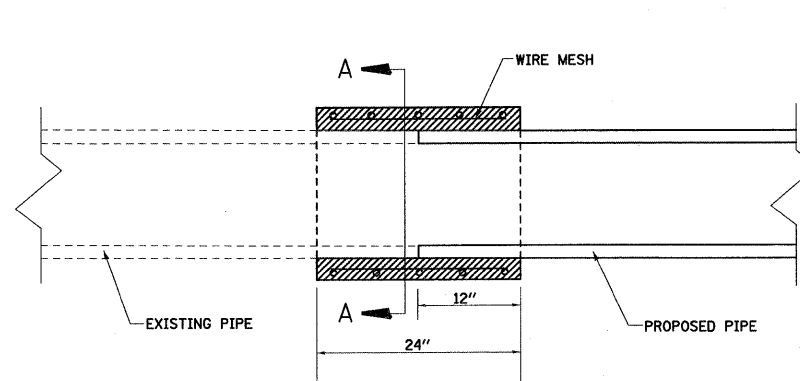
**BI-DIRECTIONAL
TURN ARROW**
@ 200' O. C.



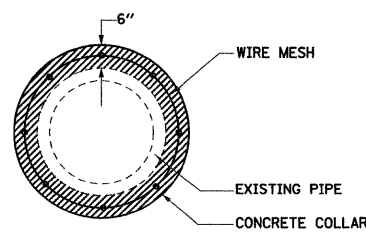
**TYPICAL APPLICATION
FOR MEDIAN STRIPING**



TYPICAL PARKING LANE MARKINGS

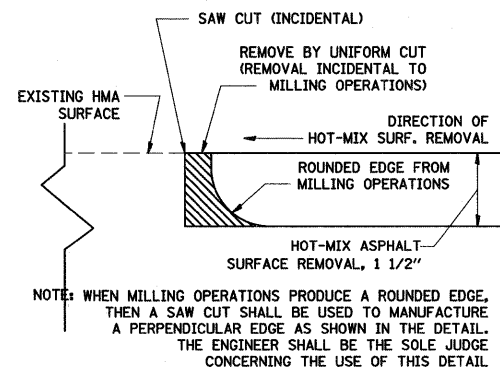


CONCRETE COLLAR DETAIL OPTION
NOT TO SCALE

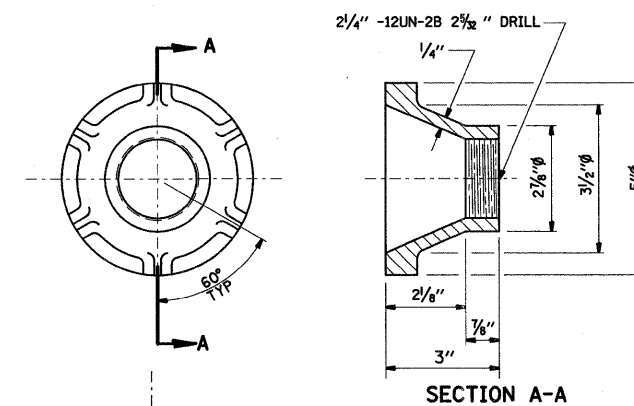


SECTION A-A

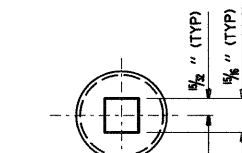
NOTE:
CLASS SI CONCRETE SHALL BE USED.



MILLING DETAIL AT SURFACE TRANSITION
NOT TO SCALE



**CAST IRON SURVEY
MONUMENT COVER**



THREADED BRASS CAP

NOTES:

- ALL DIMENSIONS ARE IN INCHES.
- ALL RADII ARE 3/8" UNLESS SPECIFIED.
- ALL CHAMFERS ARE 45°.
- ROUND ALL SHARP EDGES.
- USE THREADS AND DIMENSIONS AS SPECIFIED OR EQUIVALENT WITH THE APPROVAL OF THE ENGINEER.
- THE SURVEY MONUMENT COVER ASSEMBLY SHOWN IS AN EXAMPLE. OTHER MODELS, SIMILAR IN DESIGN, MAY BE USED WITH THE APPROVAL OF THE ENGINEER.
- THE THREADS OF THE CAP AND COVER WILL BE COATED WITH PIPE TAPE OR PIPE THREAD COMPOUND PRIOR TO INSTALLATION.

FILE NAME =	USER NAME = paul	DESIGNED - ESW	REVISED -	STATE OF ILLINOIS DEPARTMENT OF TRANSPORTATION	MISCELLANEOUS DETAILS	F.A.P. RTE. 690	SECTION 41X-RS-1	COUNTY MADISON	TOTAL SHEETS 58	SHEET NO. 45		
S:\Projects\407-0029-4RY IL 160 (HIGHLAND)\dgn\CADD Sheets\0876C35-shr-detailed.dgn	PLOT SCALE = 28.0000' / IN.	DRAWN - WJS	REVISED -			SCALE: NONE	SHEET NO. 3 OF 3 SHEETS	STA. TO STA.	FED. ROAD DIST. NO. ILLINOIS FED. AID PROJECT	CONTRACT NO. 76C35		
	PLOT DATE = 1/14/2009	CHECKED - BRM	REVISED -									
		DATE - 10-2-08	REVISED -									