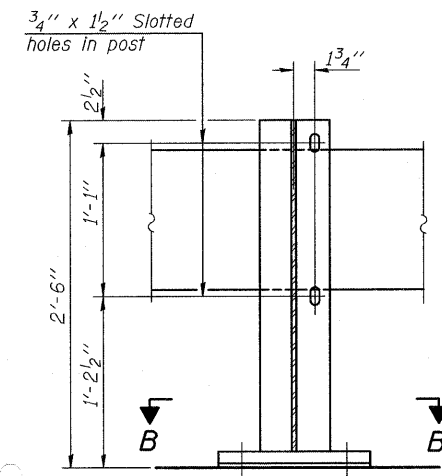
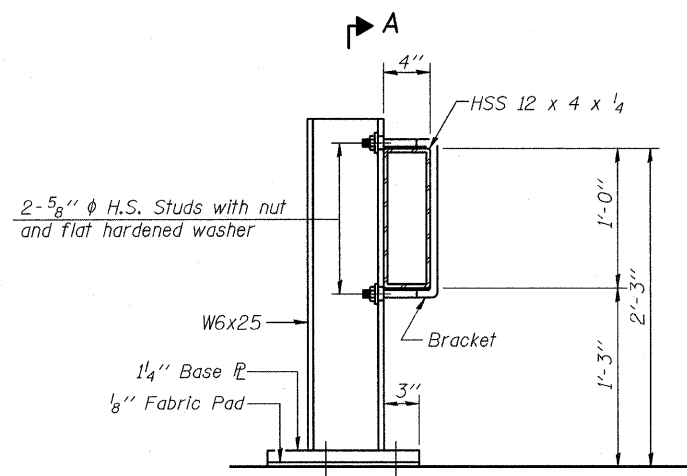


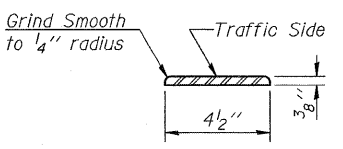
STATE OF ILLINOIS
DEPARTMENT OF TRANSPORTATION



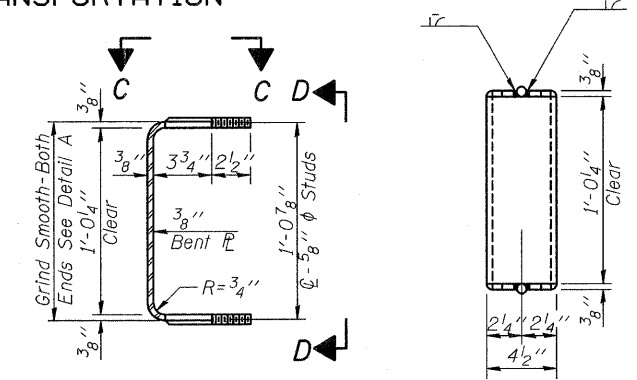
SECTION A-A



SECTION AT RAIL POST

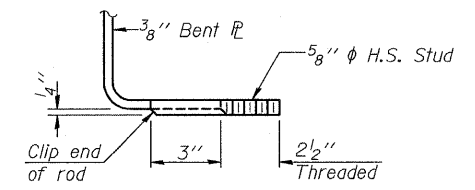


DETAIL A

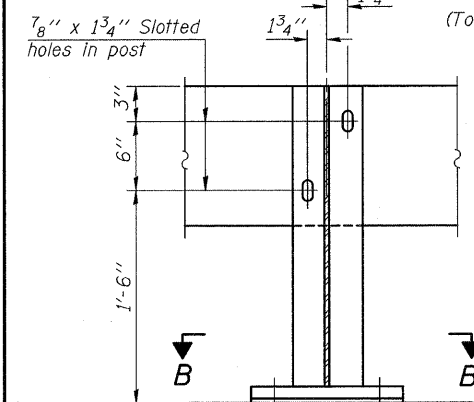


SECTION THRU BRACKET

VIEW D-D



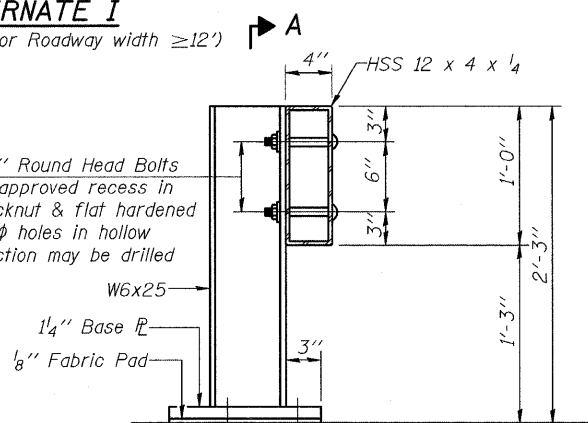
VIEW E-E



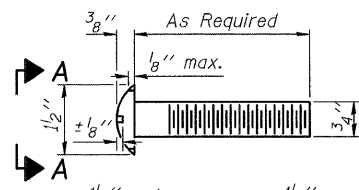
SECTION A-A

ALTERNATE I
(To be used only for Roadway width $\geq 12'$)

2-3/4" ϕ x 6" Round Head Bolts (With slot or approved recess in head) with locknut & flat hardened washer. 7/8" ϕ holes in hollow structural section may be drilled in the field.

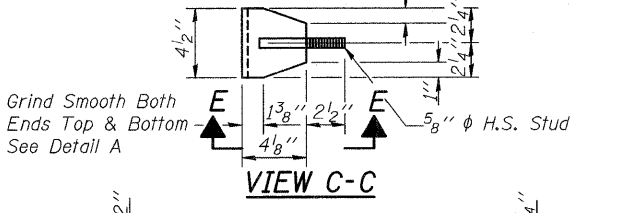
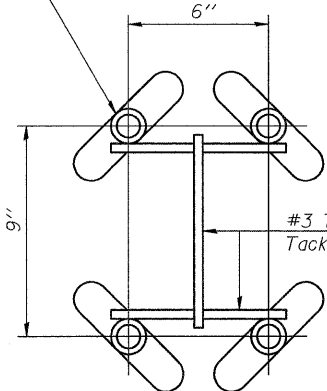


SECTION AT RAIL POST

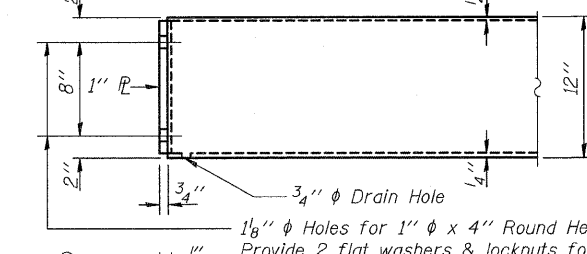


VIEW A-A ROUND HEAD BOLT

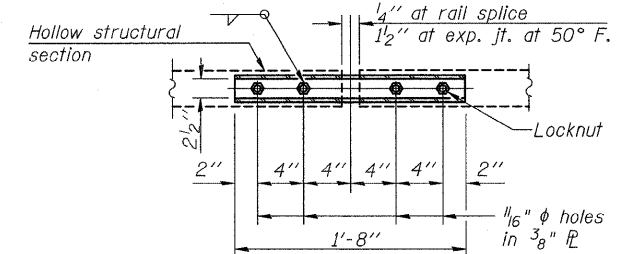
1" ϕ Flared thin slab ferrule insert. Electroplated according to ASTM B 633 Service Condition 4.



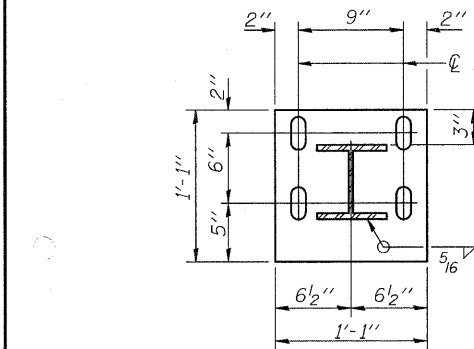
VIEW C-C



END OF RAIL DETAILS

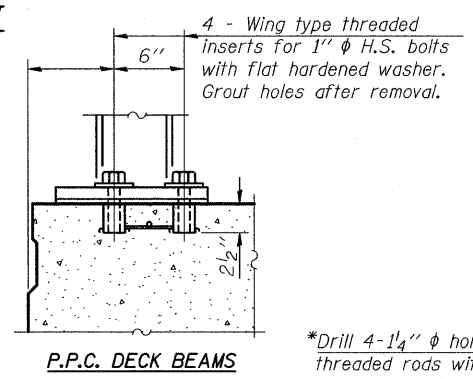


Notes:
Nominal Rail Post spacing shall be 6'-3" o.c.
The contact surfaces between post flange, rail and inside face of bracket for Alternate I shall be free of all lubricants.
The nut for 5/8" ϕ high strength studs used in Alternate I to connect bracket to post shall be tightened to a snug fit and given an additional one half turn.



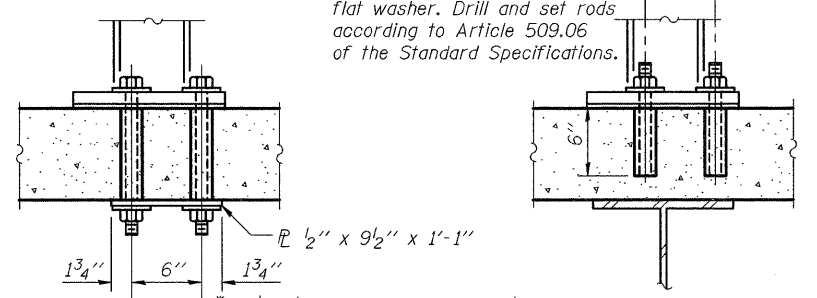
SECTION B-B

*Drilled holes for existing deck.

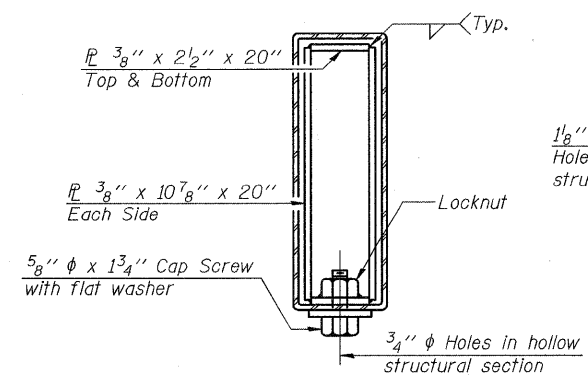


P.P.C. DECK BEAMS

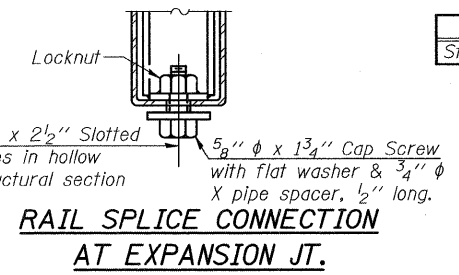
*Drill 4-1 1/4" ϕ holes for 1" ϕ threaded rods with hex nut and flat washer. Drill and set rods according to Article 509.06 of the Standard Specifications.



NEW & EXISTING DECKS ANCHORAGE DETAILS



SECTION AT RAIL SPLICE



BILL OF MATERIAL

| Item | Unit | Quantity |
|---------------------------|------|----------|
| Steel Railing (Temporary) | Foot | 126 |

STEEL RAILING (TEMPORARY)
IL ROUTE 242 OVER
SHELTON CREEK
STATION 470+76

| |
|-------------------|
| DESIGNED - C.J.W. |
| CHECKED - C.L.S. |
| DRAWN - J.L.R. |
| CHECKED - C.J.W. |

| | | | | | |
|--------------------------|--------------------|---------------------------|--------------------|--------------------|-----------------|
| SHEET NO. 6 26 SHEETS | F.A.P. RTE. 776 | SECTION (102)B-1 | COUNTY HAMILTON | TOTAL SHEETS 53 | SHEET NO. 33 |
| | S.N. 033-0053 | | CONTRACT NO. 78016 | | |
| FED. ROAD DIST. NO. | | ILLINOIS FED. AID PROJECT | | | |

