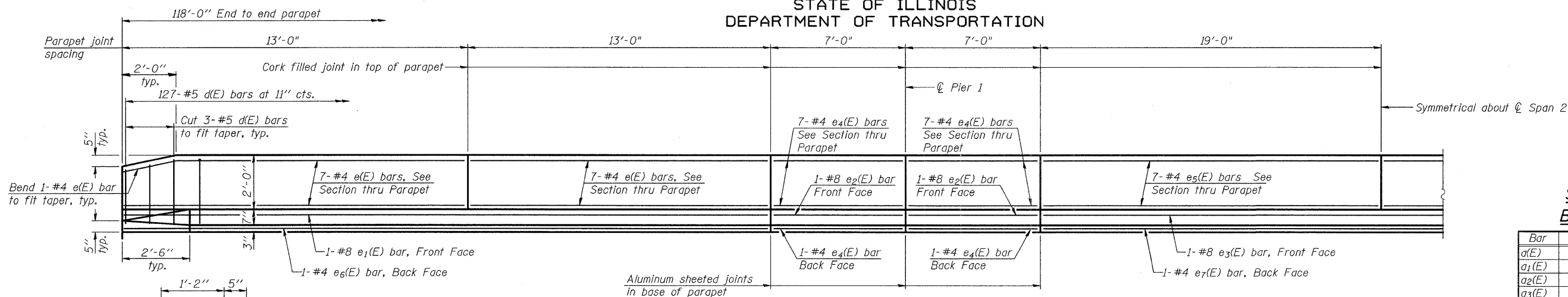
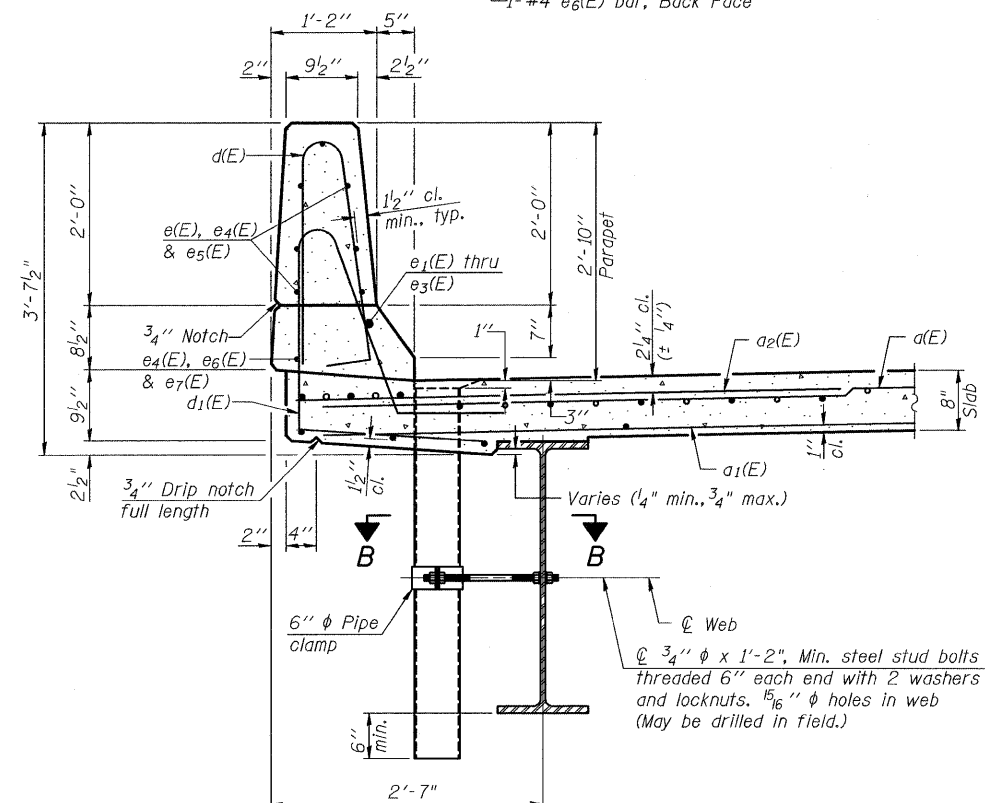


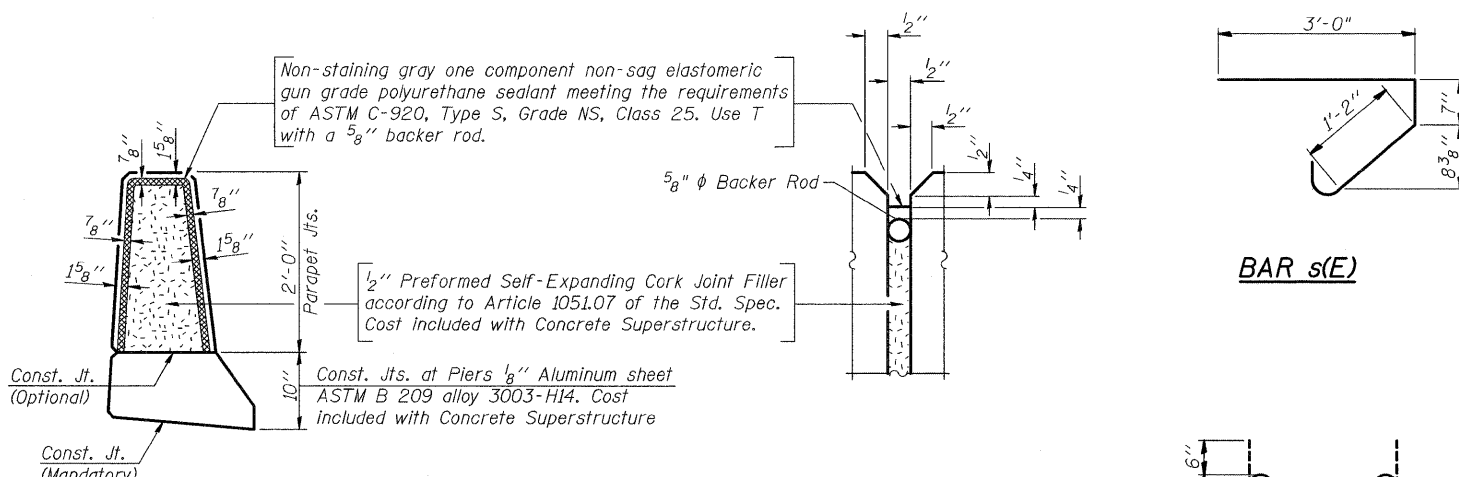
STATE OF ILLINOIS
DEPARTMENT OF TRANSPORTATION



INSIDE ELEVATION OF PARAPET



SECTION THRU PARAPET



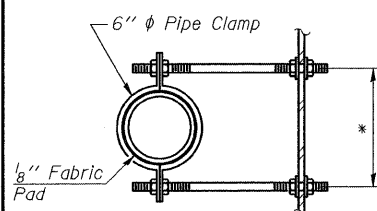
PARAPET JOINT DETAILS

Notes:
The exterior surfaces of the floor drains shall be painted with the finish coat as specified in the special provisions for Cleaning and Painting New Metal Structures. The exterior surfaces of the drains shall be cleaned according to Steel Structures Painting Council's Spec. SSPC-SP1 prior to painting. Fiberglass pipe shall conform to ASTM D 2996, with short-time rupture strength hoop tensile stress of 30,000 p.s.i. minimum. Drains shall be located clear of all diaphragms.

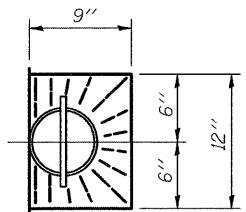
SUPERSTRUCTURE
BILL OF MATERIAL

Bar	No.	Size	Length	Shape
a(E)	402	#5	17'-3"	—
a1(E)	282	#5	17'-3"	—
a2(E)	400	#6	6'-0"	—
a3(E)	8	#5	17'-6"	—
b(E)	152	#5	30'-9"	—
b1(E)	68	#6	17'-3"	—
b2(E)	144	#5	30'-9"	—
d(E)	254	#5	5'-7"	⌒
d1(E)	258	#5	7'-5"	⌒
e(E)	56	#4	12'-8"	—
e1(E)	4	#8	25'-8"	—
e2(E)	8	#8	6'-8"	—
e3(E)	2	#8	37'-8"	—
e4(E)	64	#4	6'-8"	—
e5(E)	28	#4	18'-8"	—
e6(E)	4	#4	25'-8"	—
e7(E)	2	#4	37'-8"	—
m(E)	8	#6	16'-7"	—
m1(E)	12	#6	17'-3"	—
m2(E)	24	#6	7'-7"	—
m3(E)	4	#6	2'-3"	—
m4(E)	8	#6	5'-9"	—
m5(E)	4	#6	2'-8"	—
s(E)	72	#5	5'-3"	⌒
s1(E)	72	#4	7'-8"	⌒
v(E)	68	#5	3'-4"	⌒
Reinforcement Bars, Epoxy Coated	Pound		34,513	
Concrete Superstructure	Cu. Yds.		149.3	
Bar Splicers	Each		429	

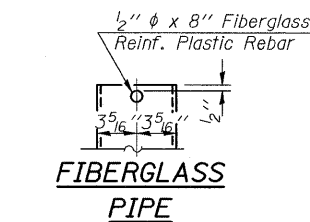
For details of Bar Splicers, see sheet 24 of 26.



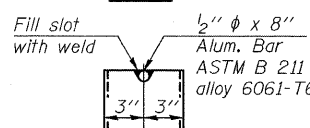
SECTION B-B



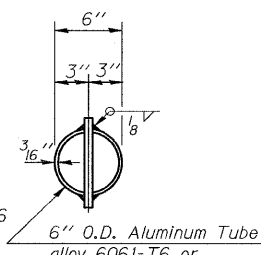
TOP PLAN



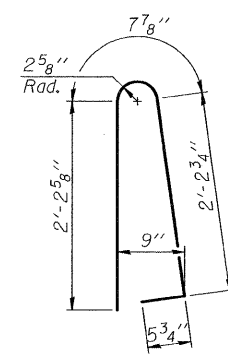
FIBERGLASS PIPE



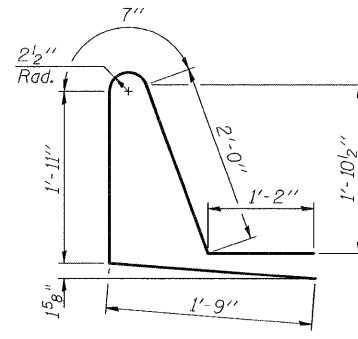
ALUMINUM TUBE



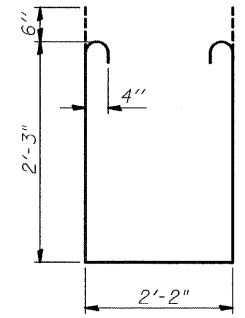
TOP PLAN (Showing Aluminum Tube)



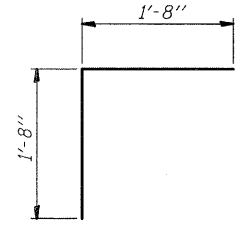
BAR d(E)



BAR d1(E)



BAR s(E)



BAR v(E)

SUPERSTRUCTURE DETAILS
IL ROUTE 242 OVER
SHELTON CREEK
STATION 470+76

DESIGNED - CJW
CHECKED - VDP
DRAWN - JLR
CHECKED - CJW

S-I-D 9-3-07

SHEET NO. 14 26 SHEETS	F.A.P. RTE. 776	SECTION (102)B-1	COUNTY HAMILTON	TOTAL SHEETS 53	SHEET NO. 41
	S.N. 033-0053		CONTRACT NO. 78016		
FED. ROAD DIST. NO. ILLINOIS FED. AID PROJECT					

