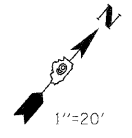


| FAP R/L                   | SECTION        | COUNTY                          | TOTAL SHEETS | SHEET NO. |
|---------------------------|----------------|---------------------------------|--------------|-----------|
| 331                       | 3-2, BX-1, 4-2 | SALINE                          |              | 106       |
| STA. _____                |                | TO STA. _____                   |              |           |
| FED. ROAD DIST. NO. _____ |                | ILLINOIS FED. AID PROJECT _____ |              |           |

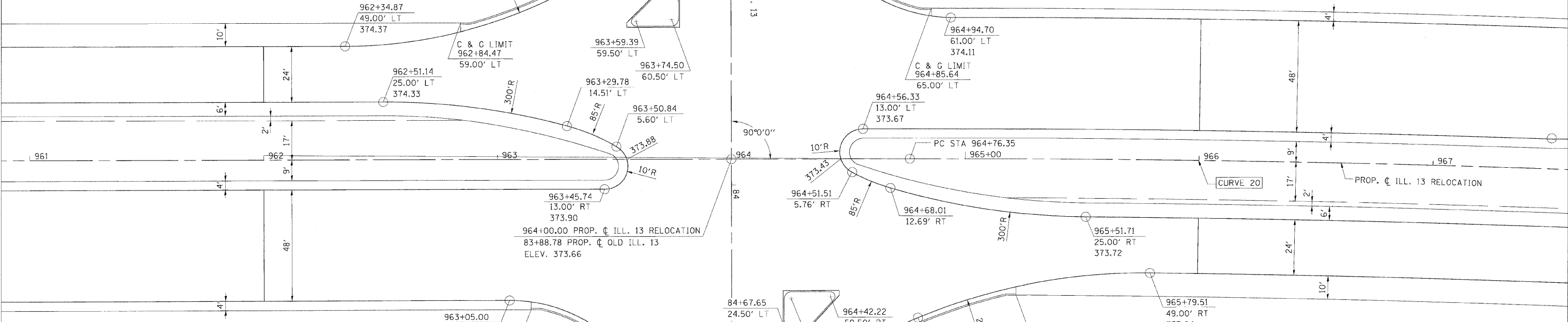


**NW PROP. ILL. 13 RELOCATION / PROP. OLD ILL. 13**

| STATIONING ALONG PROP. ILL. 13 RELOCATION | OFFSET TO E.P. FEET | EDGE OF PAV'T. ELEV. FEET | STATIONING ALONG PROP. OLD ILL. 13 | OFFSET TO E.P. FEET | DISTANCE ALONG RADIUS FEET | GEOMETRIC DESCRIPTION |
|---|---------------------|---------------------------|------------------------------------|---------------------|----------------------------|-----------------------|
|   |                     | 372.92                    | 82+36.48                           | 18.00               | 10.00                      | PC                    |
|   |                     | 372.99                    | 82+46.43                           | 18.86               | 10.00                      |                       |
|   |                     | 373.07                    | 82+56.23                           | 20.82               | 10.00                      |                       |
|   |                     | 373.14                    | 82+65.76                           | 23.85               | 10.00                      |                       |
|   |                     | 373.21                    | 82+74.89                           | 27.92               | 10.00                      |                       |
|   |                     | 373.28                    | 82+83.51                           | 32.97               | 10.00                      |                       |
|   |                     | 373.36                    | 82+91.52                           | 38.95               | 10.00                      |                       |
|   |                     | 373.43                    | 82+98.82                           | 45.78               | 10.00                      |                       |
|   |                     | 373.50                    | 83+05.31                           | 53.38               | 10.00                      |                       |
|   |                     | 373.57                    | 83+10.69                           | 61.26               | 9.54                       | PCC                   |
| 963+38.35                                 | 77.85               | 373.58                    | 83+10.92                           | 61.65               | 0.46                       |                       |
| 963+29.67                                 | 72.89               | 373.65                    | 83+15.88                           | 70.33               | 10.00                      |                       |
| 963+20.75                                 | 68.38               | 373.72                    | 83+20.40                           | 79.25               | 10.00                      |                       |
| 963+11.61                                 | 64.31               | 373.80                    |                                    |                     | 10.00                      |                       |
| 963+02.29                                 | 60.71               | 373.87                    |                                    |                     | 10.00                      |                       |
| 962+92.79                                 | 57.57               | 373.94                    |                                    |                     | 10.00                      |                       |
| 962+83.15                                 | 54.92               | 374.01                    |                                    |                     | 10.00                      |                       |
| 962+73.39                                 | 52.75               | 374.09                    |                                    |                     | 10.00                      |                       |
| 962+63.53                                 | 51.07               | 374.16                    |                                    |                     | 10.00                      |                       |
| 962+53.61                                 | 49.88               | 374.23                    |                                    |                     | 10.00                      |                       |
| 962+43.63                                 | 49.19               | 374.31                    |                                    |                     | 10.00                      |                       |
| 962+34.87                                 | 49.00               | 374.37                    |                                    |                     | 8.76                       | PT                    |

**NE PROP. ILL. 13 RELOCATION / PROP. OLD ILL. 13**

| STATIONING ALONG PROP. ILL. 13 RELOCATION | OFFSET TO E.P. FEET | EDGE OF PAV'T. ELEV. FEET | STATIONING ALONG PROP. OLD ILL. 13 | OFFSET TO E.P. FEET | DISTANCE ALONG RADIUS FEET | GEOMETRIC DESCRIPTION |
|---|---------------------|---------------------------|------------------------------------|---------------------|----------------------------|-----------------------|
|   |                     | 374.11                    |                                    |                     |                            | PC                    |
| 964+94.70                                 | 61.00               | 374.11                    |                                    |                     |                            |                       |
| 964+84.82                                 | 61.77               | 374.02                    |                                    |                     | 10.00                      |                       |
| 964+75.17                                 | 64.08               | 373.92                    |                                    |                     | 10.00                      |                       |
| 964+65.91                                 | 67.85               | 373.83                    | 83+20.93                           | 65.91               | 10.00                      |                       |
| 964+57.35                                 | 72.99               | 373.74                    | 83+15.78                           | 57.35               | 10.00                      |                       |
|   |                     | 373.64                    | 83+09.39                           | 49.68               | 10.00                      |                       |
|   |                     | 373.55                    | 83+01.89                           | 43.07               | 10.00                      |                       |
|   |                     | 373.46                    | 82+93.47                           | 37.69               | 10.00                      |                       |
|   |                     | 373.38                    | 82+86.22                           | 34.37               | 7.99                       | PCC                   |
|   |                     | 373.36                    | 82+84.34                           | 33.65               | 2.01                       |                       |
|   |                     | 373.27                    | 82+74.91                           | 30.31               | 10.00                      |                       |
|   |                     | 373.18                    | 82+65.36                           | 27.35               | 10.00                      |                       |
|   |                     | 373.08                    | 82+55.70                           | 24.77               | 10.00                      |                       |
|   |                     | 372.99                    | 82+45.94                           | 22.58               | 10.00                      |                       |
|   |                     | 372.90                    | 82+36.11                           | 20.79               | 10.00                      |                       |
|   |                     | 372.80                    | 82+26.21                           | 19.39               | 10.00                      |                       |
|   |                     | 372.71                    | 82+16.45                           | 18.41               | 10.00                      |                       |
|   |                     | 372.62                    | 82+06.82                           | 18.01               | 10.00                      |                       |
|   |                     | 372.60                    | 82+05.22                           | 18.00               | 1.67                       | PT                    |



**SW PROP. ILL. 13 RELOCATION / PROP. OLD ILL. 13**

| STATIONING ALONG PROP. ILL. 13 RELOCATION | OFFSET TO E.P. FEET | EDGE OF PAV'T. ELEV. FEET | STATIONING ALONG PROP. OLD ILL. 13 | OFFSET TO E.P. FEET | DISTANCE ALONG RADIUS FEET | GEOMETRIC DESCRIPTION |
|---|---------------------|---------------------------|------------------------------------|---------------------|----------------------------|-----------------------|
|   |                     | 373.98                    |                                    |                     |                            | PC                    |
| 963+05.00                                 | 61.00               | 373.98                    |                                    |                     |                            |                       |
| 963+14.96                                 | 61.77               | 373.87                    |                                    |                     | 10.00                      |                       |
| 963+24.69                                 | 64.05               | 373.76                    |                                    |                     | 10.00                      |                       |
| 963+33.95                                 | 67.80               | 373.66                    | 84+56.58                           | 66.05               | 10.00                      |                       |
| 963+42.52                                 | 72.92               | 373.55                    | 84+61.70                           | 57.48               | 10.00                      |                       |
| 963+50.21                                 | 79.30               | 373.44                    | 84+68.08                           | 49.79               | 10.00                      |                       |
| 963+56.84                                 | 86.78               | 373.33                    | 84+75.56                           | 43.17               | 10.00                      |                       |
| 963+62.23                                 | 95.19               | 373.23                    | 84+83.96                           | 37.77               | 10.00                      |                       |
|   |                     | 373.13                    | 84+91.75                           | 34.22               | 8.56                       | PCC                   |
|   |                     | 373.12                    | 84+93.09                           | 33.71               | 1.44                       |                       |
|   |                     | 373.01                    | 85+02.53                           | 30.41               | 10.00                      |                       |
|   |                     | 372.90                    | 85+12.10                           | 27.49               | 10.00                      |                       |
|   |                     | 372.80                    | 85+21.77                           | 24.95               | 10.00                      |                       |
|   |                     | 372.69                    | 85+31.54                           | 22.81               | 10.00                      |                       |
|   |                     | 372.58                    | 85+41.38                           | 21.05               | 10.00                      |                       |
|   |                     | 372.47                    | 85+51.29                           | 19.69               | 10.00                      |                       |
|   |                     | 372.37                    | 85+61.24                           | 18.73               | 10.00                      |                       |
|   |                     | 372.26                    | 85+71.22                           | 18.17               | 10.00                      |                       |
|   |                     | 372.16                    | 85+80.32                           | 18.00               | 9.10                       | PT                    |

**SE PROP. ILL. 13 RELOCATION / PROP. OLD ILL. 13**

| STATIONING ALONG PROP. ILL. 13 RELOCATION | OFFSET TO E.P. FEET | EDGE OF PAV'T. ELEV. FEET | STATIONING ALONG PROP. OLD ILL. 13 | OFFSET TO E.P. FEET | DISTANCE ALONG RADIUS FEET | GEOMETRIC DESCRIPTION |
|---|---------------------|---------------------------|------------------------------------|---------------------|----------------------------|-----------------------|
|   |                     | 372.46                    | 85+49.89                           | 18.00               |                            | PC                    |
|   |                     | 372.49                    | 85+39.91                           | 18.50               | 10.00                      |                       |
|   |                     | 372.51                    | 85+30.03                           | 19.99               | 10.00                      |                       |
|   |                     | 372.54                    | 85+20.34                           | 22.47               | 10.00                      |                       |
|   |                     | 372.57                    | 85+10.95                           | 25.84               | 10.00                      |                       |
|   |                     | 372.59                    | 85+01.95                           | 30.24               | 10.00                      |                       |
|   |                     | 372.62                    | 84+93.43                           | 35.47               | 10.00                      |                       |
|   |                     | 372.65                    | 84+85.47                           | 41.52               | 10.00                      |                       |
|   |                     | 372.67                    | 84+78.16                           | 48.33               | 10.00                      |                       |
|   |                     | 372.70                    | 84+71.56                           | 55.84               | 10.00                      |                       |
| 964+63.97                                 | 76.97               | 372.72                    | 85+65.75                           | 63.97               | 10.00                      |                       |
| 964+72.64                                 | 72.00               | 372.75                    | 84+60.77                           | 72.64               | 10.00                      |                       |
| 964+79.72                                 | 68.75               | 372.77                    | 84+57.52                           | 79.67               | 7.76                       | PCC                   |
| 964+81.81                                 | 67.90               | 372.78                    | 84+56.68                           | 81.76               | 2.24                       |                       |
| 964+91.23                                 | 64.32               | 372.80                    |                                    |                     | 10.00                      |                       |
| 965+00.78                                 | 61.11               | 372.83                    |                                    |                     | 10.00                      |                       |
| 965+10.44                                 | 58.27               | 372.86                    |                                    |                     | 10.00                      |                       |
| 965+20.20                                 | 55.80               | 372.88                    |                                    |                     | 10.00                      |                       |
| 965+30.05                                 | 53.71               | 372.91                    |                                    |                     | 10.00                      |                       |
| 965+39.97                                 | 52.00               | 372.94                    |                                    |                     | 10.00                      |                       |
| 965+49.95                                 | 50.67               | 372.96                    |                                    |                     | 10.00                      |                       |
| 965+59.97                                 | 49.73               | 372.99                    |                                    |                     | 10.00                      |                       |
| 965+70.02                                 | 49.17               | 373.02                    |                                    |                     | 10.00                      |                       |
| 965+79.51                                 | 49.00               | 373.04                    |                                    |                     | 9.44                       | PT                    |

CHECKED BY: PLOT DATE: 2/2/2009  
DRAWN BY: PLOT SCALE: 1/8"=1'-0"

M:\PROJECTS\PROJ\3526\ROADWAY\COMMON\Reference Files\Geometric\40013\_01.dgn