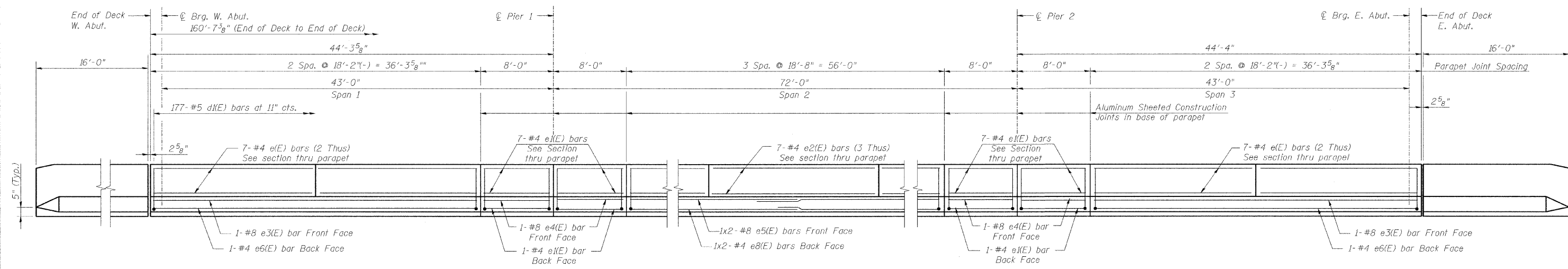


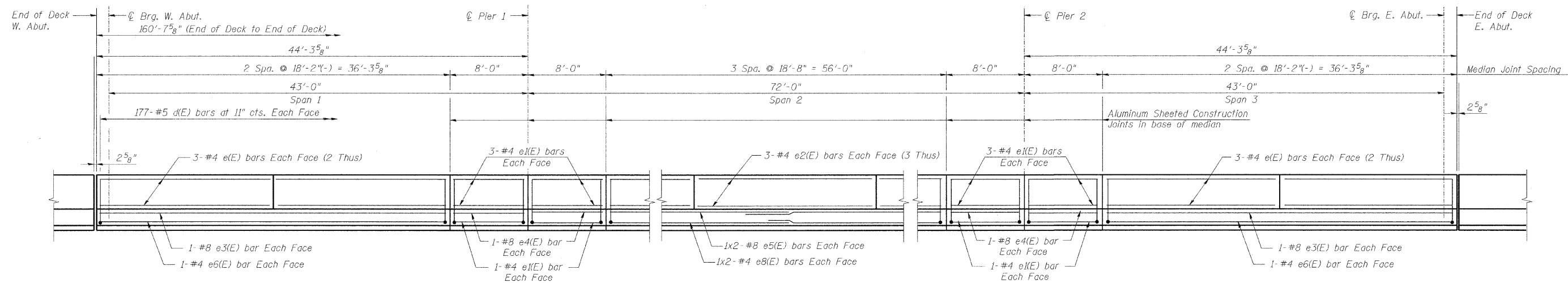
ROUTE No.	SECTION	COUNTY	TOTAL SHEETS	SHEET NO.
F.A.P. 331	(8X-1)B	SALINE CO.	220	127
STA.		TO STA.		
F.H.W.A. REGION		ILLINOIS	PROJECT	

Contract # 78058



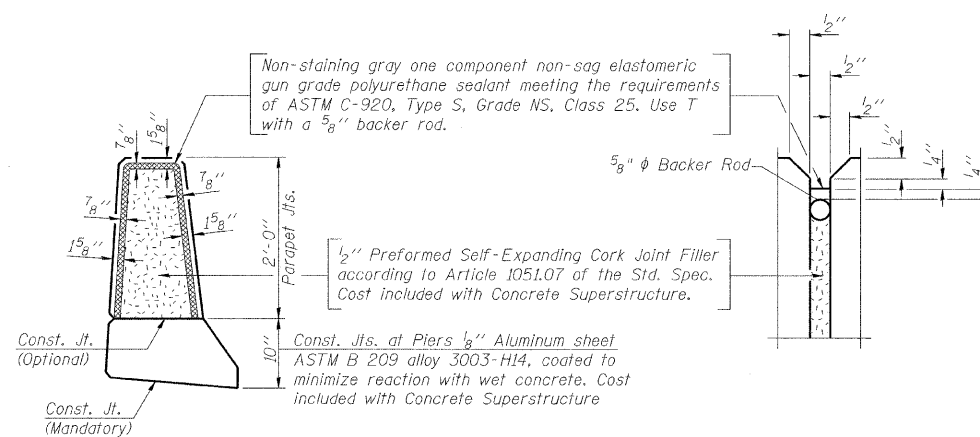
INSIDE ELEVATION OF PARAPET

All dimensions are along toe of parapet
(N. Parapet shown, S. Parapet similar)



ELEVATION OF MEDIAN

All dimensions are along toe of median projected along the local tangent



PARAPET JOINT DETAILS

(Parapet Joints shown, Median Joint Details similar)

NOTES:

1. Reinforcement bars designated (E) shall be epoxy coated.
2. Bars indicated thus: 3x2 - #5 etc. indicates 3 lines of #5 bars with 2 lengths per line.
3. Use the following minimum lap lengths unless otherwise noted:
 #4 - 1'-8"
 #5 - 2'-2"
 #6 - 2'-7"
 #8 - 4'-6"
4. For Section thru Parapet and Median see Sheet S9.
5. Work this sheet with Sheets S7, S8, and S9.
6. All e(E) bars shall not pass through aluminum sheets.

DESIGNED	KWS
CHECKED	MRB
DRAWN	LM
CHECKED	MRB

ILLINOIS DEPARTMENT OF TRANSPORTATION
RELOCATED ILLINOIS ROUTE 13 OVER
HARRISBURG DITCH
F.A.P. 331 SECTION (8X-1)B

**PARAPET AND MEDIAN
ELEVATION AND DETAILS**

SN: 083-0060
SALINE CO., IL.

STA. 1013+38.50
DATE: FEB 4, 2009