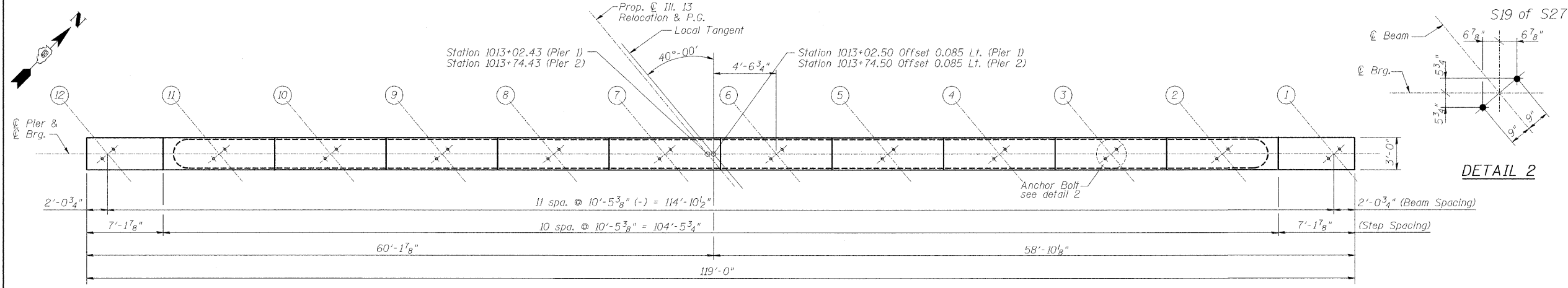


ROUTE NO.	SECTION	COUNTY	TOTAL SHEETS	SHEET NO.
F.A.P. 331	(8X-1)B	SALINE CO.	220	136
STA.		TO STA.		
F.H.W.A. REGION		ILLINOIS	PROJECT	

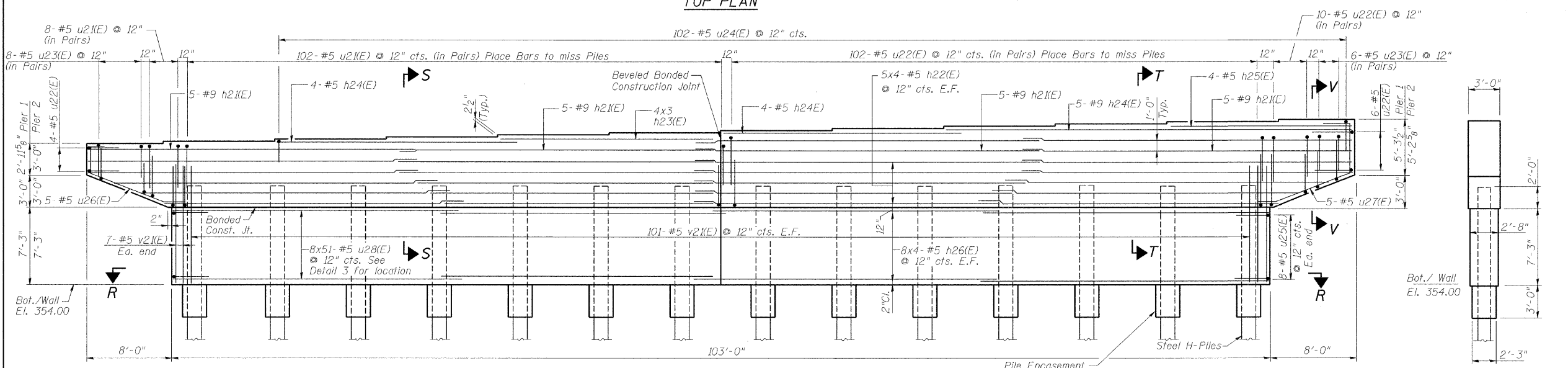
Contract # 78058
BILL OF MATERIAL
(2 Piers shown)

Bar	No.	Size	Length	Shape
h21(E)	40	#9	35'-10"	—
h22(E)	80	#5	32'-0"	—
h23(E)	24	#5	28'-5"	—
h24(E)	24	#5	23'-0"	—
h25(E)	8	#5	17'-3"	—
h26(E)	128	#5	27'-9"	—
h27(E)	10	#9	38'-2"	—
u21(E)	220	#5	11'-6"	□
u22(E)	244	#5	12'-2"	□
u23(E)	28	#5	9'-4"	□
u24(E)	204	#5	8'-8"	□
u25(E)	32	#5	9'-8"	□
u26(E)	10	#5	15'-5"	⌋
u27(E)	10	#5	17'-7"	⌋
u28(E)	816	#4	3'-7"	⌋
v21(E)	432	#5	10'-1"	—

Pay Item	Unit	Total
Structure Excavation	Cu. Yd.	102
Concrete Structures	Cu. Yd.	326
Reinf. Bars, Epoxy Coated	Pound	29,000
Furn. Steel Piles HP14x73	Foot	1876
Driving Piles	Foot	1876
Concrete Encasement	Cu. Yd.	15.2

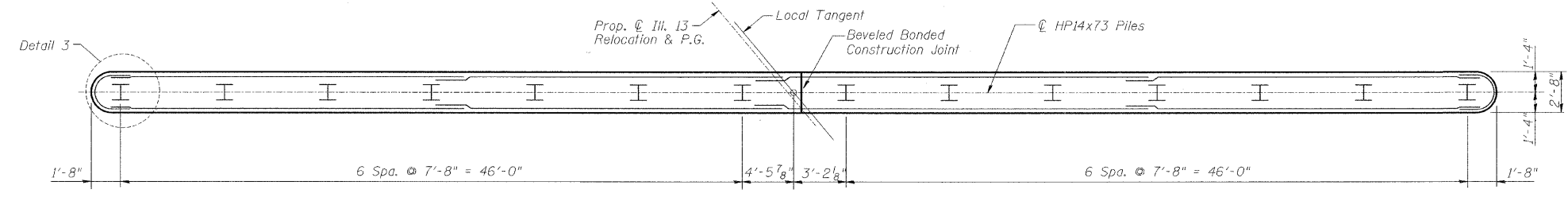


TOP PLAN



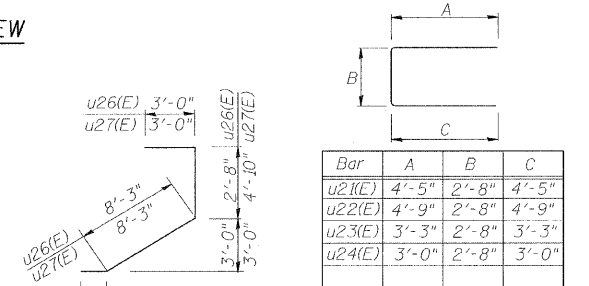
ELEVATION
(Looking West)

END VIEW



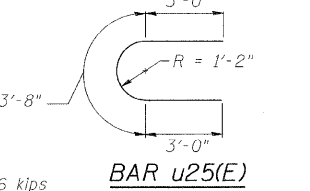
SECTION R-R

BAR u28(E)

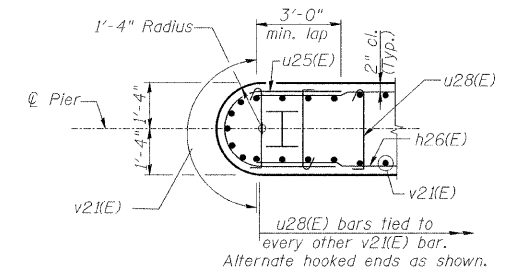


BARS u21(E) thru u24(E)

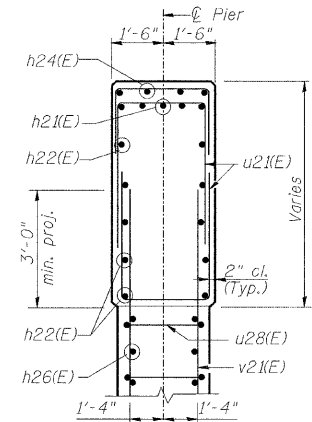
BAR u26(E) & u27(E)



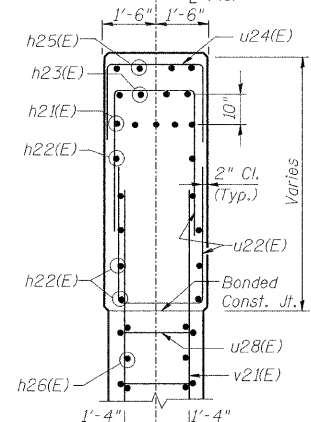
BAR u25(E)



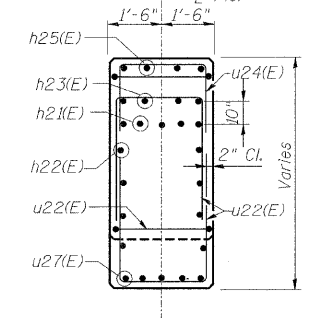
DETAIL 3



SECTION S-S



SECTION T-T



SECTION V-V

BEAM SEAT ELEVATION

Beam	Pier 1	Pier 2
1	369.54	369.47
2	369.33	369.27
3	369.12	369.08
4	368.92	368.88
5	368.71	368.68
6	368.50	368.47
7	368.29	368.27
8	368.08	368.07
9	367.87	367.87
10	367.65	367.66
11	367.44	367.46
12	367.22	367.25

NOTES:

- All Bar dimensions are out to out.
- Pour steps monolithically with Pier cap.
- Space Reinforcing Bars to miss Anchor Bolts.
- Use the following minimum lap lengths unless otherwise noted: #5 - 3'-0"; #9 - 8'-1"
- E.F. denotes Each Face.
- Bars indicates thus: 8x4-#5 etc., indicates 8 lines of #5 bars with 4 lengths per line.
- If a portion of the pier wall or concrete encasement is under water, reinforcement may be placed underwater into forms. Concrete shall be tremied according to Article 503.08 of the Standard Specifications to an elevation of 1'-0" above water line at the time of construction.

PILE DATA

Type: HP14x73
Nominal Required Bearing: 576 kips
Allowable Resistance Available: 192 kips
Est. Length: 67 ft.
No. Production Piles: 28

DESIGNED	WZ
CHECKED	MRB
DRAWN	AR
CHECKED	HMA

benesch
alfred benesch & company
Engineers • Surveyors • Planners
205 North Michigan Avenue, Suite 2400
Chicago, Illinois 60601
312-565-0450
JOB NO. 3526

ILLINOIS DEPARTMENT OF TRANSPORTATION
RELOCATED ILLINOIS ROUTE 13 OVER
HARRISBURG DITCH
F.A.P. 331 SECTION (8X-1)B
PIER 1 AND 2 DETAILS
SN: 083-0060
SALINE CO., IL.
STA. 1013+38.50
DATE: FEB 4, 2009