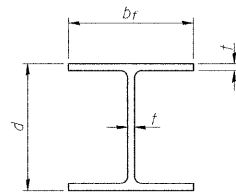


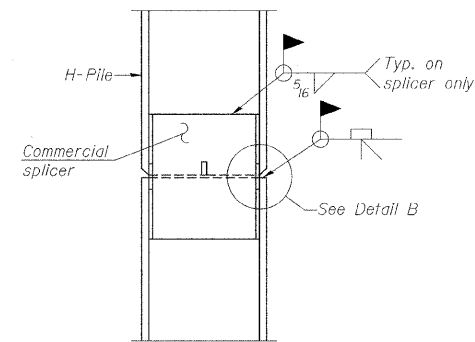
ROUTE No.	SECTION	COUNTY	TOTAL SHEETS	SHEET NO.
F.A.P. 331	(8X-1)B	SALINE CO.	220	137
STA.		TO STA.		
F.H.W.A. REGION		ILLINOIS	PROJECT	

Contract # 78058

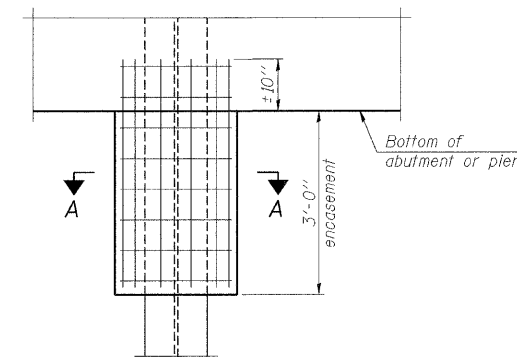


STEEL PILE TABLE

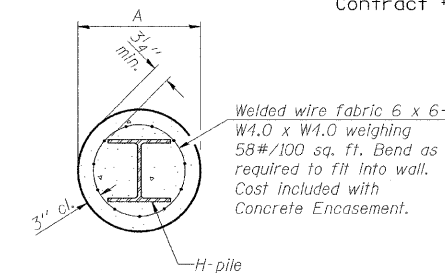
Designation	Depth d	Flange width b <sub>f</sub>	Web and Flange thickness t	Encasement diameter A
HP 14x117	14 1/4"	14 7/8"	1 5/16"	30"
x102	14"	14 3/4"	1 1/16"	30"
x89	13 7/8"	14 3/4"	5/8"	30"
x73	13 5/8"	14 5/8"	1/2"	30"
HP 12x84	12 1/4"	12 1/4"	1 1/16"	24"
x74	12 1/8"	12 1/4"	5/8"	24"
x63	12"	12 5/8"	1/2"	24"
x53	11 3/4"	12"	7/16"	24"
HP 10x57	10"	10 1/4"	9/16"	24"
x42	9 3/4"	10 5/8"	7/16"	24"
HP 8x36	8"	8 1/8"	7/16"	18"



ELEVATION



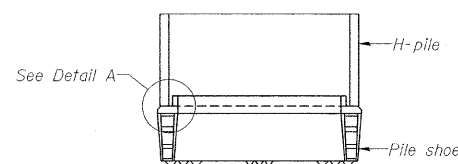
ELEVATION



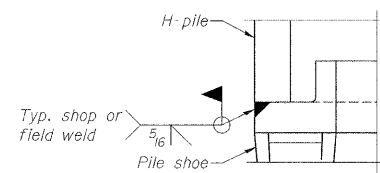
Note:  
Forms for encasement may be omitted when soil conditions permit.

SECTION A-A

PILE ENCASEMENT

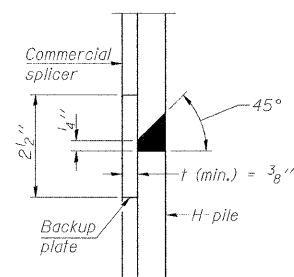


ELEVATION



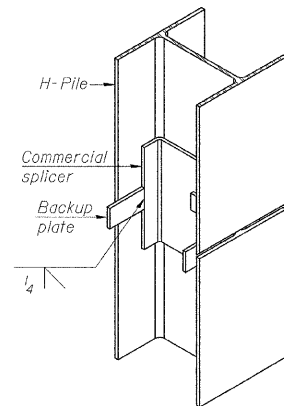
DETAIL A

H-PILE SHOE ATTACHMENT

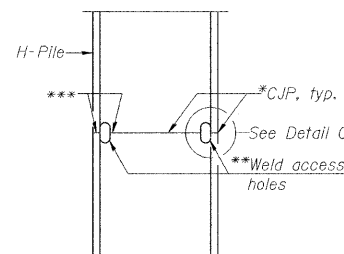


DETAIL "B"

WELDED COMMERCIAL SPLICE

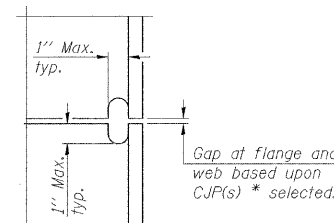


ISOMETRIC VIEW

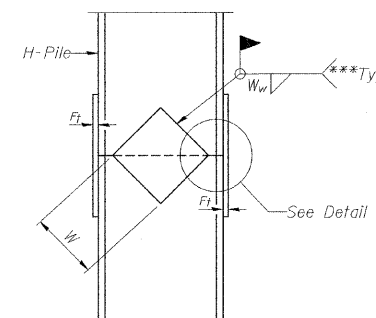


ELEVATION

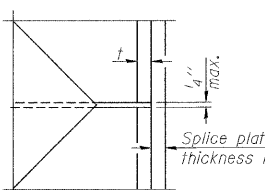
COMPLETE PENETRATION WELD SPLICE



DETAIL C



ELEVATION



DETAIL D

WELDED PLATE FIELD SPLICE

Designation	F	F <sub>t</sub>	F <sub>w</sub>	W	W <sub>t</sub>	W <sub>w</sub>
HP 14x117	12 1/2"	1"	7/8"	7 3/4"	5 8/8"	1/2"
x102	12 1/2"	7/8"	3/4"	7 3/4"	5 8/8"	1/2"
x89	12 1/2"	3/4"	1/16"	7 3/4"	5 8/8"	1/2"
x73	12 1/2"	5/8"	9/16"	7 3/4"	5 8/8"	1/2"
HP 12x84	10"	7/8"	1/16"	6 1/2"	5 8/8"	1/2"
x74	10"	7/8"	1/16"	6 1/2"	5 8/8"	1/2"
x63	10"	5/8"	1/2"	6 1/2"	1/2"	3/8"
x53	10"	5/8"	1/2"	6 1/2"	1/2"	3/8"
HP 10x57	8"	3/4"	9/16"	5 1/4"	1/2"	3/8"
x42	8"	5/8"	9/16"	5 1/4"	1/2"	3/8"
HP 8x36	7"	5/8"	7/16"	4 1/4"	1/2"	3/8"

\* Use joint conforming to Figure 3.4 in AWS D1.1, Structure Welding Code - Steel.

\*\* Preparation per Fig. 5.2 in AWS D1.1, Structure Welding Code - Steel.

\*\*\* Interrupt welds 1/4" from end of each pile.

Note:  
The steel H-piles shall be according to AASHTO M270 Grade 50.

DESIGNED	WJZ
CHECKED	MRB
DRAWN	LM
CHECKED	HMA

F-HP

10-1-08

**benesch**

alfred benesch & company  
Engineers • Surveyors • Planners  
205 North Michigan Avenue, Suite 2400  
Chicago, Illinois 60601  
312-565-0450

JOB NO. 3526

ILLINOIS DEPARTMENT OF TRANSPORTATION  
RELOCATED ILLINOIS ROUTE 13 OVER  
HARRISBURG DITCH  
F.A.P. 331 SECTION (8X-1)B

HP PILE DETAILS

SN: 083-0060  
SALINE CO., IL.

STA. 1013+38.50  
DATE: FEB 4, 2009