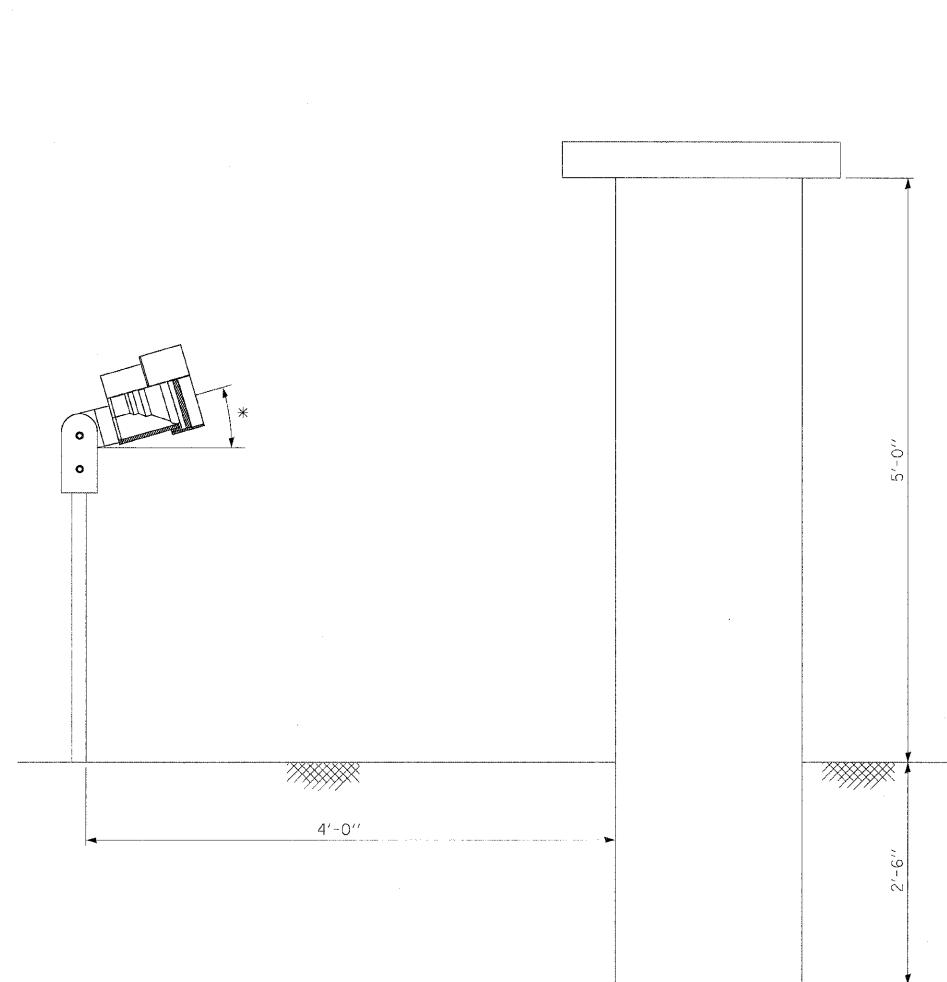


FAP RT. NO.	SECTION	COUNTY	TOTAL SHEETS	SHEET NO.
331	3-2, 8X-1, 4-2	SALINE	220	149
STA.		TO STA.		
FED. ROAD DIST. NO.	ILLINOIS	FED. AID PROJECT		



**SIGN LIGHTING - ELEVATION VIEW**

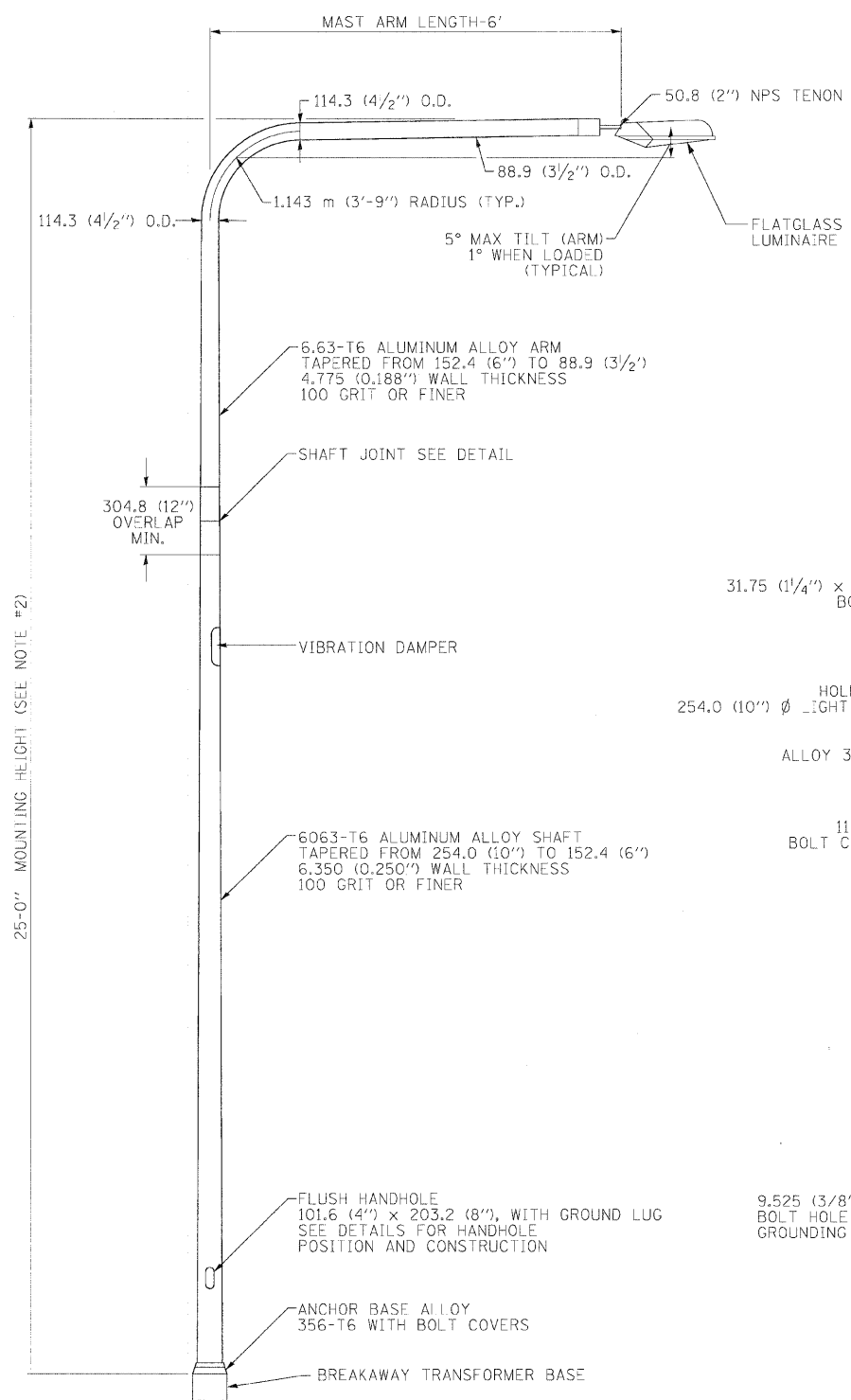
• ANGLE AS DIRECTED BY THE ENGINEER

**NOTES FOR SIGN LIGHTING:**

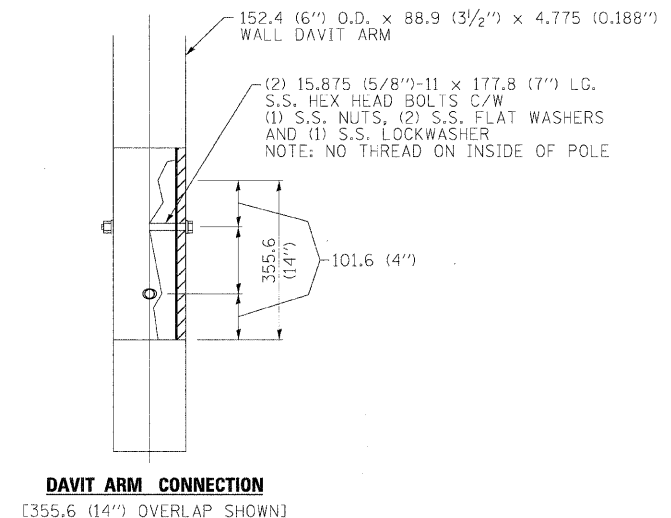
1. SIGN LUMINAIRE SHALL BE B-K LIGHTING CATALOG NUMBER AL-77-BLP-30-B OR AN APPROVED EQUAL.
2. LINE VOLTAGE TO SIGN LUMINAIRE SHALL BE 120V.

**SIGN LUMINAIRE FEATURES TO BE INCLUDED**

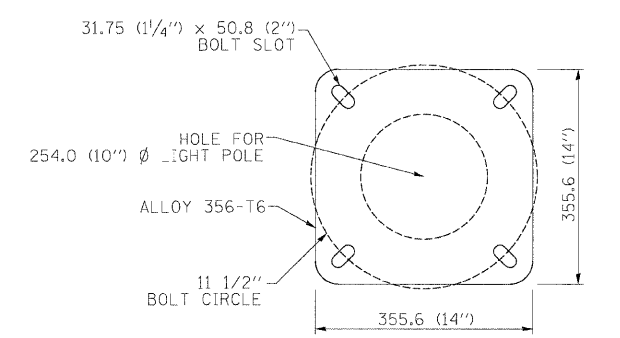
ALL PRECISION MACHINED ALUMINUM CONSTRUCTION.  
 KNUCLE SYSTEM WHICH ALLOWS VERTICAL TO HORIZONTAL AND ROTATIONAL AIMING WITH POSITIVE AIM AND LOCK TECHNOLOGY. PROVIDES INTEGRAL WIREWAY.  
 MEDIUM BASE PULSE RATED LAMPHOLDER WITH 250 C, 18 Gg. WIRE LEADS (LEADS) (LEADS EXTEND 6" BEYOND MOUNTING KNUCLE).  
 UTILIZES PAR38 HALOGEN LAMP, 90W.  
 RAINLIGHT OPTICAL COMPARTMENT, CLEAR TEMPERED CLASS LENS, FACTORY SEALED.  
 TEMPERPROOF DESIGN, UTILIZES THREE HEX HEAD SET SCREWS.  
 POLYESTER POWDERCOAT FINISHES STANDARD. (SPECIFY)



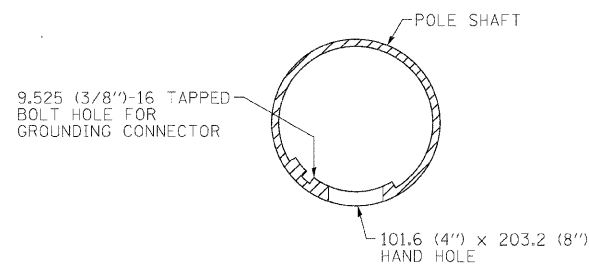
**SINGLE ARM POLE**



**DAVIT ARM CONNECTION**  
 [355.6 (14") OVERLAP SHOWN]



**LIGHT POLE BASE PLATE DETAIL**  
 (FOR POLE MOUNTED ON 381.0 (15 INCH) BOLT CIRCLE FOUNDATION OR BREAKAWAY TRANSFORMER BASE)



**HANDHOLE DETAIL**  
 (N.T.S.)

**NOTES FOR LIGHT POLE INSTALLATION:**

1. ALL DIMENSIONS ARE IN MILLIMETERS (INCHES) UNLESS OTHERWISE SHOWN.
2. MOUNTING HEIGHT IS DEFINED AS THE DISTANCE FROM THE CENTERLINE OF THE TENON TO THE BOTTOM OF THE ANCHOR BASE.
3. TWO PIECE SHAFT WILL BE MATCHED MARKED AND INTERCHANGEABLE BETWEEN DIFFERENT UNITS. FIELD DRILLING OF THE HOLES WILL NOT BE ALLOWED.
4. THE LIGHT POLE WILL MEET AASHTO DESIGN CRITERIA AS SPECIFIED.  
 THE CONTRACTOR WILL PROVIDE A UL LISTED GROUNDING CONNECTOR, BURNDY K2C23, T&B SP4DL OR APPROVED EQUAL.
5. LIGHT POLES WILL NOT BE INSTALLED WITHOUT MAST ARMS AND LUMINAIRE.
6. LIGHT POLES WILL BE SET PLUMB ON THE FOUNDATION WITHOUT THE USE OF LEVELING NUTS, WASHERS OR SHIMS.
7. LIGHTING UNIT IDENTIFICATION NUMBERS WILL BE INSTALLED BEFORE THE LIGHTING UNIT IS ENERGIZED.
8. LIGHT POLE WILL BE INSTALLED ON SHORT BREAKAWAY TRANSFORMER BASE. BOLT CIRCLE OF THE TRANSFORMER BASE WILL MATCH THE BOLT CIRCLE OF THE POLE BASE AND BOLT CIRCLE OF THE FOUNDATION.
9. TRANSFORMER BASE WILL NOT BE PAID SEPARATELY BUT WILL BE INCLUDED IN THE LIGHT POLE BID ITEM.

CHECKED BY GHT PLOT DATE 2/22/2003  
 DRAWN BY VLM PLOT SCALE 1/8"=1'-0"

M:\PROJECTS\PROJ\8526\ROADWAY\COMMON\Reference Files  
 Active File: 149.dwg  
 Title: 149.dwg