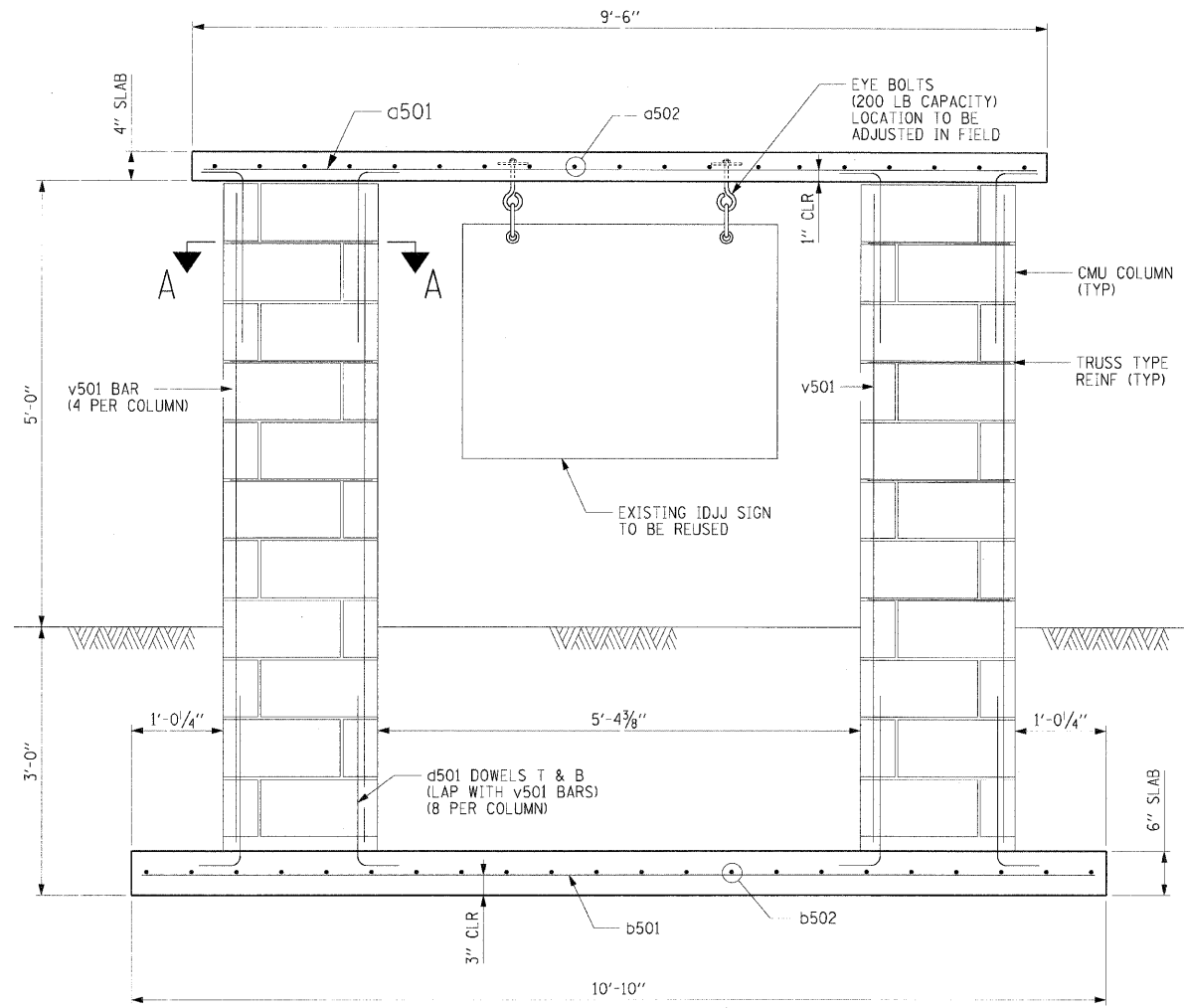
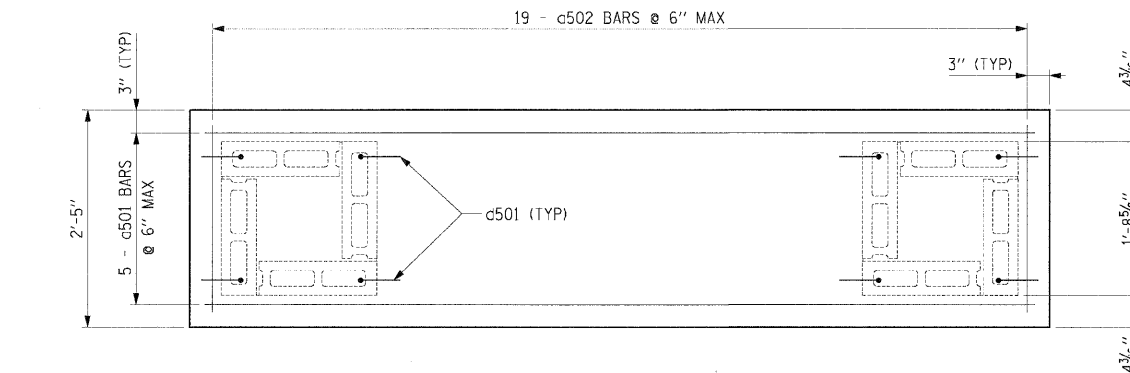


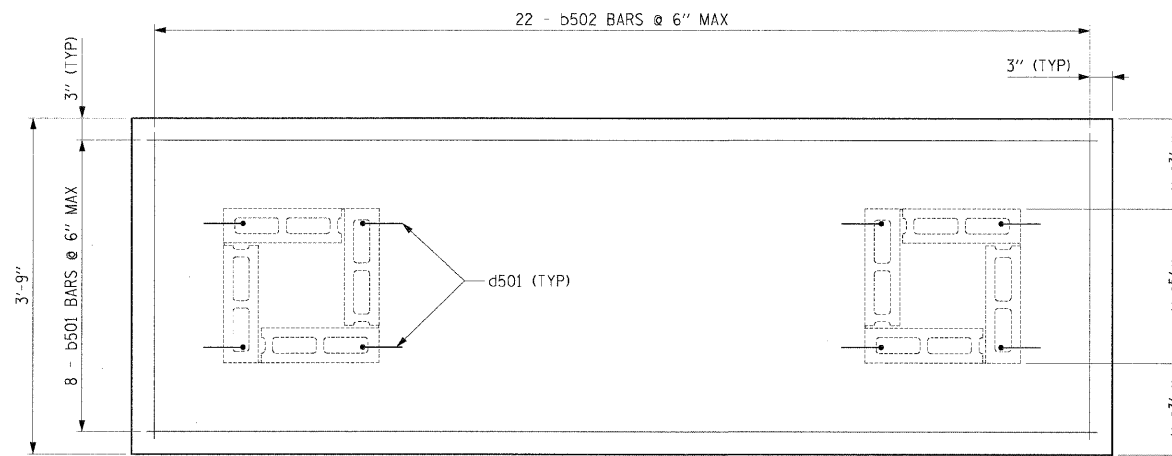
FAP RTE.	SECTION	COUNTY	TOTAL SHEETS	SHEET NO.
331	3-2, BX-1, 4-2	SALINE	220	151
STA.		TO STA.		
FED. ROAD DIST. NO.		ILLINOIS	FED. AID PROJECT	



ELEVATION



TOP SLAB REINFORCEMENT



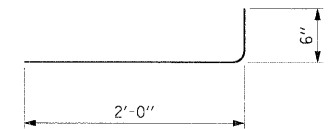
BOTTOM SLAB REINFORCEMENT

REINFORCING BAR SCHEDULE

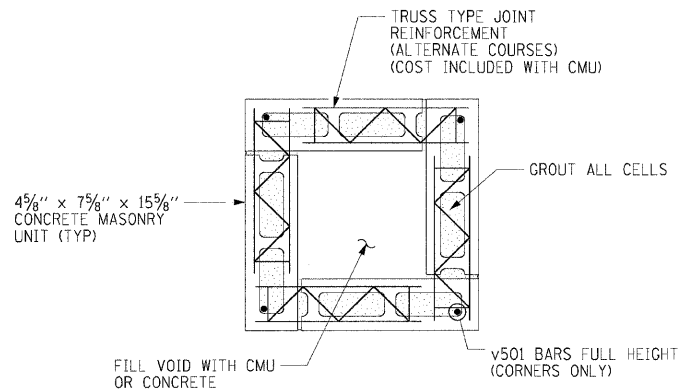
BAR	NO.	LENGTH	SIZE	SHAPE
a501	5	9'-2"	5	—
a502	19	2'-1"	5	—
b501	8	10'-6"	5	—
b502	22	3'-5"	5	—
d501	16	2'-6"	5	—
v501	8	7'-2"	5	—

BILL OF MATERIAL

DESCRIPTION	UNIT	QUANTITY
CONCRETE STRUCTURES	CU.YDS.	1.5
REINFORCING BARS	LBS.	360
CMU COLUMNS	L. SUM	2



BAR d501



SECTION J A-A

General Notes

- Concrete shall have a minimum of 3500 psi compressive strength after 14 days.
- Reinforcement bars shall conform to the requirements of ASTM A706 Gr. 60. See Special Provision.
- See Special Provisions for CMU Specifications (To be provided by IDJJ)
- Material and construction of new sign structure and relocation of existing sign to be payed as a lump sum for SIGN STRUCTURE.

CHECKED BY: HMA, PLOT DATE: 2/22/2009
DRAWN BY: RMG, PLOT SCALE: 1/8"=1'-0"

M:\PROJECTS\PROJECTS\ROADWAY\COMMON\
Active File
SIGNSTRUCT.DWG