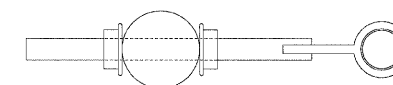
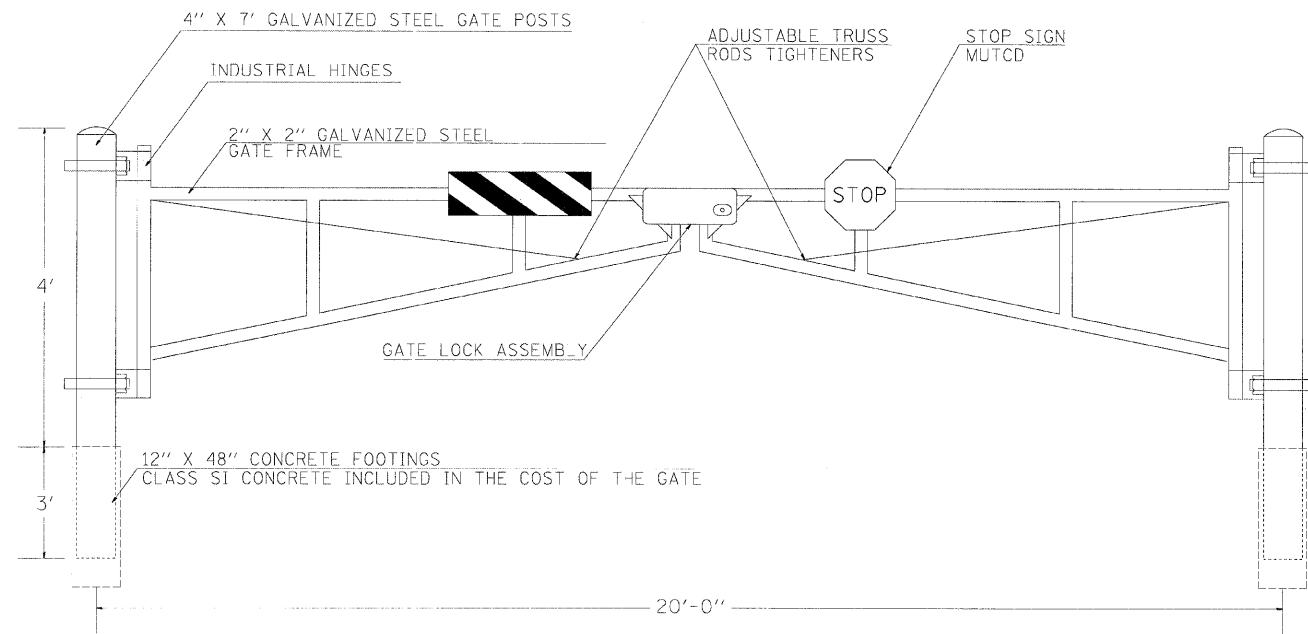
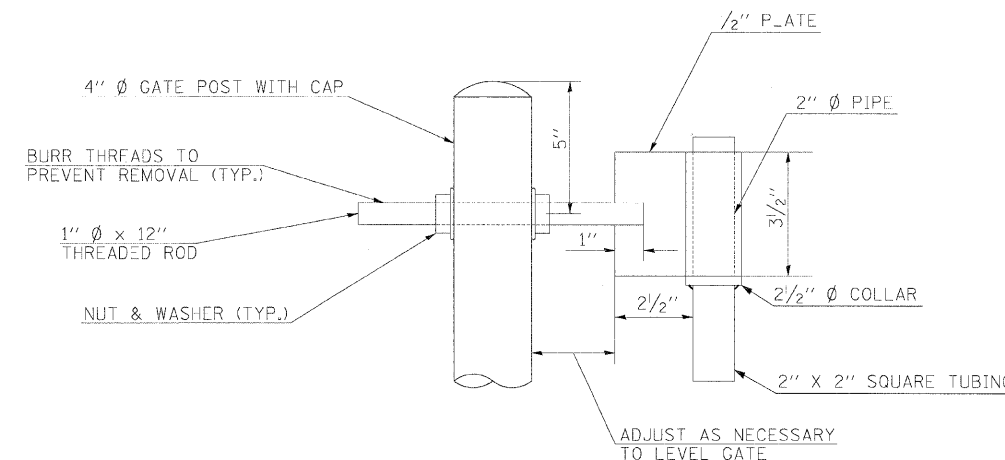


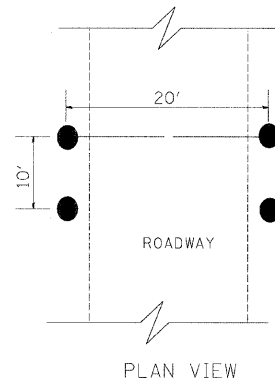
FAP RFE.	SECTION	COUNTY	TOTAL SHEETS	SHEET NO.
331	3-2, BX-1, 4-2	SALINE	220	152
STA.		TO STA.		
FED. ROAD DIST. NO.		ILLINOIS	FED. AID PROJECT	



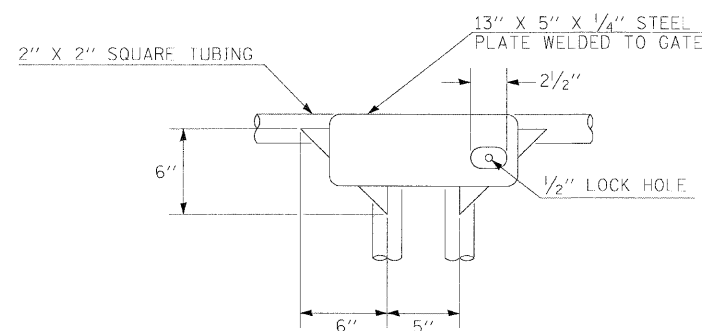
PLAN VIEW



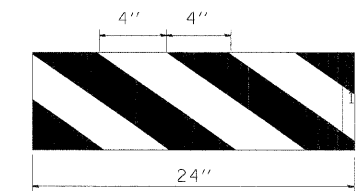
TOP GATE HINGE



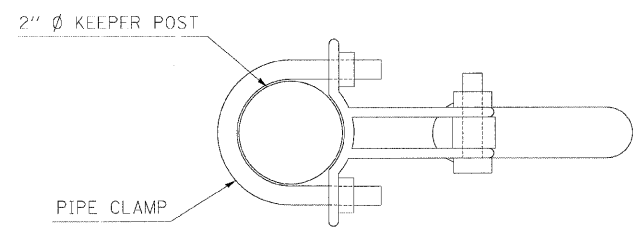
PLAN VIEW



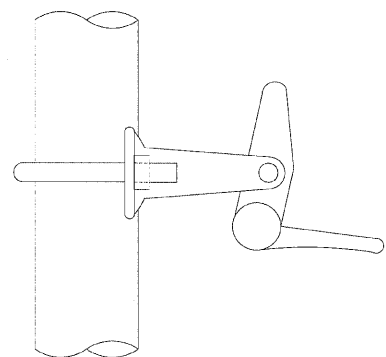
GATE LOCK ASSEMBLY



HORIZONTAL PANEL DETAIL

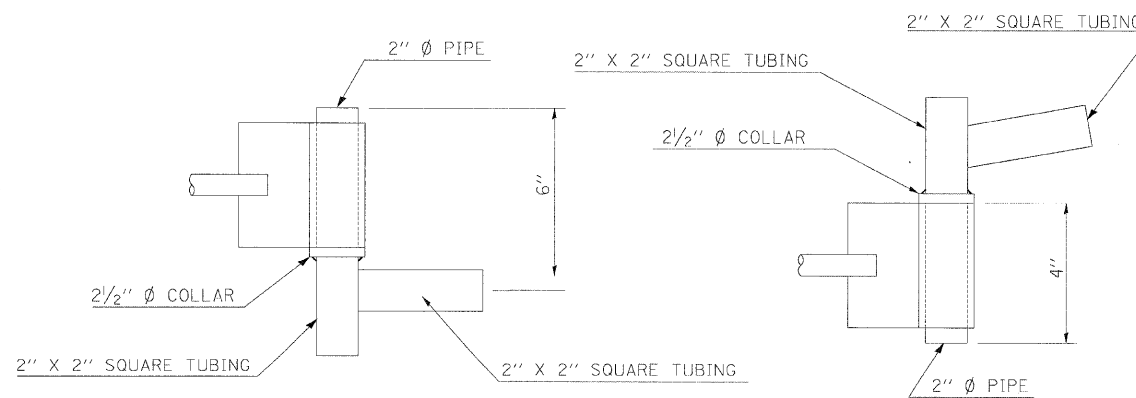


PLAN VIEW



SIDE VIEW

AUTOMATIC GATE KEEPER



DETAIL AT TOP HINGE

DETAIL AT BOTTOM HINGE

GATE DETAILS

CHECKED BY: ELM PLOT DATE: 2/2/2005
DRAWN BY: DMS PLOT SCALE: 1/4\"/>

M:\PROJ\3526\ROADWAY\CONTRACT 1\STANDARDS\ACTIVE Files\Reference Plans\ST001-352606.dgn