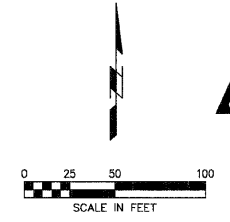
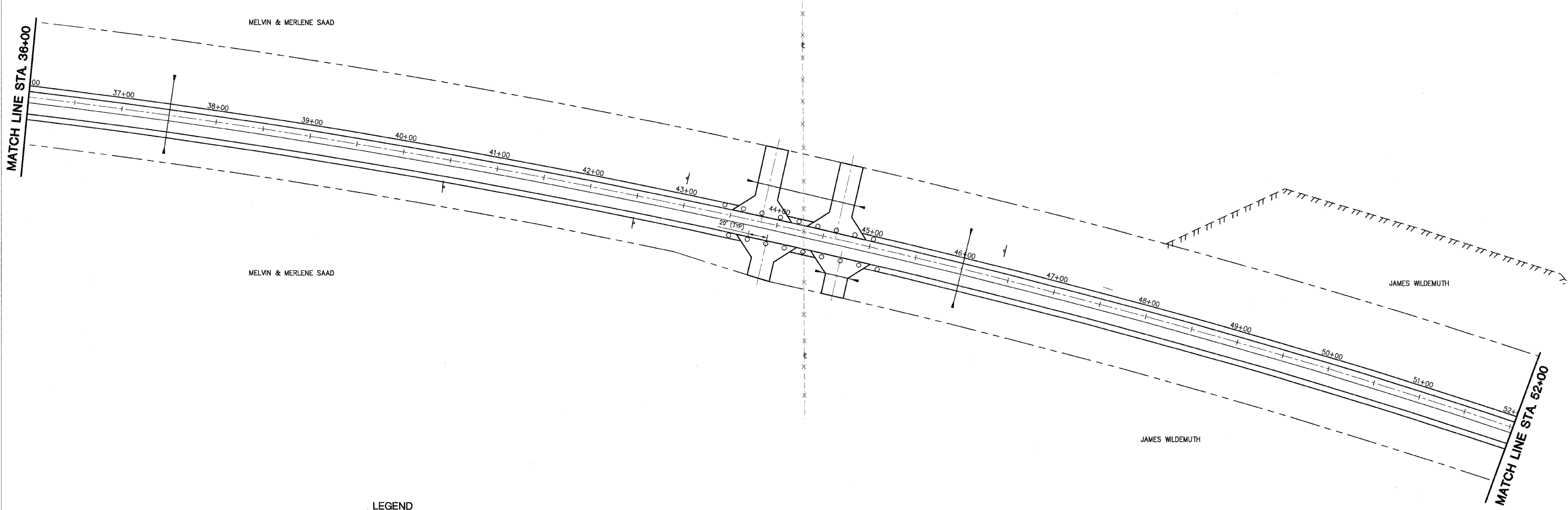


LOCAL RTE. NO.	SECTION	COUNTY	TOTAL SHEETS	SHEET NO.
1040	05-00010-00-PV	HENRY	136	29
STA. 36+00		TO STA. 52+00		
FED. ROAD DIST. NO.		ILLINOIS FED. AID PROJECT		



SHIVE HATTERY
 Cedar Rapids, IA \ Iowa City, IA \ Des Moines, IA
 Moline, IL \ Bloomington, IL \ Chicago, IL
 SHIVE-HATTERY, INC. 1701 RIVER DRIVE, SUITE 200 MOLINE, IL 61265
 PHONE (309) 764-7650 FAX (309) 764-8616
 http://www.shive-hattery.com
 ILLINOIS FIRM NUMBER: 184-000214



LEGEND
 ○ DRUM OR BARRICADE

PLOT DATE = #DATE#
 FILE NAME = #FILE#
 PLOT SCALE = #SCALE#
 USER NAME = #USER#

REVISIONS	
NAME	DATE

ILLINOIS DEPARTMENT OF TRANSPORTATION
 SUGGESTED STAGES OF CONSTRUCTION
 AND TRAFFIC CONTROL
 VERT. SCALE: VERT.
 HORIZ. SCALE: HORIZ.
 DATE: 03-11-09
 DRAWN BY: MAC
 CHECKED BY: PMH