

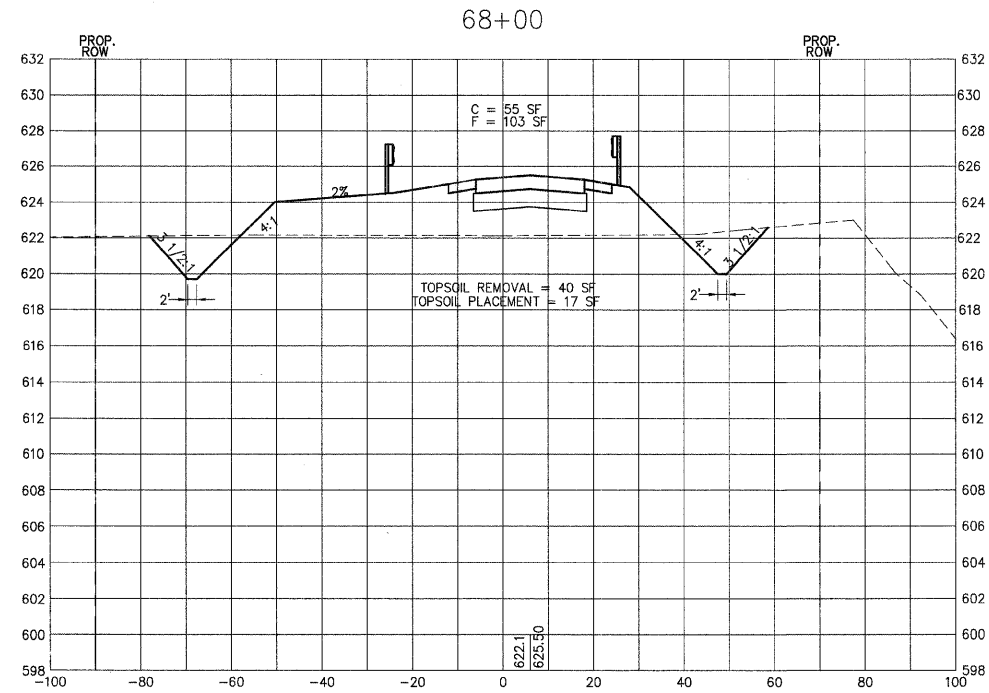
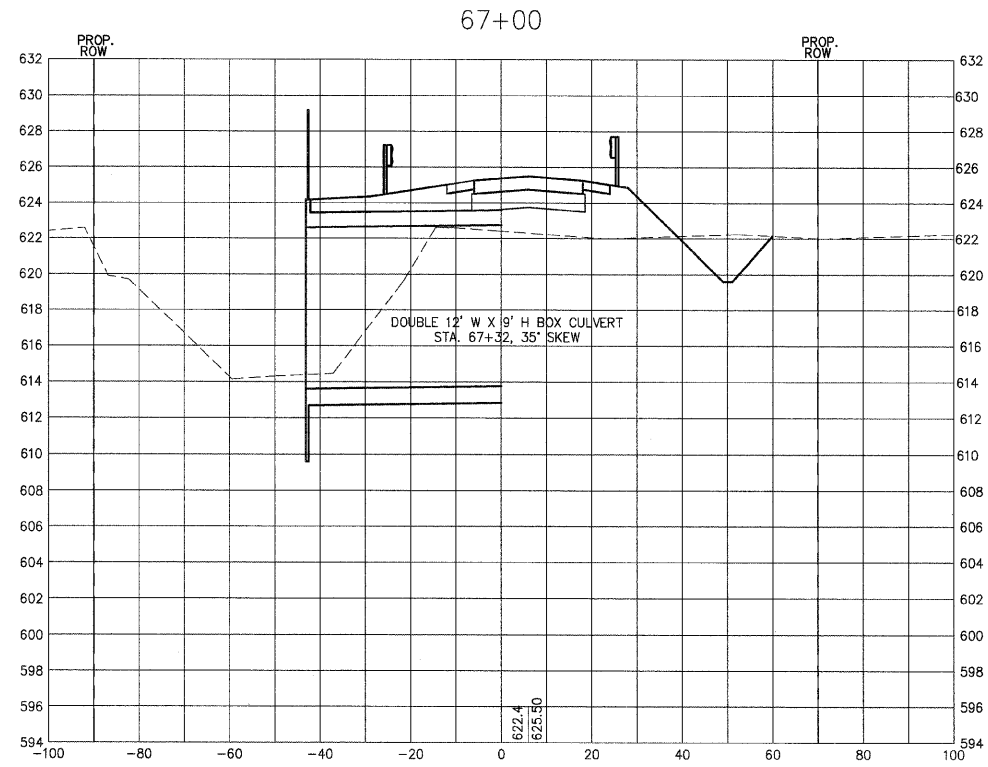
LOCAL RTE.	SECTION	COUNTY	TOTAL SHEETS	SHEET NO.
M.S. 1040	05-00010-00-PV	HENRY	136	104
STA. 66+50		TO STA. 68+00		
FED. ROAD DIST. NO. 2   ILLINOIS   FED. AID PROJECT				

**SHIVE HATTERY**  
 Cedar Rapids, IA · Iowa City, IA · Des Moines, IA  
 Moline, IL · Bloomington, IL · Chicago, IL  
 SHIVE-HATTERY, INC. 1701 RIVER DRIVE, SUITE 200 MOLINE, IL 61265  
 PHONE (309) 764-7650 FAX (309) 764-8616  
 http://www.shive-hattery.com  
 ILLINOIS FIRM NUMBER: 184-000214

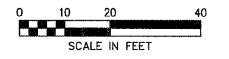
PLAN	DATE
SURVEYED	BY
PLOTTED	
CHECKED	
DATE OF WAY CHECKED	
NO.	DATE FILE NAME

PROFILE	DATE
SURVEYED	BY
PLOTTED	
CHECKED	
DATE NOTATED	
NO.	STRUCTURE NOTATIONS CHKD

PLOT DATE = #DATE\*  
 FILE NAME = #FILE\*  
 PLOT SCALE = #SCALE\*  
 USER NAME = #USER\*



**HORIZONTAL SCALE**



**VERTICAL SCALE**

