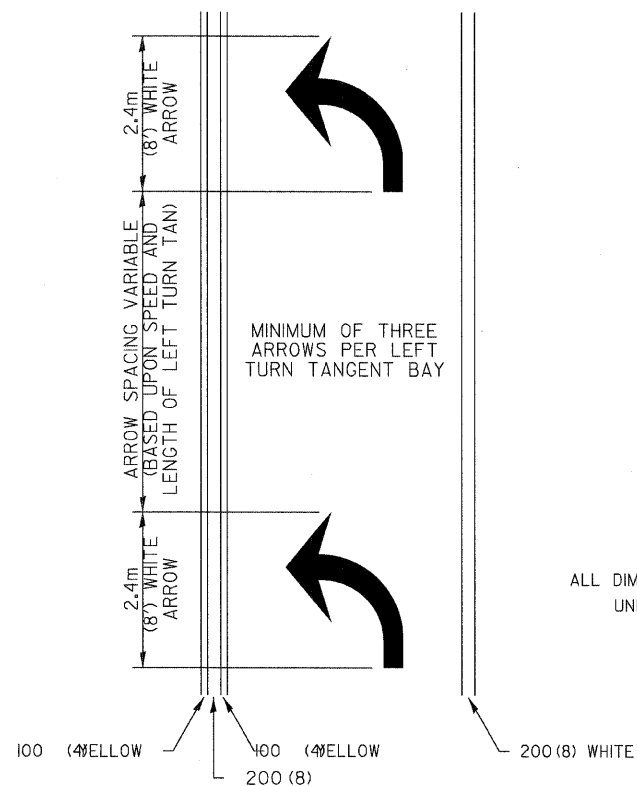


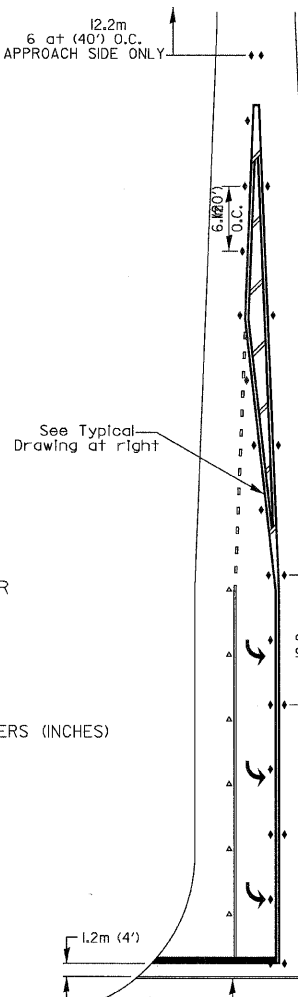
TYPICAL PAVEMENT MARKINGS

ARROW LAYOUT

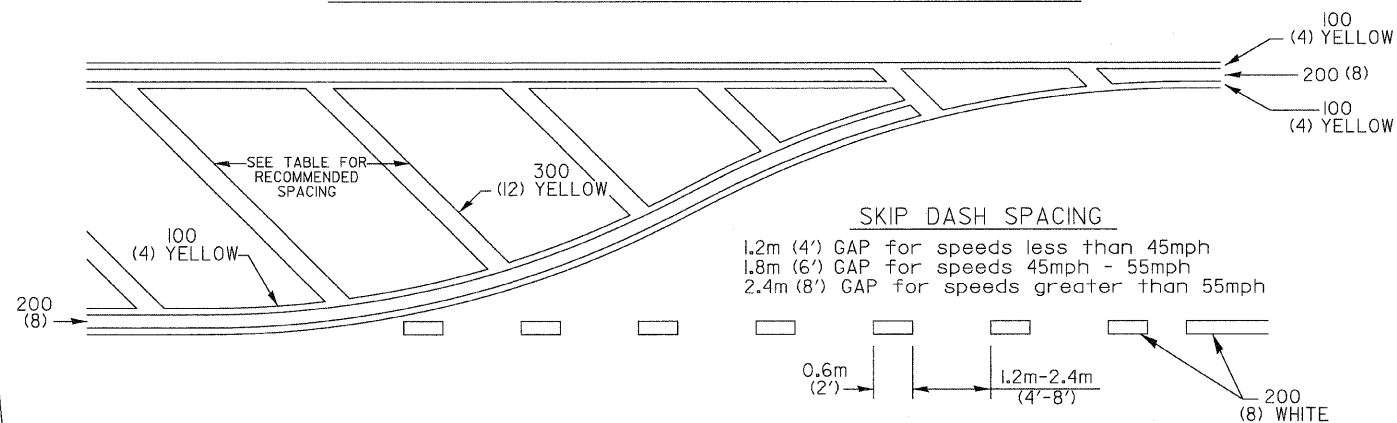


ALL DIMENSIONS ARE IN MILLIMETERS (INCHES) UNLESS OTHERWISE NOTED.

12.2m
6 at (40') O.C.
APPROACH SIDE ONLY



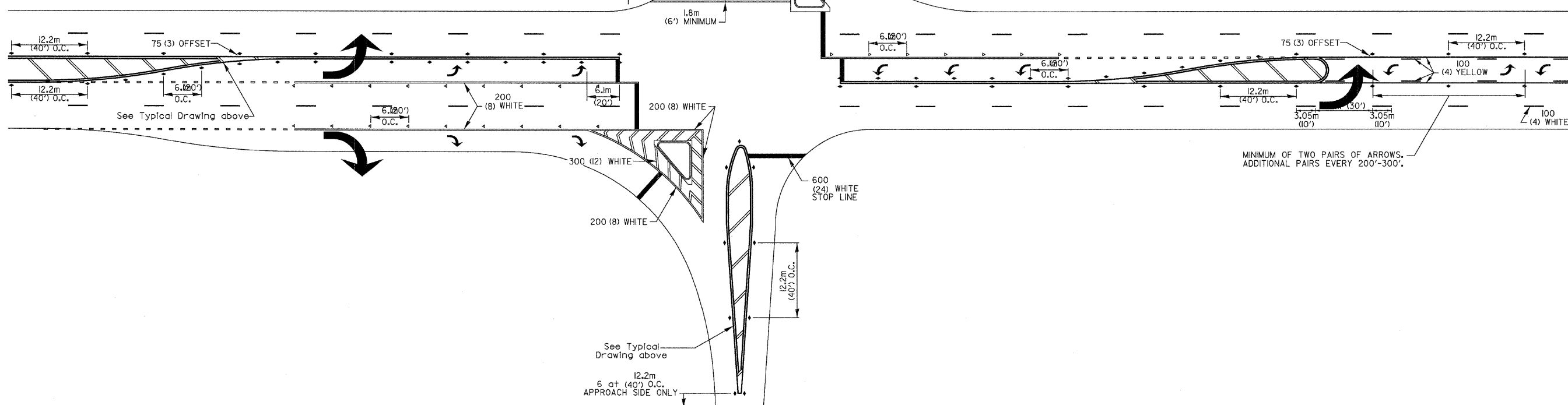
TYPICAL PAVEMENT MARKING FOR FLUSH MEDIAN



RECOMMENDED SPACING BETWEEN DIAGONALS (IN FEET)

Speed Limit Range	Continuous Median Area	Intersection Channelization	Objects (Islands)
less than 50Km/H (30MPH)	15.3m (50')	4.53m (15')	3.05m (10')
50-60Km/H (30-40MPH)	22.9m (75')	6.1m (20')	4.53m (15')
70Km/H (45MPH) & over	22.9m (75')	9.05m (30')	6.1m (20')

NOTE: If the spacing recommended in the Table does not permit at least five diagonal lines in the area being marked, the spacing from the next lowest speed range should be used. The recommended spacing is measured parallel to the pavement center line.



FILE NAME =	USER NAME = #USER#	DESIGNED - ---	REVISED - IQ-21-08	STATE OF ILLINOIS DEPARTMENT OF TRANSPORTATION	REGION 2 / DISTRICT 2 STANDARD	LOCAL RTE. M-20	SECTION 05-00010-00-PV	COUNTY HENRY	TOTAL SHEETS 136	SHEET NO. 128	
#FILE#		DRAWN - ---	REVISED - ---			SCALE: _____	SHEET NO. 128 OF 136 SHEETS	CONTRACT NO. 85428		ILLINOIS FED. AID PROJECT	
		CHECKED - ---	REVISED - ---			STA. _____	TO STA. _____				
		PLDT DATE = #DATE#	REVISED - ---								