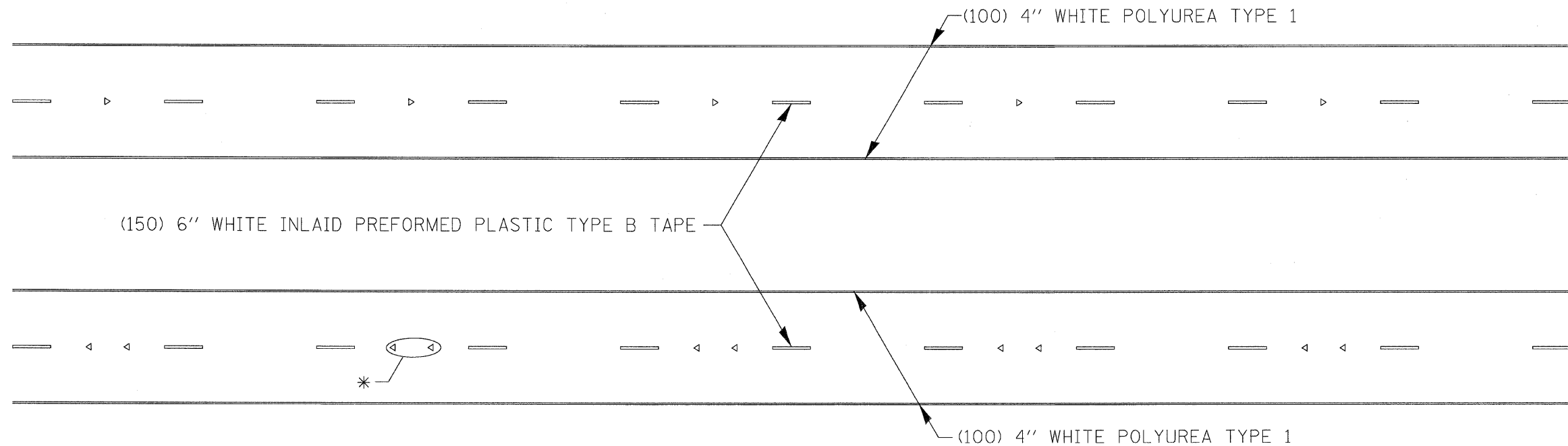
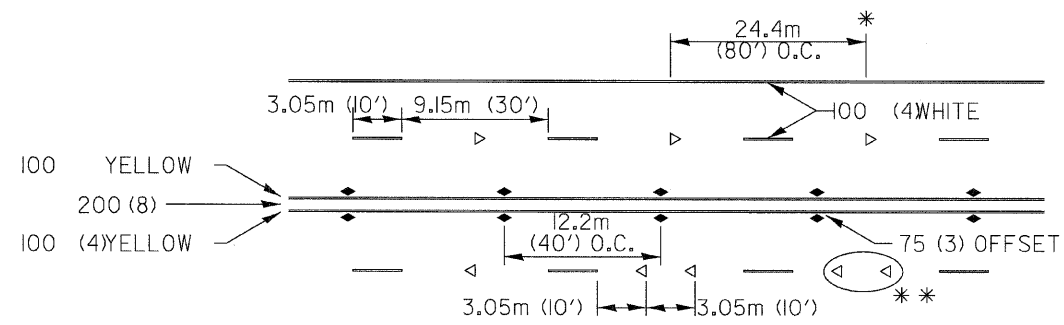


TYPICAL PAVEMENT MARKINGS



* SEE HIGHWAY STANDARD 781001 FOR SPACING DETAILS.
USE DOUBLE MARKERS WHEN ADT \geq 25,000.

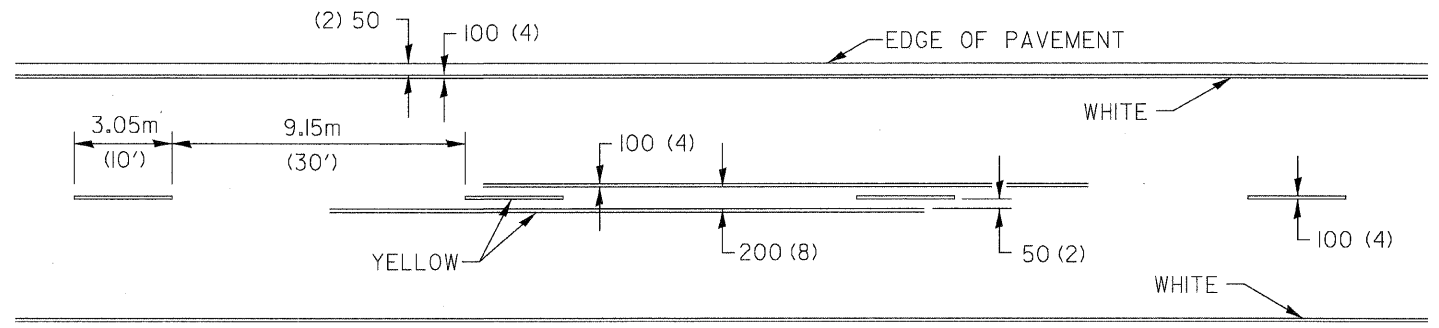
MULTI-LANE / DIVIDED



* REDUCE TO 12.2m (40') O.C. ON CURVES WHERE ADVISORY SPEEDS ARE 15Km/H (10MPH) LOWER THAN POSTED SPEEDS.
** USE DOUBLE MARKERS WHEN ADT $>$ 25,000

MULTI-LANE / UNDIVIDED

TYPICAL PAVEMENT MARKING FOR TWO LANE SECTION - NO PASSING ZONES



SYMBOLS

FILE NAME =	USER NAME = #USER#	DESIGNED - ---	REVISED - 10-21-08	STATE OF ILLINOIS DEPARTMENT OF TRANSPORTATION	REGION 2 / DISTRICT 2 STANDARD	LOCAL RTE. -	SECTION	COUNTY	TOTAL SHEETS	SHEET NO.
#FILEL#		DRAWN - ---	REVISED - ---			M.S. -	05-00010-00-PV	HENRY	136	129
		CHECKED - ---	REVISED - ---			1040				
		DATE - ---	REVISED - ---			SCALE: -----	SHEET NO. 129 OF 136 SHEETS	STA. ----- TO STA. -----	FED. ROAD DIST. NO. - ILLINOIS FED. AID PROJECT CONTRACT NO. 85428	
		PLOT DATE = #DATE#	DATE - -----							