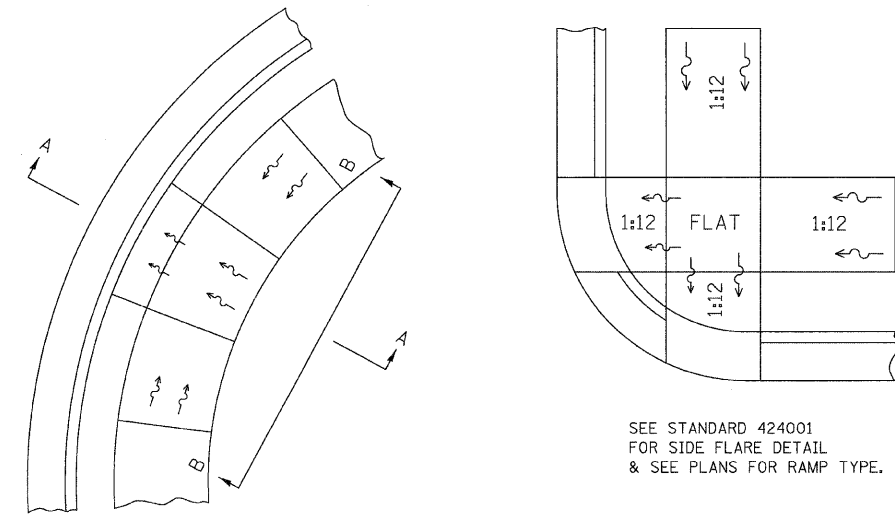
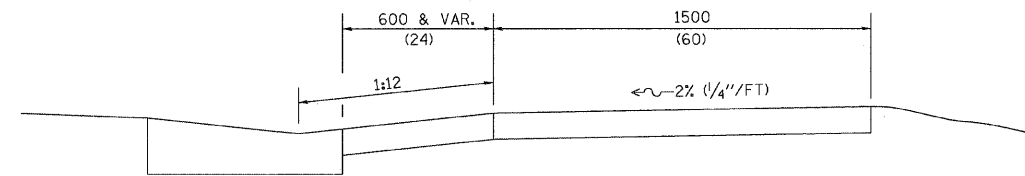


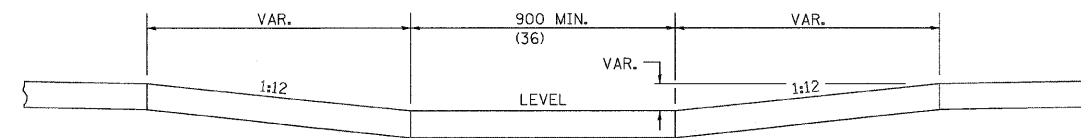
DISABLED RAMP DETAIL



ALL DIMENSIONS ARE IN MILLIMETERS (INCHES)
UNLESS OTHERWISE NOTED.



SECTION A-A



SECTION B-B

NOTES : THIS DETAIL TO BE USED IN CONJUNCTION WITH STATE STANDARD 424001.
THE MAXIMUM ALLOWABLE CROSS SLOPE FOR SIDEWALK IS 2% (1/4"/FT).
THE MAXIMUM ALLOWABLE SIDEWALK GRADE IS 8% (1/2"/FT). IF SPACE LIMITATIONS PROHIBIT THE USE OF THE 1:12 SLOPE, THEN SLOPES BETWEEN 1:10 ARE 1:12 ARE PERMITTED FOR A MAXIMUM RISE OF 150 (6). SLOPES 1:8 AND 1:10 ARE ALLOWED FOR A MAXIMUM RISE OF 75 (3). SLOPES STEEPER THAN 1:8 ARE NOT PERMITTED.
THE DEPRESSED CURB IS NOT STANDARD. THE RISE IS 13(1/2) INSTEAD OF 40 (1 1/2) .

REVISD - 09-19-05	REGION 2 / DISTRICT 2 STANDARD	LOCAL	SECTION	COUNTY	TOTAL SHEETS	SHEET NO.	
REVISD - ---		M-5	05-C000-00-PV	HENRY	136	132	
REVISD - ---		1040					CONTRACT NO. 85428
REVISD - ---		SCALE: #SCALE#	SHEET NO. 132 OF 136 SHEETS STA. _____ TO STA. _____		FED. ROAD DIST. NO. _____ ILLINOIS FED. AID PROJECT		

PLOT DATE = #DATE#