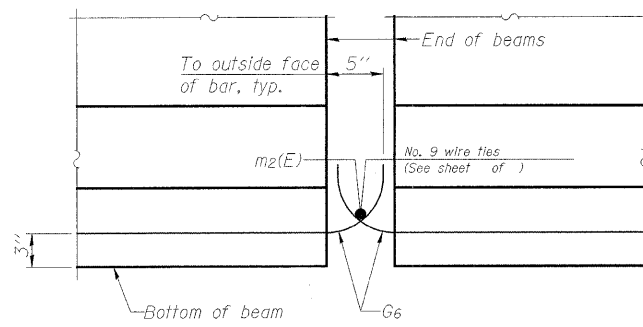
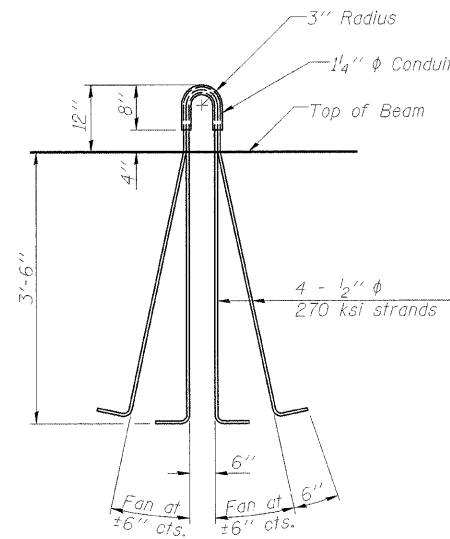


PROJECT NO.	SECTION	COUNTY	SHEET NO.	TOTAL SHEETS
S.R.L. F.A.S. 60	07-00172-00-BR	STEPHENSON	31	20
FED. ROAD DIST. NO. 7	ILLINOIS	FED. AID PROJECT-	BRS-601(21)	

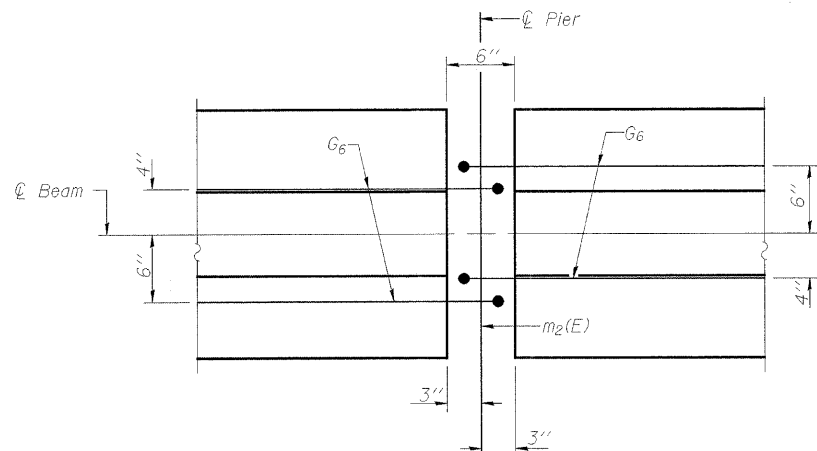
Structural Sheet 11 of 14



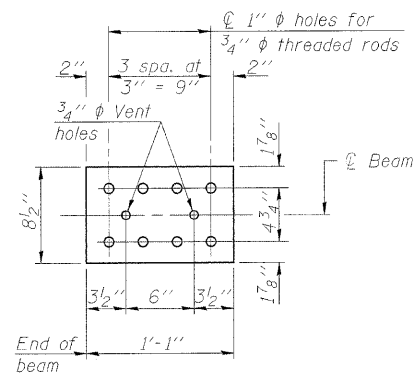
ELEVATION OF BEAM AT PIER



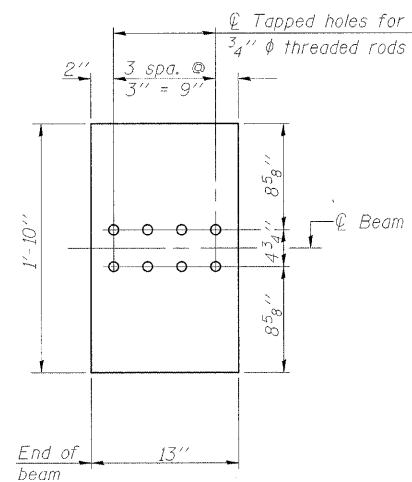
LIFTING LOOP DETAIL



PLAN OF BEAM AT PIER



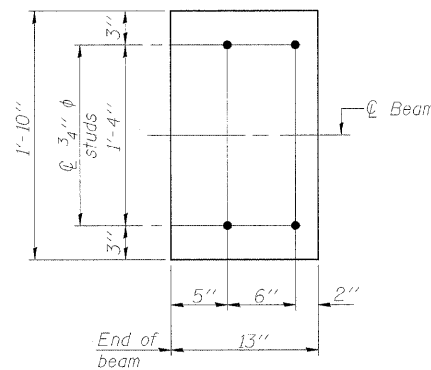
TOP PLATE



BOTTOM PLATE

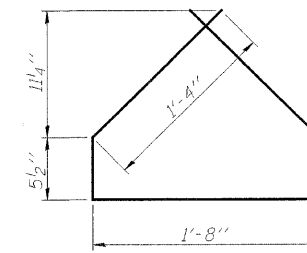
(Showing threaded rods)

See bearing details for pintle hole locations when required.

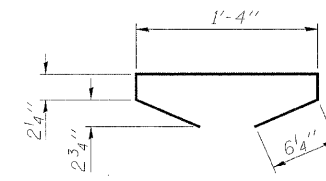


BOTTOM PLATE

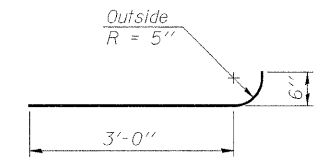
(Showing studs)



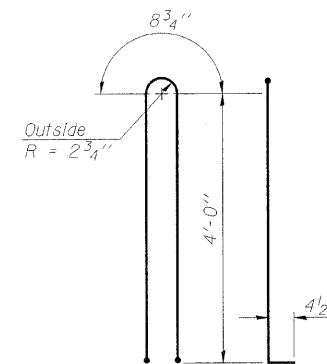
BAR G4



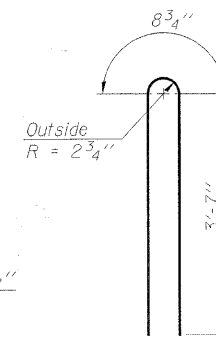
BAR G5



BAR G6



BAR G1



BAR G2

NOTES:

Inserts for 3/4" ϕ threaded dowel rods, when specified, are to be two strut, coil type for interior beams and single coil, flared loop type for exterior beams.

Prestressing steel shall be uncoated high strength, low relaxation 7-wire strand, Grade 270.

The nominal diameter shall be 1/2" and the nominal cross-sectional area shall be 0.153 sq. in.

Non-prestressing steel shall conform to ASTM A 706 (IL MOD), Grade 60.

A minimum 2 1/2" ϕ lifting pin shall be used to engage the lifting loops during handling.

Cut G6 bars when necessary to maintain 1 1/2" clearance.

The top and bottom plates shall be AASHTO M270 Grade 50.

The bottom plates and studs shall be galvanized according to AASHTO M111

Threaded rods shall be ASTM F 1554 Grade 55.

BILL OF MATERIAL

Item	Unit	Total
Furnishing and Erecting Precast Prestressed Concrete I-Beams, 48"	Ft.	867.5

PRESTRESSED BEAM DETAILS
 CEDARVILLE ROAD (FAS 60) OVER RICHLAND CREEK
 STA. 383+72 (S.N. 089-3282)
 SECTION 07-00172-00-BR
 STEPHENSON COUNTY