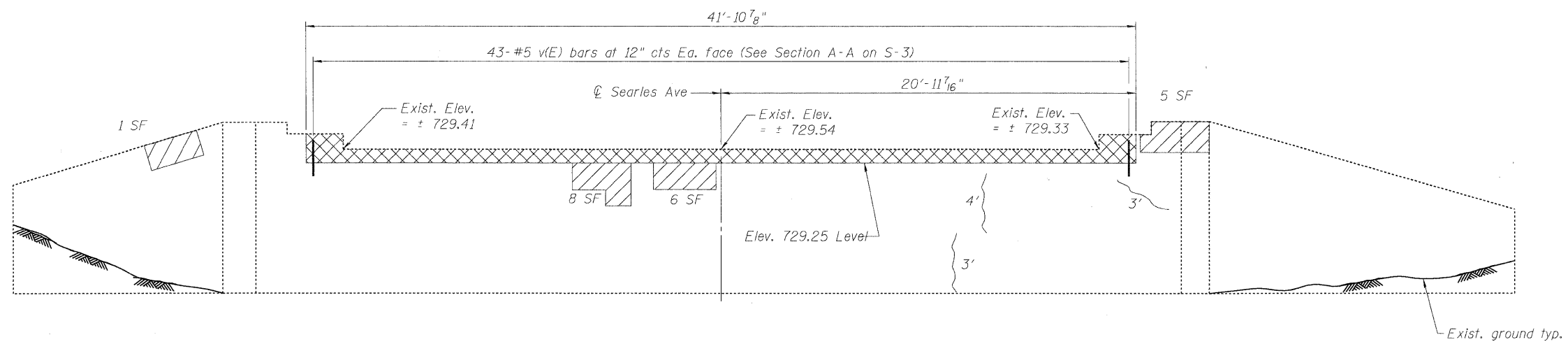


**NORTH ABUTMENT ELEVATION**  
(Looking North)

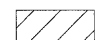
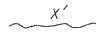



**SOUTH ABUTMENT ELEVATION**  
(Looking South)

**BILL OF MATERIAL**

ITEM	UNIT	QUANTITY
Concrete Removal	Cu. Yd.	2.1
Epoxy Crack Injection	Foot	27
Structural Repair of Concrete (Depth Less Than or Equal to 5")	Sq. Ft.	25

**LEGEND**

-  Indicates Structural Repair of Concrete (Depth Less Than or Equal to 5")
-  Indicates Epoxy Crack Injection
-  Indicates Concrete Removal

Work this sheet with sheet S-3.

**ABUTMENT DETAILS**  
SEARLES AVENUE (FAU ROUTE 5156)  
OVER THE NORTHWEST DRAINAGEWAY  
CITY OF ROCKFORD  
WINNEBAGO COUNTY  
S.N. 101-6004

DATE: 2/6/09

DESIGNED	KMA
CHECKED	RGD
DRAWN	WJH
CHECKED	RGD

**SEC GROUP, INC.**  
 Illinois Professional Design Firm # 184-000108  
 • Engineering • Surveying • Planning • Landscape Architecture  
 4500 Prime Parkway, McHenry, IL 60050  
 T. 815.385.1778 F. 815.385.1781  
 www.secgroupinc.com  
 • McHenry, IL • Yorkville, IL • New Lenox, IL • Chicago, IL

SHEET NO. S-6 S-6 SHEETS	F.A.U. RTE.	SECTION	COUNTY	TOTAL SHEETS	SHEET NO.
	5156	08-00550-00-BR	Winnebago	15	13
CONTRACT NO.			85444		
FED. ROAD DIST. NO. 2 ILLINOIS FED. AID PROJECT BHM 5099 (077)					