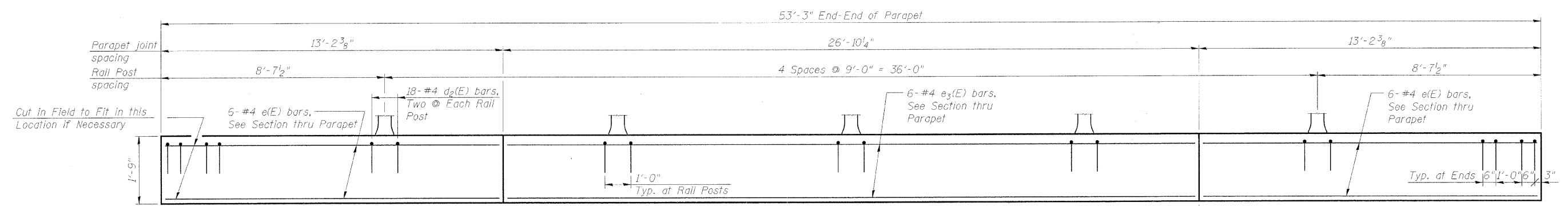
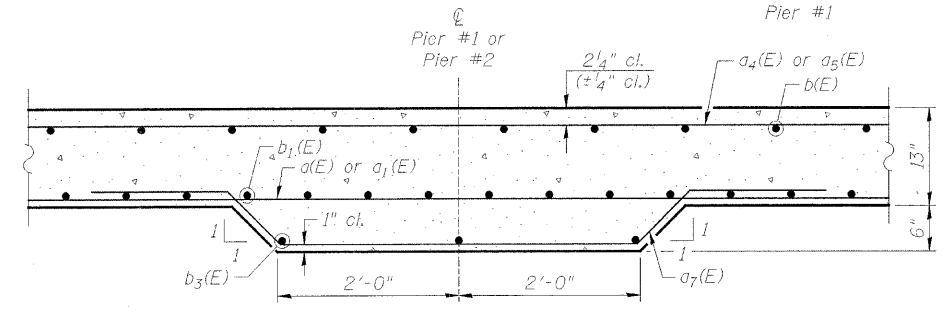


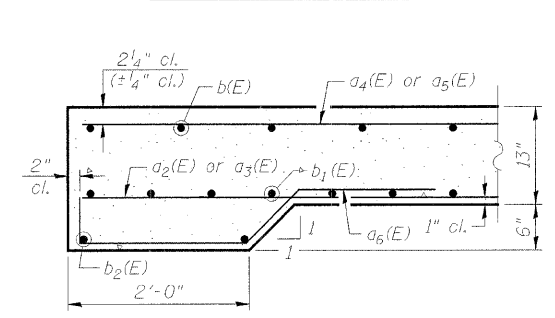
INSIDE ELEVATION VIEW - EAST PARAPET



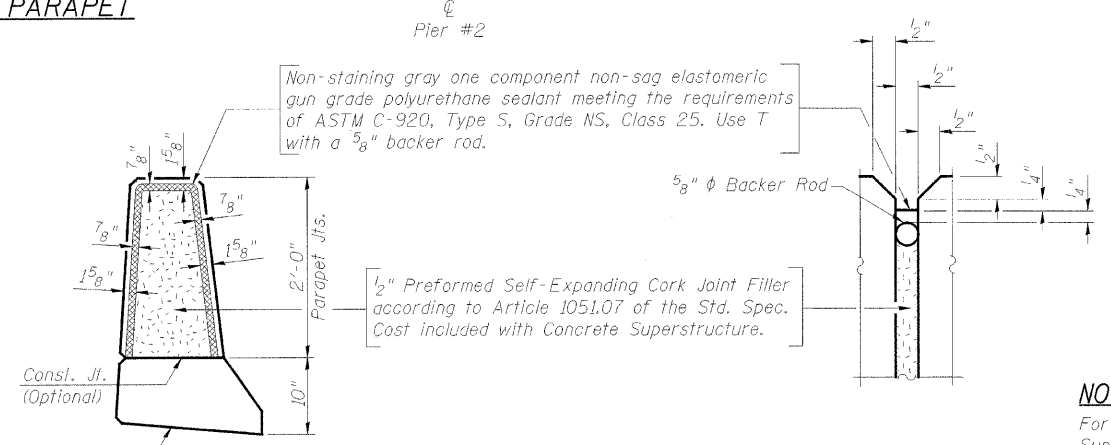
INSIDE ELEVATION VIEW - WEST PARAPET



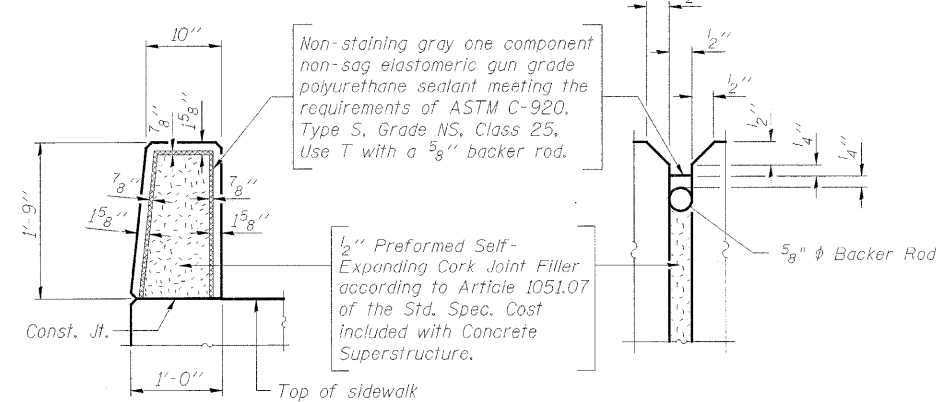
SECTION A-A



SECTION B-B



PARAPET JOINT DETAILS - EAST PARAPET



PARAPET JOINT DETAILS - WEST PARAPET

**NOTES:**  
For Bill of Material see Superstructure on Structural Sheet 3 of 8.

**SUPERSTRUCTURE DETAILS**  
INDEPENDENCE AVE. OVER S. BR. OF KENT CK.  
STA. 20+00 (S.N. 101-6125)  
SECTION 98-00484-00-BR  
CITY OF ROCKFORD  
WINNEBAGO COUNTY  
WHA # 1038R08

STRUCTURAL SHEET NO. 4 OF 8 SHEETS	M.S. RTE.	SECTION	COUNTY	TOTAL SHEETS	SHEET NO.
	6548B	98-00484-00-BR	WINNEBAGO	18	11
	CONTRACT NO. 85453				
FED. ROAD DIST. NO. -		ILLINOIS	FED. AID PROJECT	BHM-5099(50)	