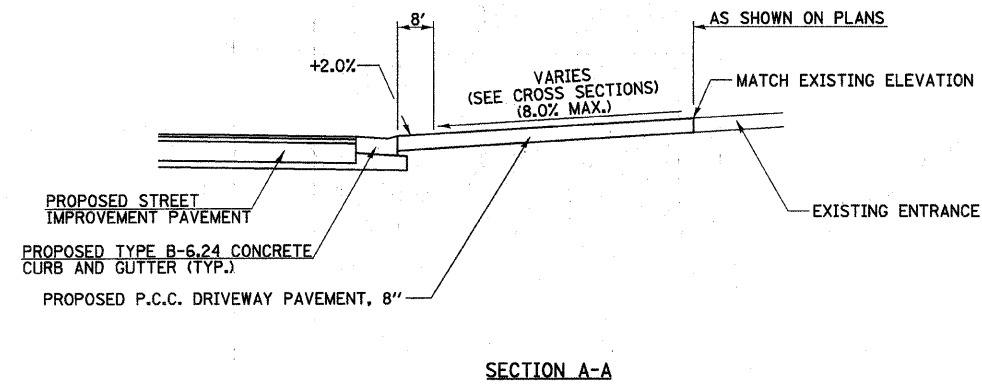
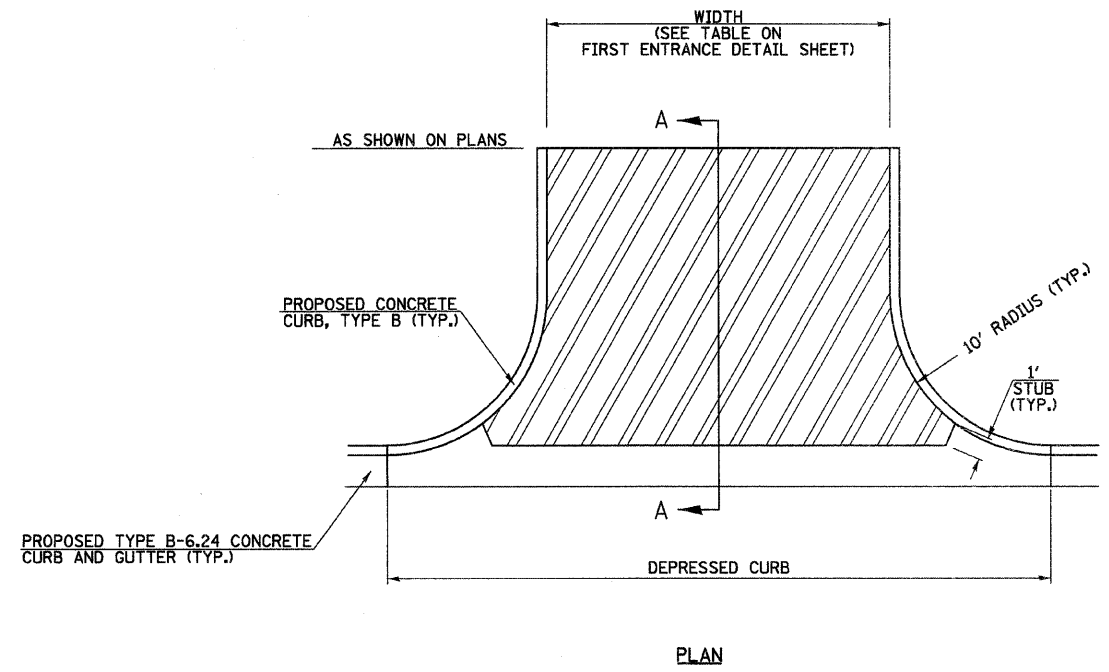
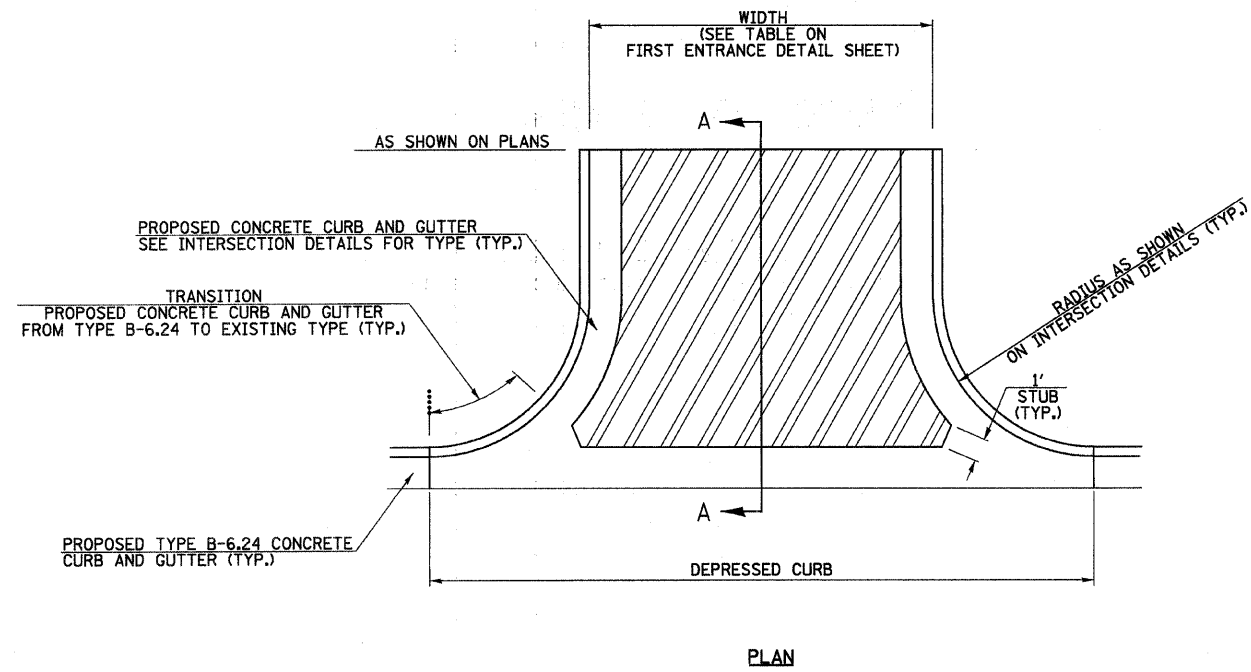
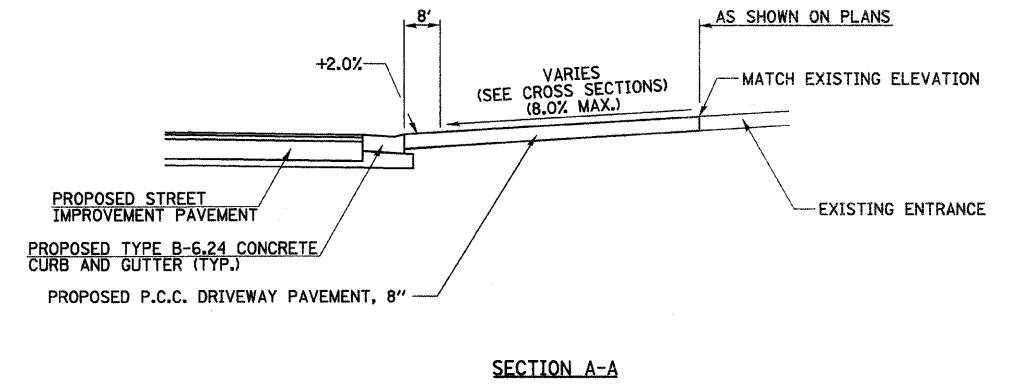


RTE. NO.	SECTION	COUNTY	TOTAL SHEETS	SHEET NO.
CH 2006-00275-00-PV		LaSALLE	218	122
STA. N/A	TO STA. N/A			
FED. ROAD DIST. NO. 3	ILLINOIS	FEDERAL AID PROJECT		
CONTRACT NO. 87352				



COMMERCIAL ENTRANCES WITH CURB & GUTTER

DETAIL E



COMMERCIAL ENTRANCES WITH TYPE B CURB

DETAIL F