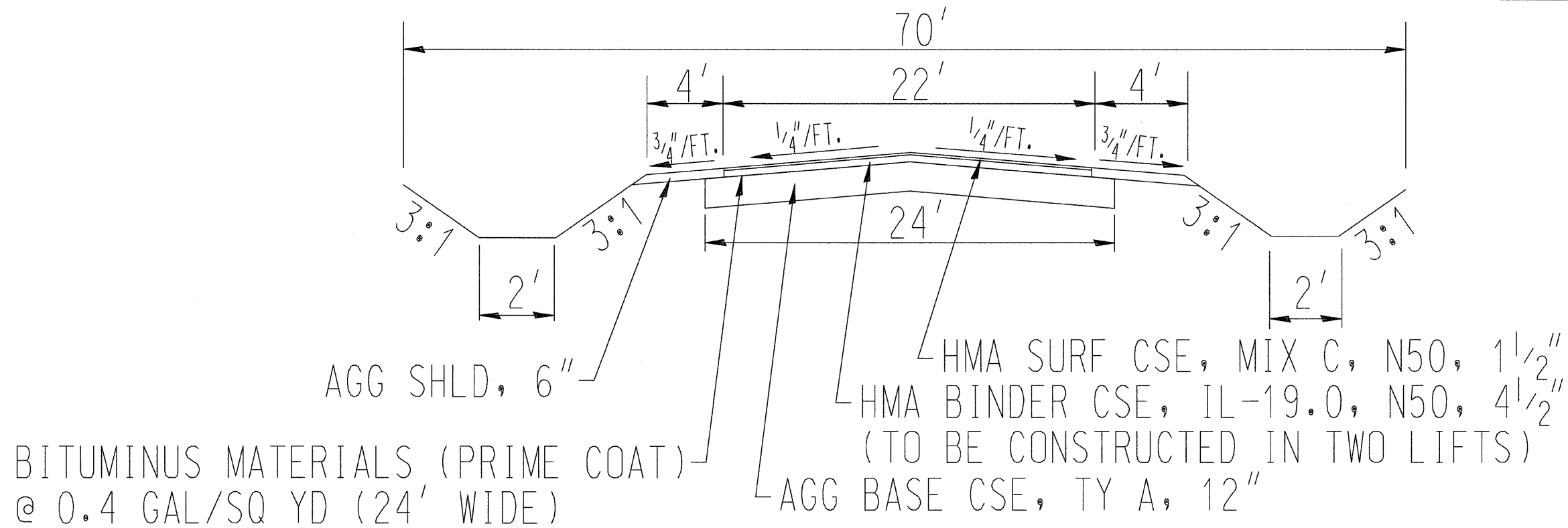


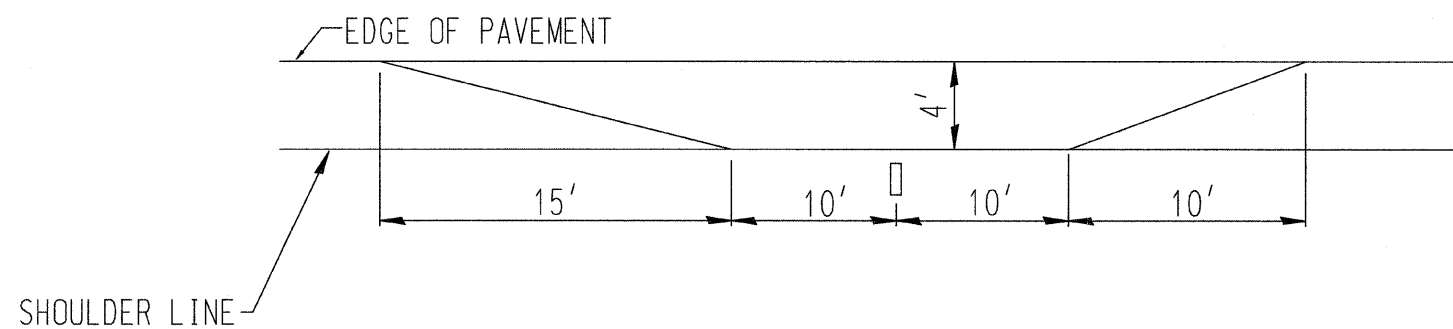
# PROPOSED TYPICAL CROSS SECTION STA. 29+05.68N TO STA. 36+93N

ROUTE NO	SECTION	COUNTY	TOTAL SHEETS	SHEET NO
48	*	KANKAKEE	56	7
CONTRACT NO.		87374		

\* 85-00221-00-BR



## TYPICAL MAILBOX TURNOUT DETAIL



EXISTING MAILBOXES WITHIN THE PROJECT LIMITS SHALL BE RELOCATED PER THE ABOVE DETAIL. THE FACE OF THE BOX TO BE 36" BEHIND THE ADJACENT EDGE OF PAVEMENT. THE BOTTOM OF THE BOX TO BE 42" ABOVE THE EDGE OF SHOULDER. (COST TO BE INCLUDED IN THE EARTH EXCAVATION PAY ITEM.)

MAILBOX TURNOUT SCHEDULE	
STATION	AGG BASE CSE, TY. A
38+03 RT	4 TON
47+23 RT	4 TON
67+21 LT	4 TON
20+50N LT	4 TON
27+87N RT	4 TON
<b>TOTAL</b>	<b>20 TON</b>