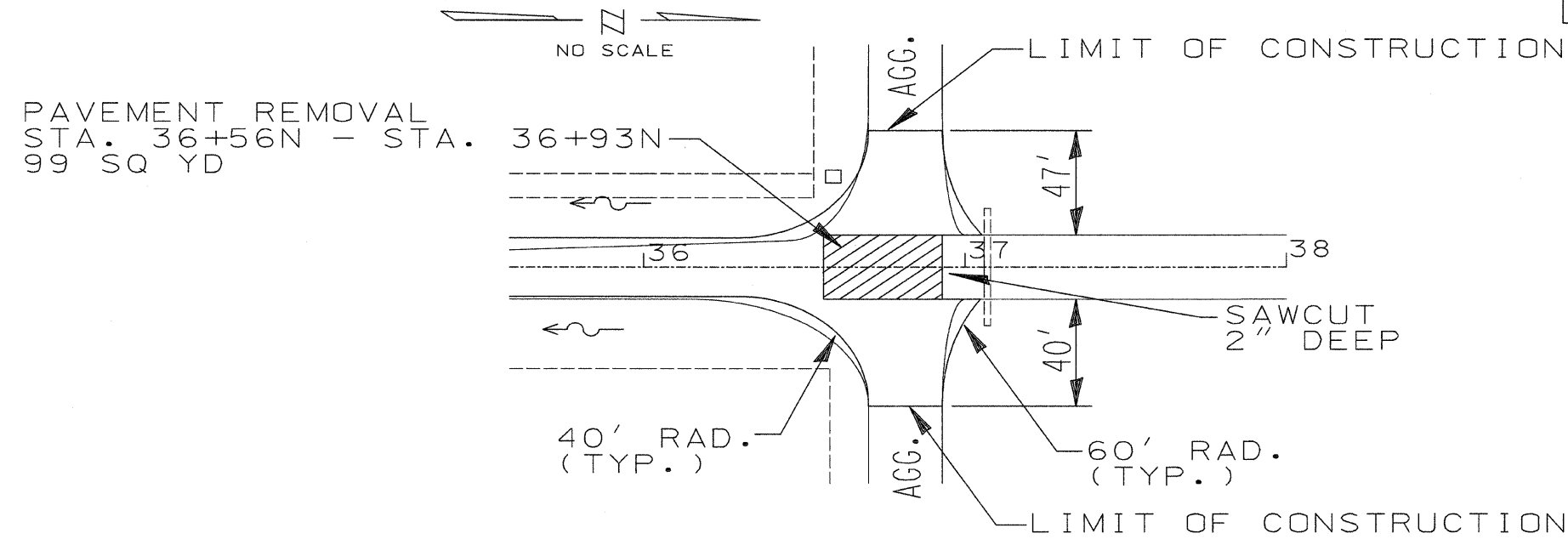


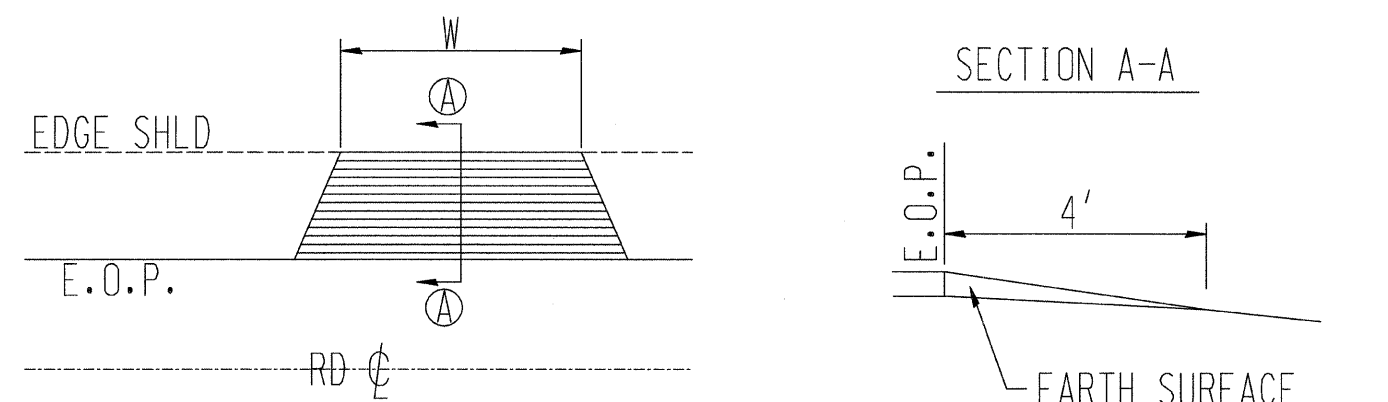
ROUTE NO	SECTION	COUNTY	TOTAL SHEETS	SHEET NO
CH 48	*	KANKAKEE	56	8

CONTRACT NO. 87374
* 85-00221-00-BR

INTERSECTION DETAIL

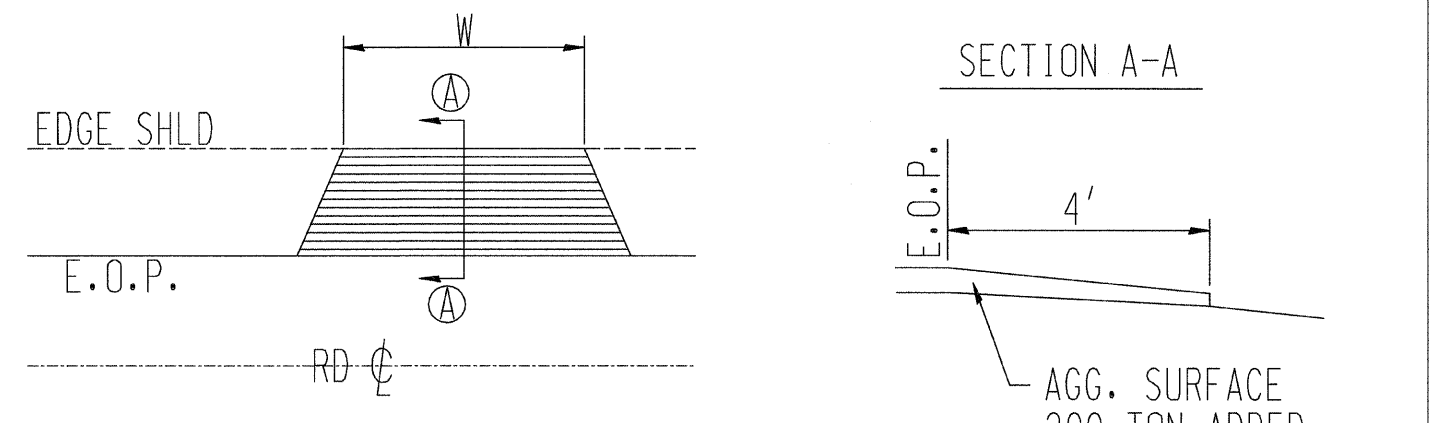


FIELD ENTRANCE DETAIL



W: WIDTH OF APPROACH PADS IS ESTIMATED AT 20' PER ENTRANCE. THE ACTUAL CONSTRUCTED WIDTH MAY VARY AS DIRECTED BY THE ENGINEER TO FIT THE PROPOSED AND EXISTING ENTRANCES.

PRIVATE ENTRANCE DETAIL



W: WIDTH OF APPROACH PADS IS ESTIMATED AT 20' PER ENTRANCE. THE ACTUAL CONSTRUCTED WIDTH MAY VARY AS DIRECTED BY THE ENGINEER TO FIT THE PROPOSED AND EXISTING ENTRANCES. SEE SHEETS 52 & 54 OF PLANS FOR BIT DRIVE DETAILS.