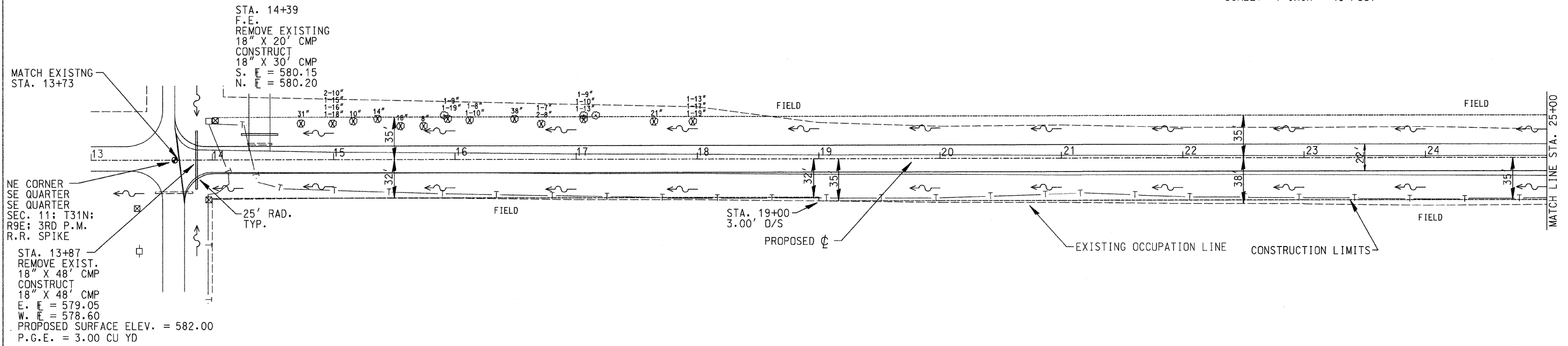


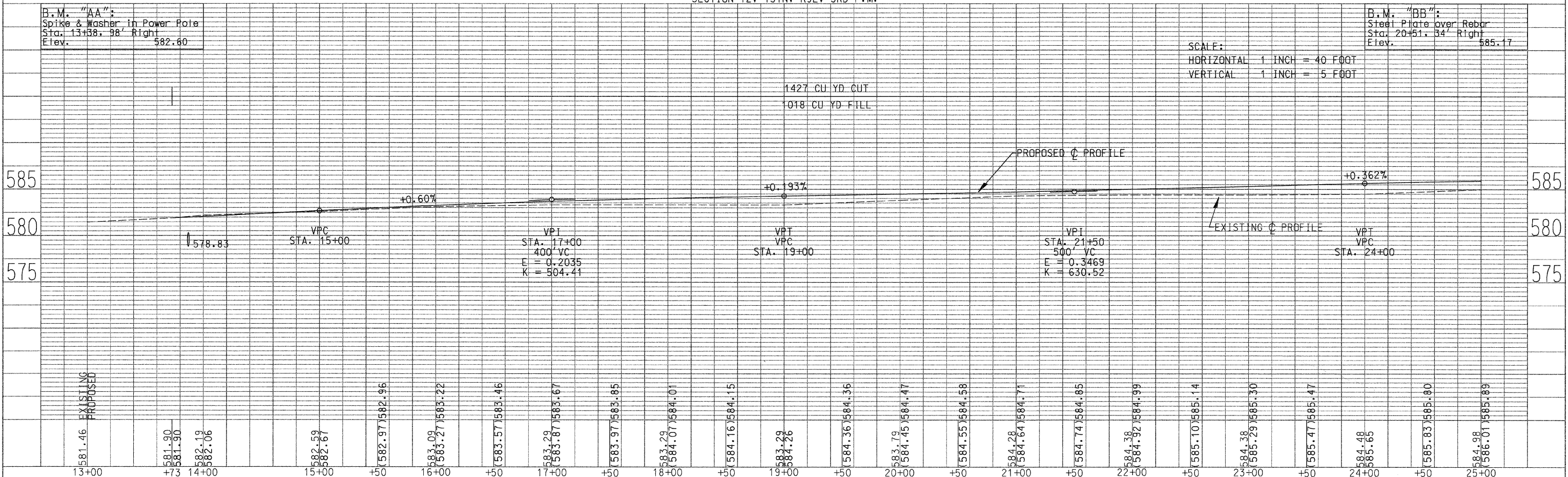
SECTION 11: T31N; R9E; 3RD P.M.

ROUTE NO.	SECTION	COUNTY	TOTAL SHEETS	SHEET NO.
CH 48	85-00221-00-BR	KANKAKEE	56	14
CONTRACT NO. 87374				

SCALE: 1 INCH = 40 FOOT



SECTION 12: T31N; R9E; 3RD P.M.



SCALE:
HORIZONTAL 1 INCH = 40 FOOT
VERTICAL 1 INCH = 5 FOOT

B.M. "AA":
Spike & Washer in Power Pole
Sta. 13+38.98' Right
Elev. 582.60

B.M. "BB":
Steel Plate over Rebar
Sta. 20+51.34' Right
Elev. 585.17