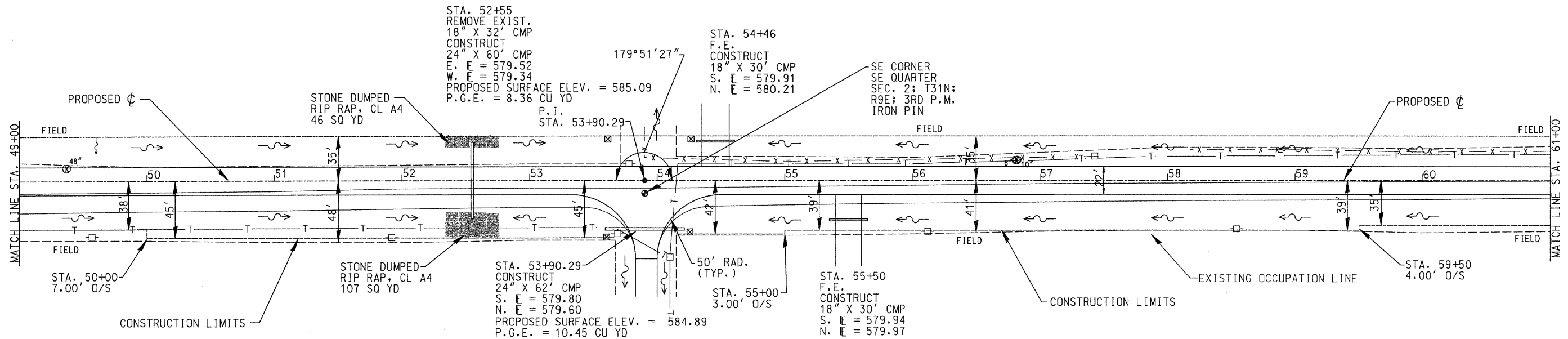


ROUTE NO.	SECTION	COUNTY	TOTAL SHEETS	SHEET NO.
CH 48	85-00221-00-BR	KANKAKEE	56	17
CONTRACT NO.			87374	

SCALE: 1 INCH = 40 FOOT



B.M. "FF":
Spike & Washer in Power Pole
Sta. 51+92, 35' Right
Elev. 582.32

B.M. "GG":
Spike & Washer in Power Pole
Sta. 58+54, 28' Right
Elev. 582.79

SCALE:
HORIZONTAL 1 INCH = 40 FEET
VERTICAL 1 INCH = 5 FEET

