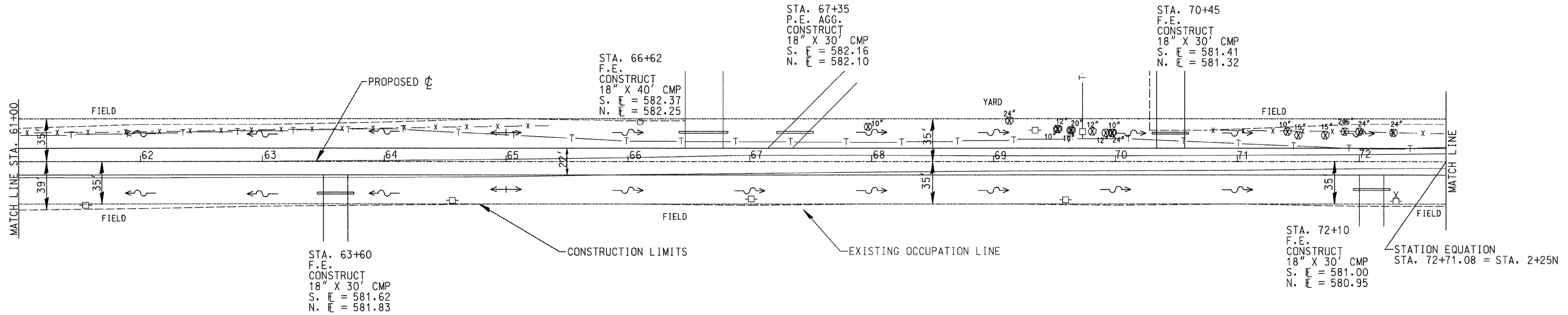


ROUTE NO.	SECTION	COUNTY	TOTAL SHEETS	SHEET NO.
CH 48	85-00221-00-BR	KANKAKEE	56	18
CONTRACT NO.		87374		

SCALE: 1 INCH = 40 FOOT



B.M. "GG":  
Spike & Washer in Power Pole  
Sta. 58+54, 28' Right  
Elev. 582.79

B.M. "HH":  
Spike & Washer in Power Pole  
Sta. 42+67, 32' Right  
Elev. 585.29

SCALE:  
HORIZONTAL 1 INCH = 40 FOOT  
VERTICAL 1 INCH = 5 FOOT

