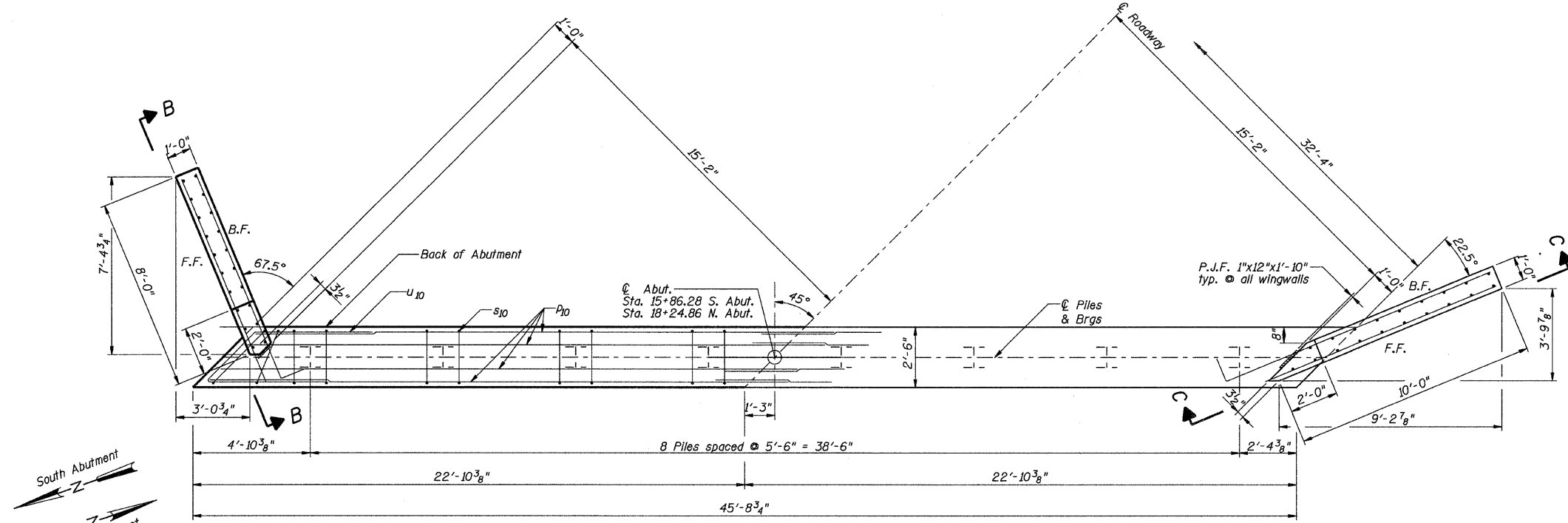
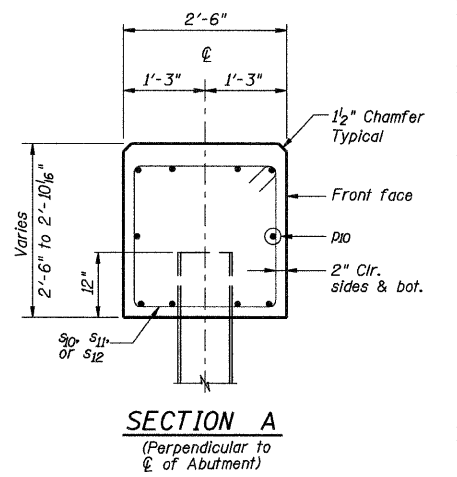


ROUTE NO.	SECTION	COUNTY	SHEET NO.	TOTAL SHEETS
C.H. 48	*	Kankakee	56	30

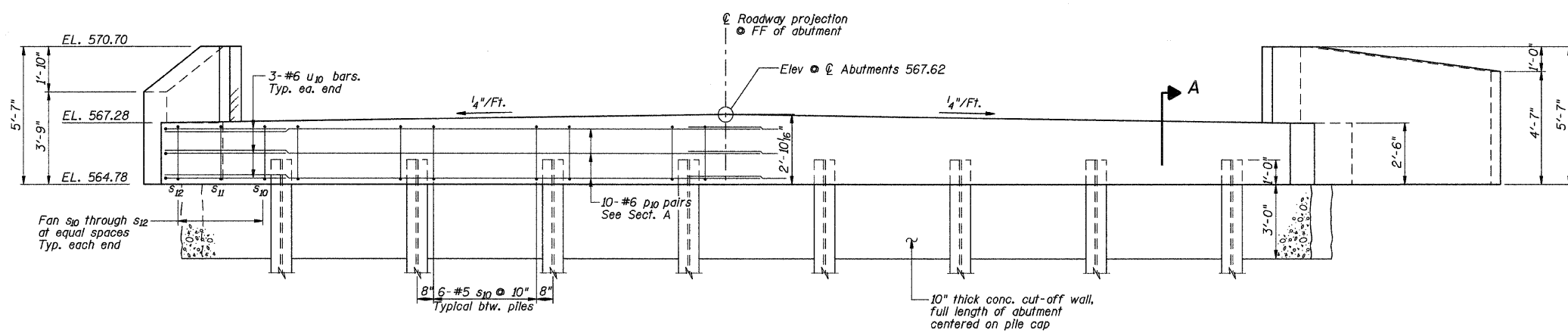
*85-00221-00-BR



PLAN
(Symmetrical about ϕ Abutment)



SECTION A
(Perpendicular to ϕ of Abutment)



ELEVATION
Front Projection
(Symmetrical about ϕ Pier)

NOTE: All edges shall have Standard $\frac{3}{4}$ " Chamfer, except as noted.

BILL OF MATERIAL - 2 ABUTS.

Bar	No.	Size	Length	Shape
h10	6	# 5	9'-1"	—
h11	6	# 5	10'-4"	—
h12	4	# 5	7'-7"	—
h13	4	# 5	5'-5"	—
h14	4	# 5	7'-10"	—
h15	6	# 5	10'-4"	—
h16	6	# 5	12'-10"	—
h17	4	# 5	9'-8"	—
h18	4	# 5	8'-2"	—
h19	2	# 5	9'-8"	—
h20	2	# 5	8'-2"	—
P10	40	# 6	24'-0"	—
S10	88	# 5	9'-7"	—
S11	4	# 5	9'-11"	—
S12	4	# 5	11'-5"	—
U10	12	# 6	12'-10"	—
V1	18	# 4	5'-4"	—
V2	4	# 4	5'-1"	—
V3	4	# 4	4'-10"	—
V4	4	# 4	4'-7"	—
V5	4	# 4	4'-4"	—
V6	4	# 4	4'-1"	—
V7	4	# 4	3'-10"	—
V8	4	# 4	3'-7"	—
V9	4	# 4	5'-0"	—
V10	4	# 4	4'-11"	—
V11	4	# 4	4'-9"	—
V12	4	# 4	4'-8"	—
V13	4	# 4	4'-6"	—
V14	4	# 4	4'-5"	—
V15	4	# 4	4'-3"	—
V16	4	# 4	4'-2"	—
Concrete Structures		Cu. Yds.	29.0	
Reinforcement Bars		Lbs.	3,350	
Test Pile, Steel HP10x42		Each	2	
Furnishing Steel Piles HP10x42		Foot	280	
Driving Piles		Foot	280	
Metal Shoes		Each	16	
Name Plate		Each	1	
Concrete Cut-off Wall		Cu. Yds.	8.5	
Structure Excavation		Cu. Yds.	188	

PILE DATA

Location: Abutments
 Pile Type and Size: Steel HP 10x42
 Nominal Required Bearing: 335 kips
 Factored Resistance Available: 167 kips
 Estimated Pile Length: 20 ft.
 No. of Production Piles: 7 \bullet North Abutment
 7 \bullet South Abutment
 No. of Test Piles: 1 \bullet North Abutment
 1 \bullet South Abutment

Note: The Steel H-piles shall be according to AASHTO M270 Grade 50.

DSGN	K.J. Hoffmann				
DR	K.J. Hoffmann				
CHK	J.R. Wolf				
APVD	A. Fraenhoffer	NO.	DATE	REVISION	BY

FRAUENHÖFFER
 Fraenhoffer and Associates, P.C. Consulting Engineers
 3002 Crossing Court Champaign, IL 61822 217-351-6268

ABUTMENTS (SHEET 1 OF 2)		SHEET	30
CH 48 OVER HORSE CREEK SECTION 85-00221-00-BR KANKAKEE COUNTY		DWG NO.	85019-abt.dgn
		DATE	FEB 2007
		PROJ NO.	85019