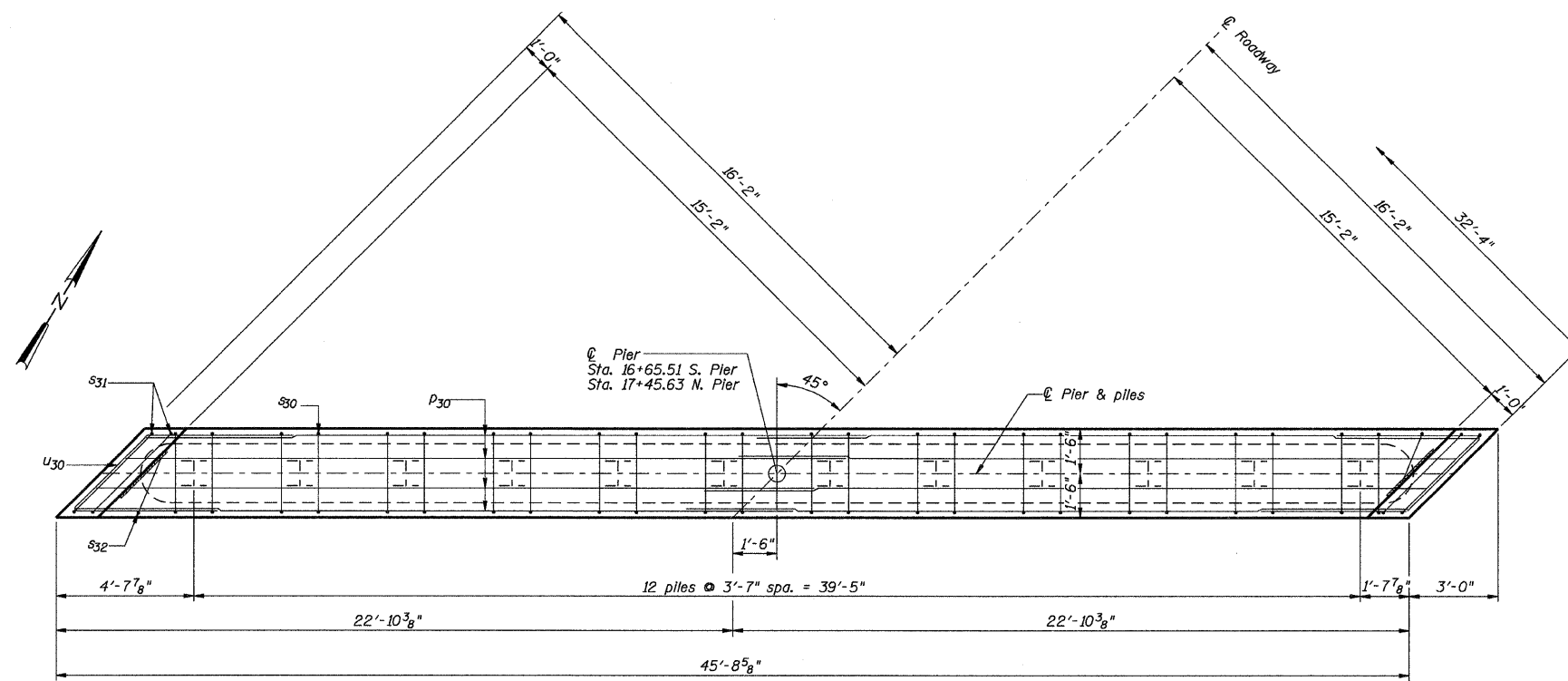


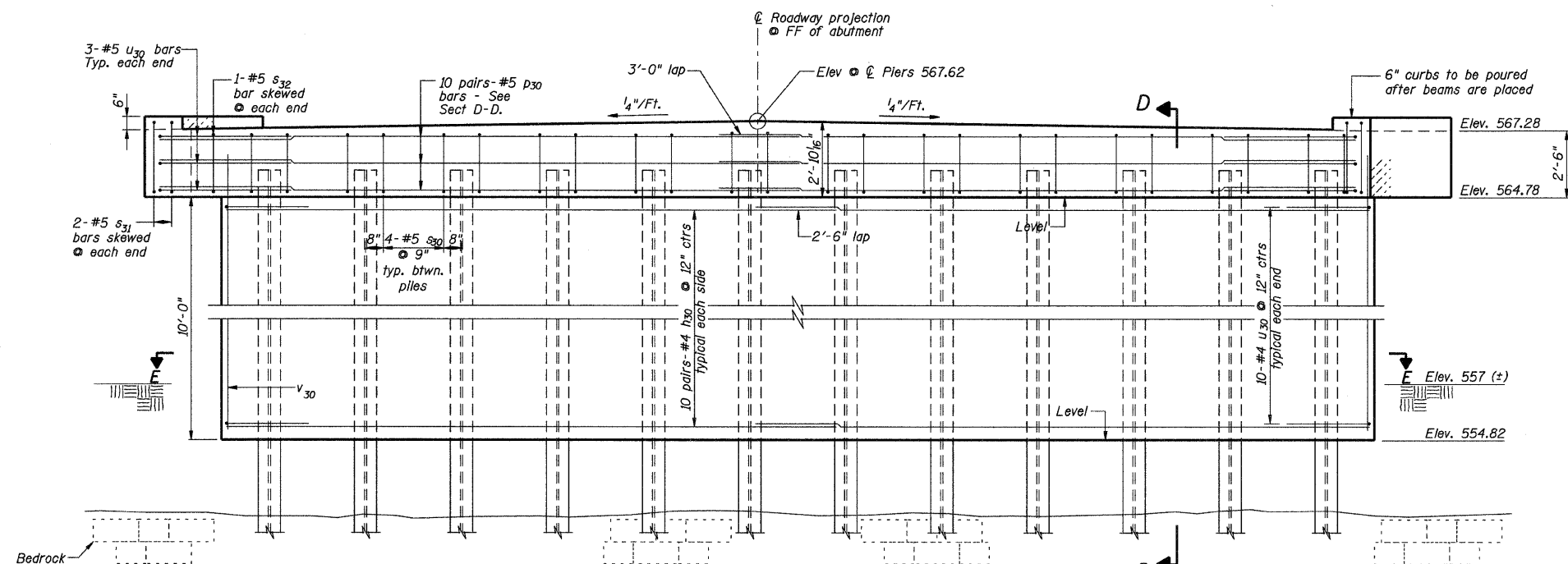
CONTRACT #87374

ROUTE NO.	SECTION	COUNTY	TOTAL SHEETS	SHEET NO.
C.H. 48	*	Kankakee	56	32
FED. ROAD DIST. NO. 7	ILLINOIS	FED. AID PROJECT		

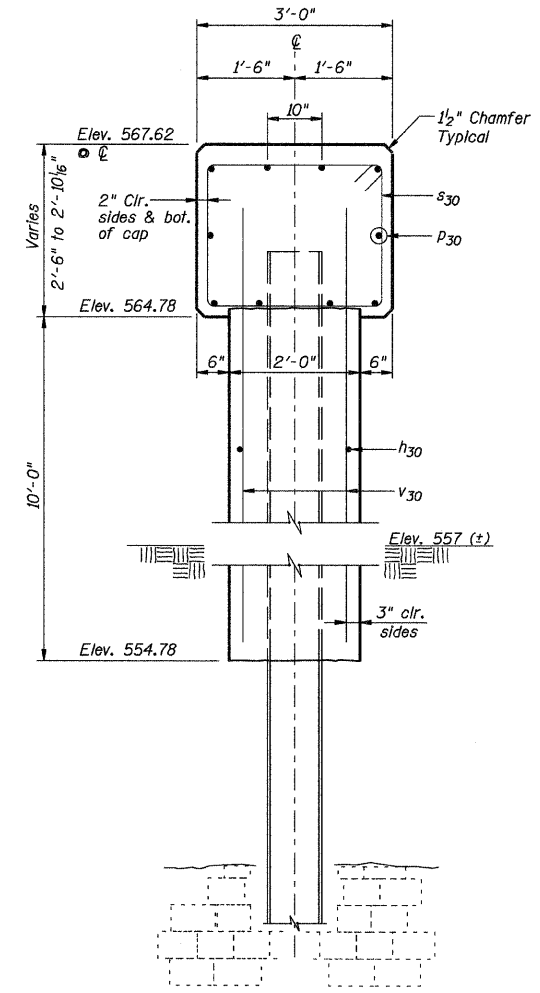
#85-00221-00-BR



PLAN
(Symmetrical about $\text{\textcircled{C}}$ Pier)



ELEVATION
Front Projection
(Symmetrical about $\text{\textcircled{C}}$ Pier)



SECTION D-D
(Perpendicular to $\text{\textcircled{C}}$ of Pier)

DSGN	K.J. Hoffmann				
DR	K.J. Hoffmann				
CHK	J.R. Wolf				
APVD	J.A. Fraenhoffer	NO.	DATE	REVISION	BY

FRAUENHOFFER
Frauenhoffer and Associates, P.C. Consulting Engineers
3002 Crossing Court Champaign, IL 61822 217-351-6268

PIERS (SHEET 1 OF 2)		SHEET	32
CH 48 OVER HORSE CREEK		DWG NO.	85019-PIER.dwg
SECTION 85-00221-00-BR		DATE	DEC 2007
KANKAKEE COUNTY		PROJ NO.	85019