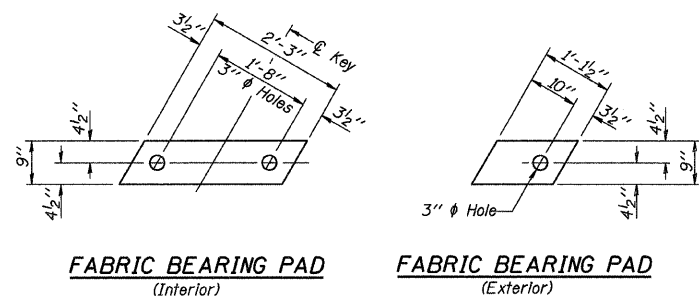
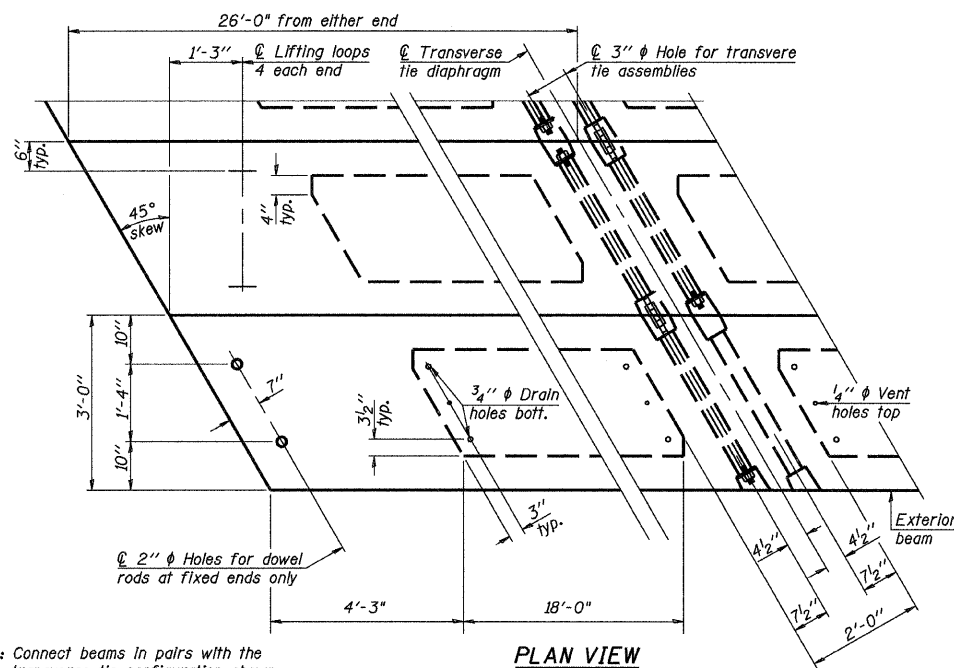
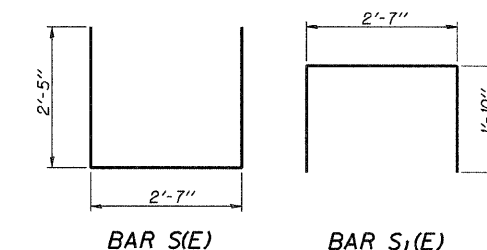
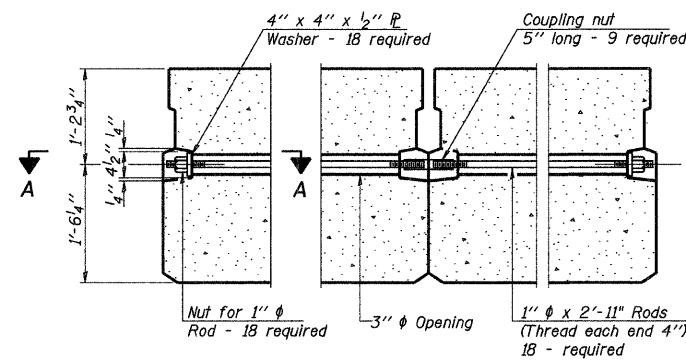
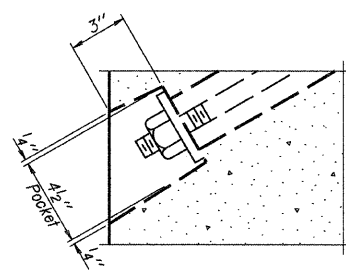


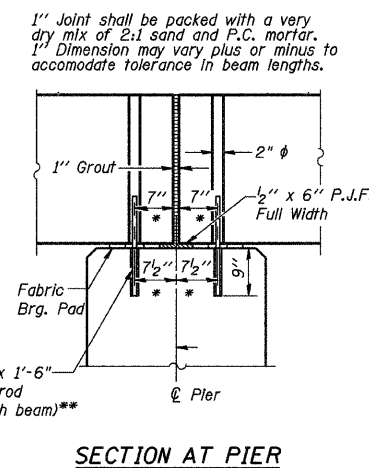
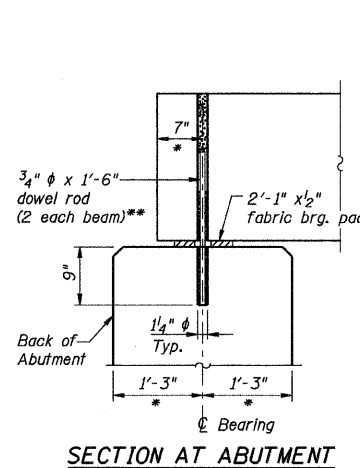
ROUTE NO.	SECTION	COUNTY	SHEETS	SHEET NO.
CH 48	*	Kankakee	56	35
FED. ROAD DIST. NO. 7		ILL. STATE FED. AID PROJECT-		



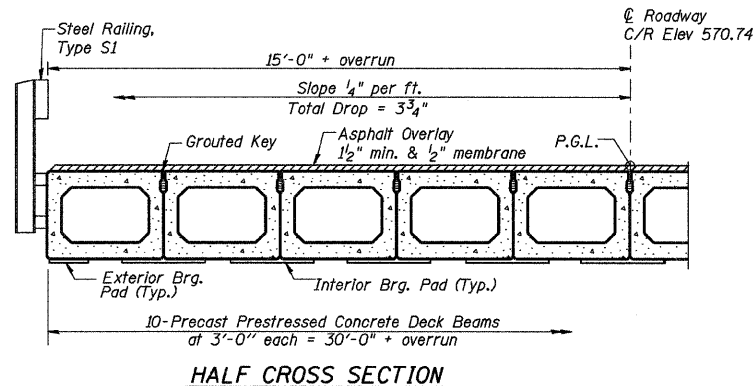
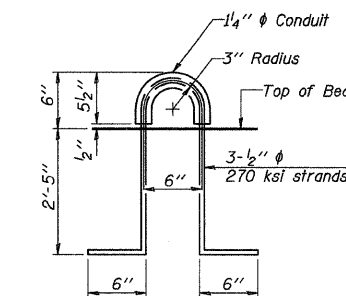
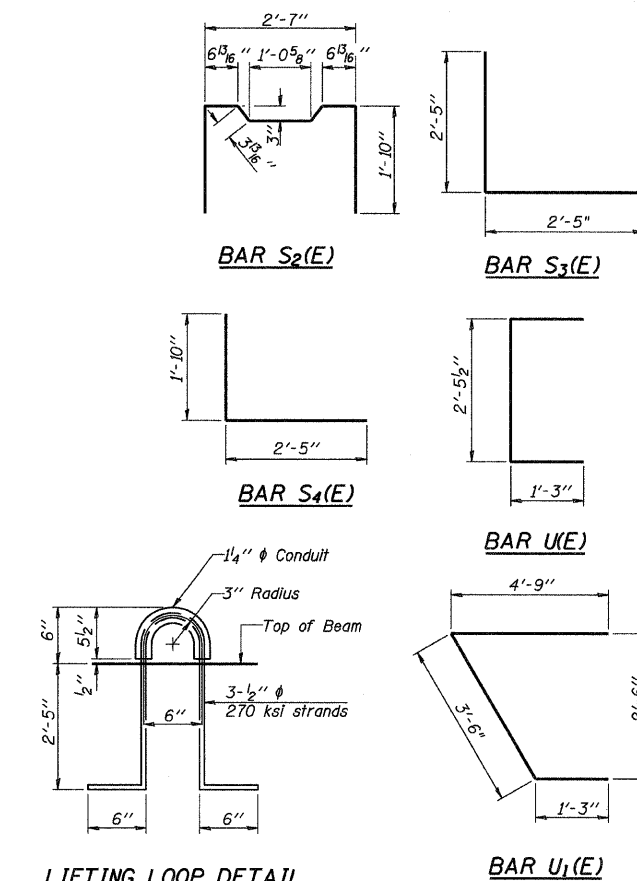
FIXED
 Note: Omit holes when using expansion bearings.



Note: Connect beams in pairs with the transverse tie configuration shown.



* Perpendicular to C of abutment or pier
 ** Dowel rods to be grouted after beams are in place and prior to grouting the shear keys



NOTES

Prestressing steel shall be uncoated high strength, low relaxation 7-wire strand, Grade 270. The nominal diameter shall be 1/2" and the nominal cross-sectional area shall be 0.153 sq. in. The 1" rods in the transverse tie assembly shall be tightened to a snug fit and the threads set. Pockets on exterior faces of bridge shall be filled with grout after transverse tie assembly is in place.
 Reinforcement bars shall conform to ASTM A 706 (IL MOD), Grade 60. (See Special Provisions)
 Two 1/8" fabric adjusting shims of the dimensions of the exterior bearing pad shall be provided for each bearing pad location.
 A minimum 2 1/2" x 1/2" lifting pin shall be used to engage the lifting loops during handling.
 Corrosion Inhibitor, per Article 1020.05(b)(12) and 1021.06 of the Standard Specifications, shall be used in the concrete for precast prestressed concrete deck beams.
 Compressive strength of prestressed concrete, f'c, shall be 6000 psi.
 Compressive strength of prestressed concrete at release, f'cl, shall be 5000 psi.

BILL OF MATERIAL

Precast Prestressed Conc. Deck Bms. (33" depth)	Sq. Ft.	7200
---	---------	------

DSGN	K.J. Hoffmann				
DR	K.J. Hoffmann				
CHK	J.R. Wolf				
APVD	J.A. Frauenhoffer	NO.	DATE	REVISION	BY

FRAUENHOFFER

Frauenhoffer and Associates, P.C. Consulting Engineers
 3002 Crossing Court Champaign, Il. 61822 217-351-6268

SUPERSTRUCTURE DETAILS (SHEET 2 OF 2)

CH 48 OVER HORSE CREEK
 SECTION 85-00221-00-BR
 KANKAKEE COUNTY

SHEET	35
DWG NO.	85019-sup.dgn
DATE	DEC 2007
PROJ NO.	85019