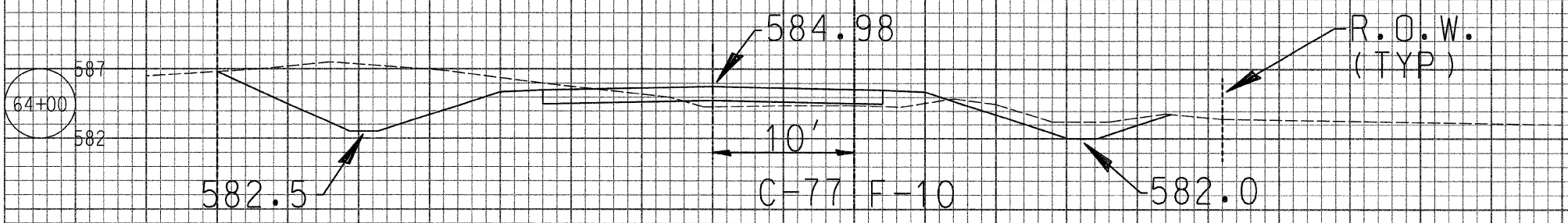
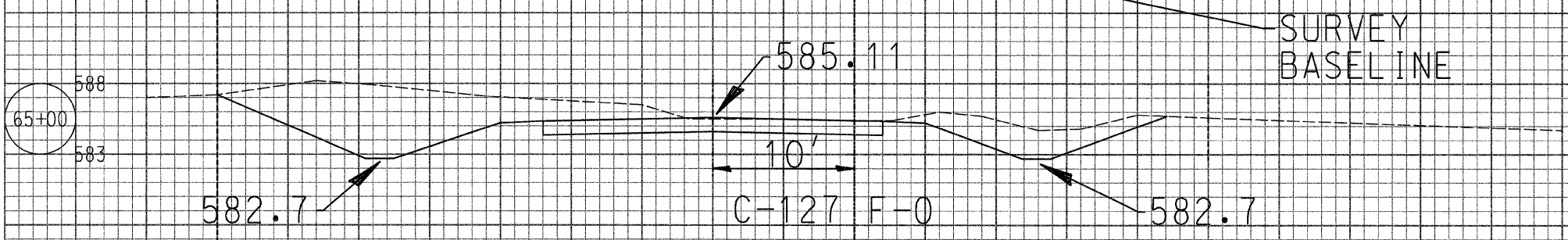
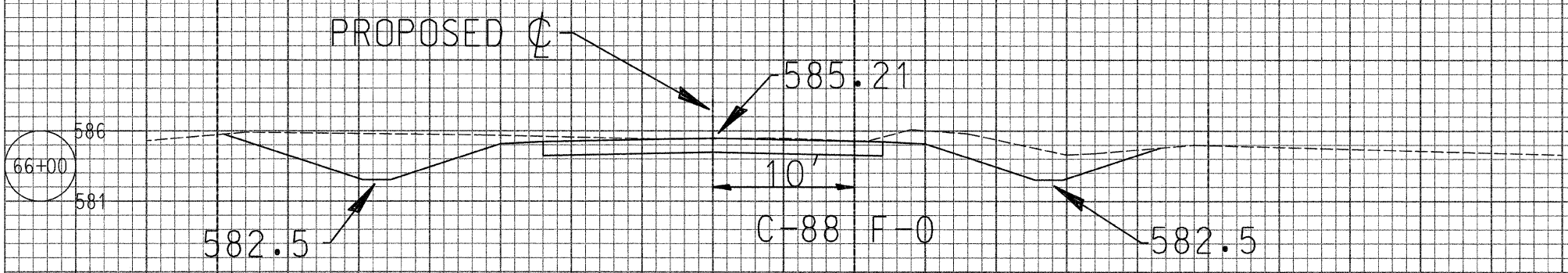
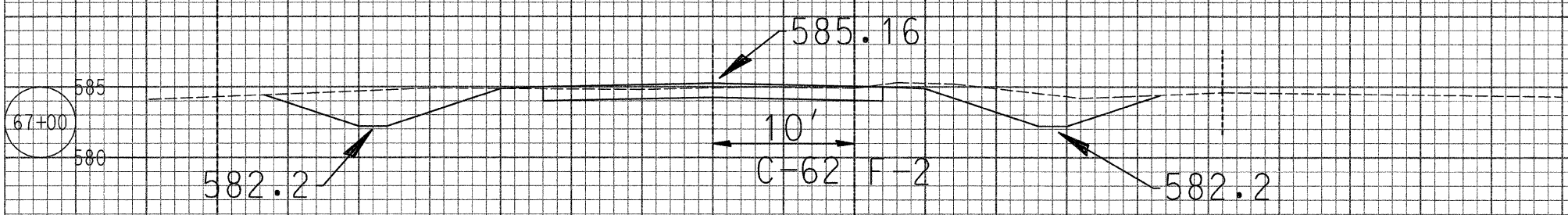
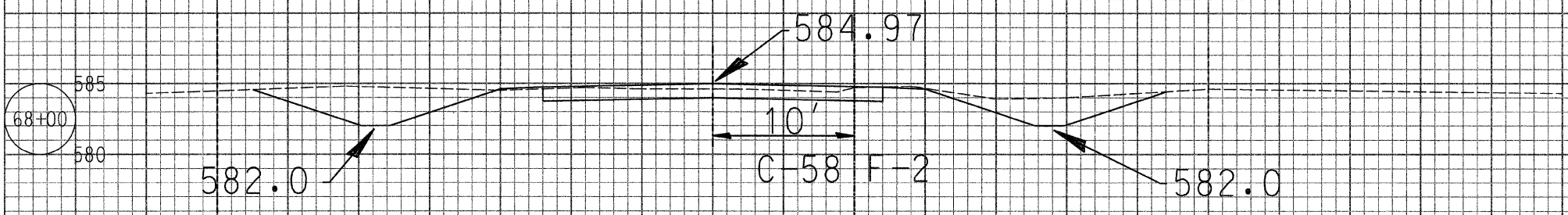


ROUTE NO	SECTION	COUNTY	TOTAL SHEETS	SHEET NO
CH 48	*	KANKAKEE	56	47
CONTRACT NO. 187374				
* 85-00221-00-BR				



50' 45' 40' 35' 30' 25' 20' 15' 10' 5' 0' 5' 10' 15' 20' 25' 30' 35' 40' 45' 50'