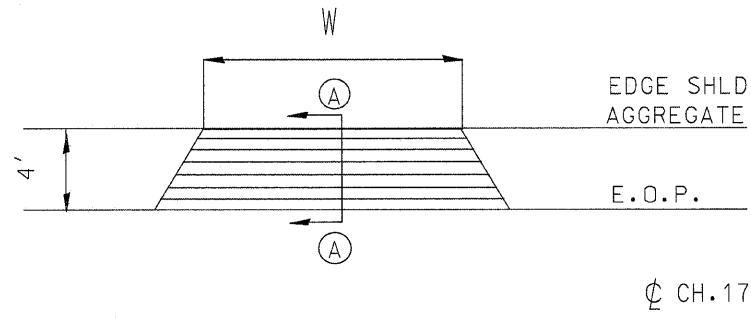
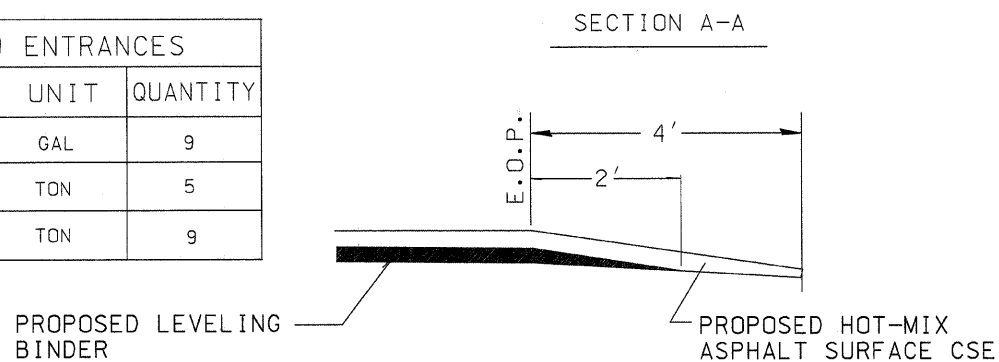


TYPICAL ENTRANCE DETAIL

W :WIDTH OF APPROACH PADS IS ESTIMATED AT 20' PER ENTRANCE . THE ACTUAL CONSTRUCTED WIDTH MAY VARY AS DIRECTED BY THE ENGINEER TO FIT THE EXISTING ENTRANCES .
FIELD ENTRANCES SHALL NOT RECEIVE HOT-MIX ASPHALT SURFACING UNLESS DIRECTED BY THE ENGINEER.



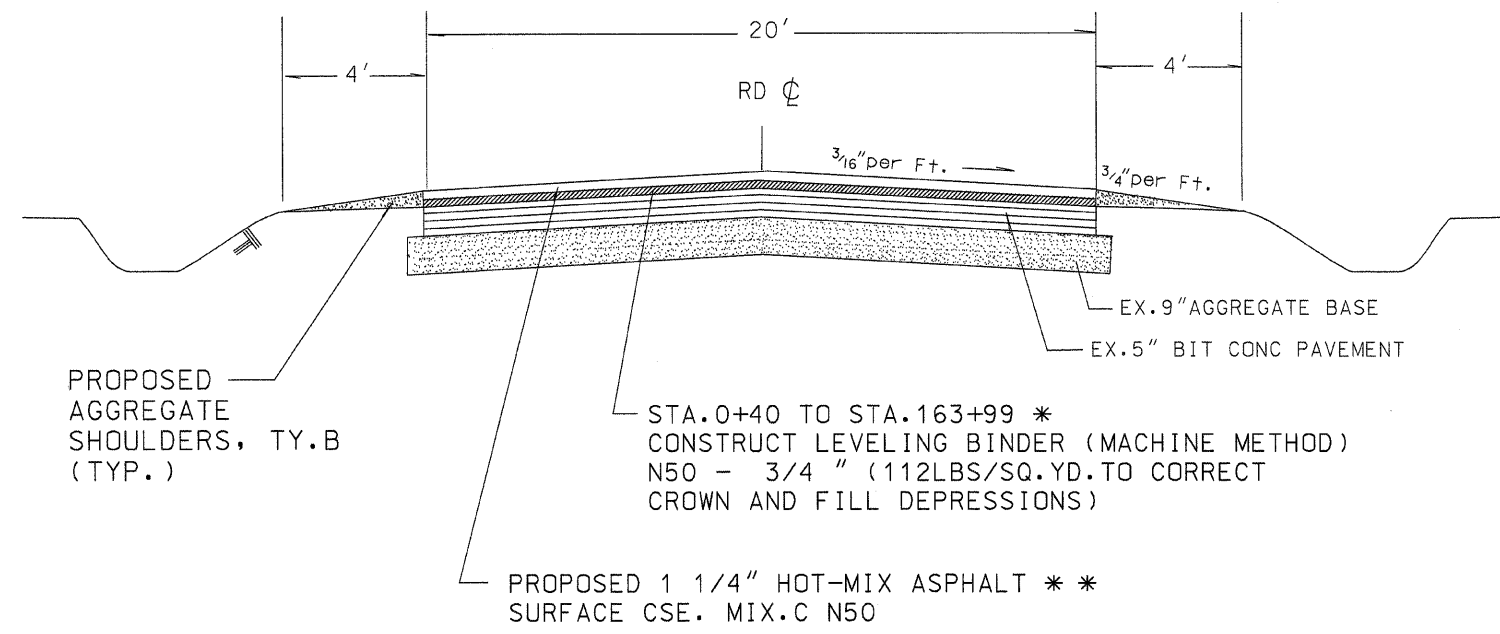
| ESTIMATED QUANTITIES- 9 ENTRANCES | | |
|--|------|----------|
| ITEM | UNIT | QUANTITY |
| BITUMINOUS MATERIALS (PRIME COAT) | GAL | 9 |
| LEVELING BINDER (MM) N50 | TON | 5 |
| HOT-MIX ASPHALT SURFACE CSE MIX C, N50 | TON | 9 |



| | | | |
|--------------------|----------|--------------|-----------|
| SECTION | COUNTY | TOTAL SHEETS | SHEET NO. |
| 04-00047-01-RS | KANKAKEE | 3 | 2 |
| CONTRACT NO. 87387 | | | |

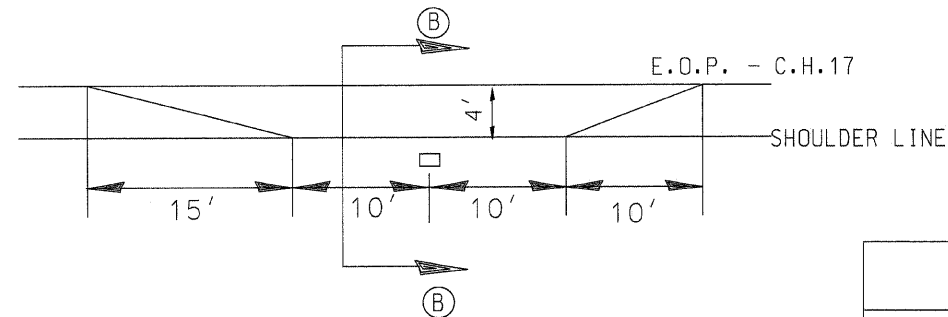
TYPICAL CROSS SECTION

STA.0+10 TO STA.164+29

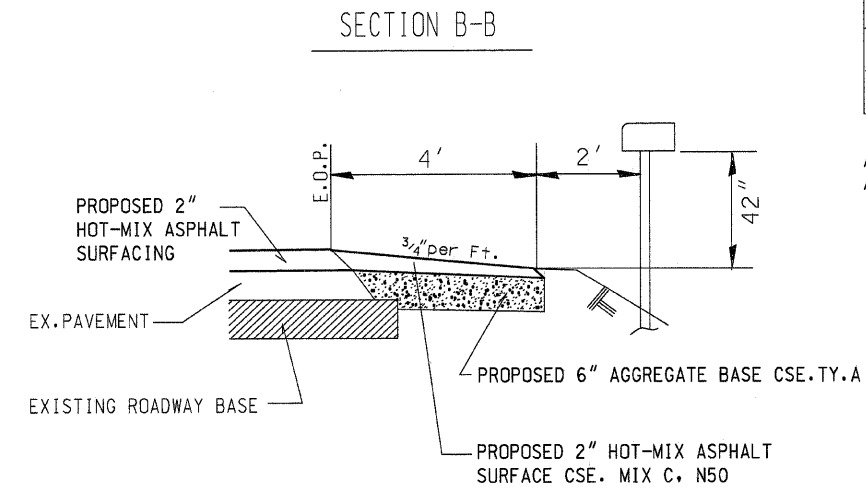


* LEVELING BINDER OMISSIONS: STA.56+02 TO STA.57+28 (BRIDGE LOCATION)
 ** HMA SURFACE CSE OMISSION: STA.56+32 TO STA.56+98 (BRIDGE DECK GAP)

TYPICAL MAILBOX TURNOUT DETAIL



| ESTIMATED QUANTITIES - 5 MAILBOX TURNOUTS | | |
|---|-------|----------|
| ITEM | UNIT | QUANTITY |
| EARTH EXCAVATION | CU YD | 17 |
| AGGREGATE BASE CSE, TY.A | TON | 34 |
| BIT. MATERIALS (PRIME COAT) | GAL | 5 |
| HOT-MIX ASPHALT SURFACE CSE MIX C N50 | TON | 15 |



ALL MBTO'S HAVE BEEN PREVIOUSLY CONSTRUCTED AND SHALL RECEIVE HMA SURFACING ONLY.

| MAILBOX TURNOUT SCHEDULE | |
|--------------------------|------|
| STATION | SIDE |
| 90+08 | LT |
| 98+04 | LT |
| 122+27 | RT |
| 122+95 | RT |
| 125+86 | RT |

GUARDRAIL AND FURNISHED EXCAVATION SCHEDULE

| LOCATION | GUARDRAIL REMOVAL | TRAFFIC BARRIER TERMINAL TY.5A | TRAFFIC BARRIER TERMINAL TY.1 | FURNISH EXCAVATION, SPECIAL † |
|----------|-------------------|--------------------------------|-------------------------------|-------------------------------|
| 56+32 RT | 43 FOOT | 1 EACH | 1 EACH | 20 CU YD |
| 56+32 LT | 75 FOOT | 1 EACH | 1 EACH | 20 CU YD |
| 56+98 RT | 67 FOOT | 1 EACH | 1 EACH | 20 CU YD |
| 56+98 LT | 50 FOOT | 1 EACH | 1 EACH | 20 CU YD |
| | 235 FOOT | 4 EACH | 4 EACH | 80 CU YD |

† CONSTRUCT SHOULDER EMBANKMENT SUFFICIENT TO INSTALL NEW GUARDRAIL TERMINAL SECTIONS

ESTIMATED QUANTITIES ON TANGENTS

| ITEM | UNIT | QUANTITY |
|--|--------|----------|
| AGGREGATE SHOULDERS TY.B | TON | 1895 |
| BITUMINOUS MATERIALS (PRIME COAT) | GALLON | 3649 |
| AGGREGATE (PRIME COAT) | TON | 73 |
| HOT-MIX ASPHALT SURFACE CSE MIX C, N50 | TON | 2554 |
| LEVELING BINDER (MM) N50 | TON | 2025 |
| SHORT-TERM PAVEMENT MARKING | FOOT | 3127 |