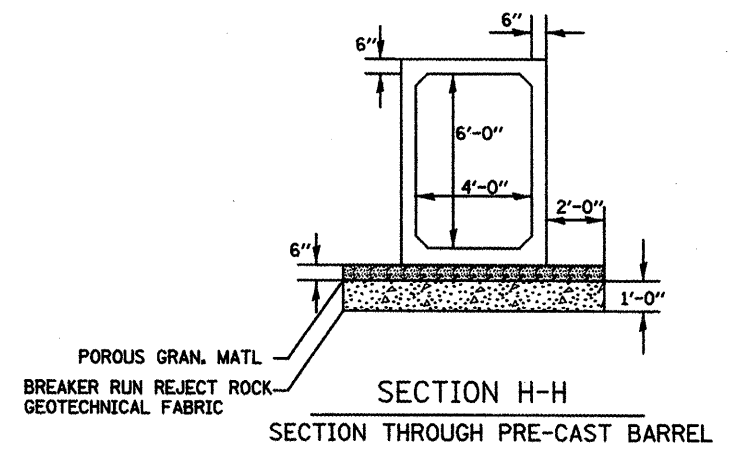
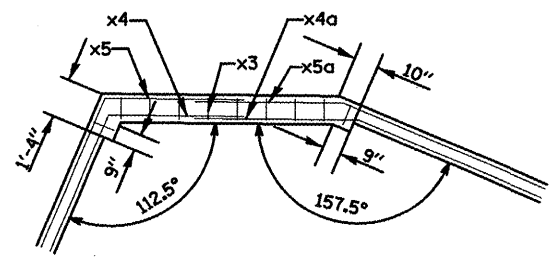


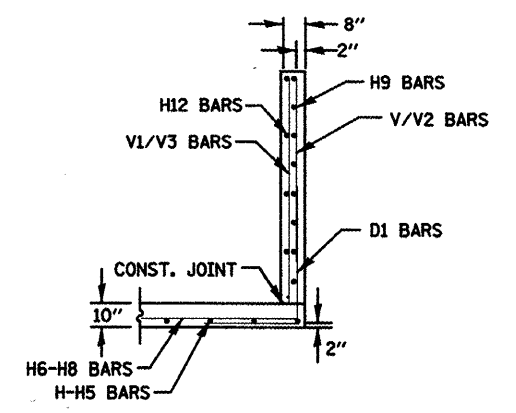
SECTION F-F
HEADWALL & APRON
CONNECTION TO COLLAR



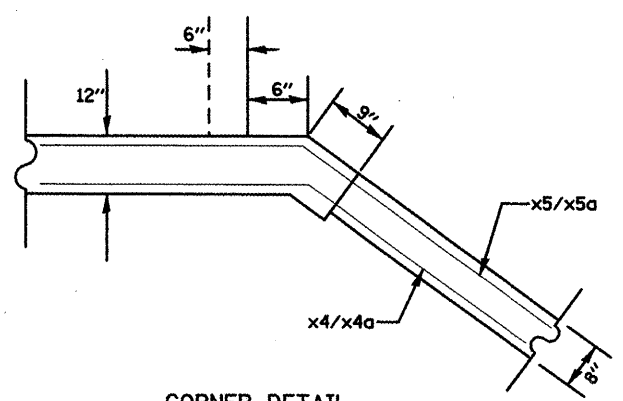
SECTION H-H
SECTION THROUGH PRE-CAST BARREL



HEADWALL



SECTION G-G
WINGWALL CONNECTION
TO APRON



CORNER DETAIL
(TYPICAL BOTH CORNERS)

DRAWING NOT TO SCALE

FILE NAME = d:\mindetail.dgn	USER NAME = ghdineam	DESIGNED -	REVISED -	STATE OF ILLINOIS DEPARTMENT OF TRANSPORTATION	STA. 98+00 4' X 6' BOX CULVERT EXTENSION DETAIL	F.A.P. RTE.	SECTION	COUNTY	TOTAL SHEETS	SHEET NO.	
		DRAWN -	REVISED -			665	(136.137)WARS-3(136R)1098R-1	HENDERSON		128	
		CHECKED -	REVISED -			CONTRACT NO. 88773					
		DATE -	REVISED -			SCALE:	SHEET NO.	OF	SHEETS	STA.	TO STA.