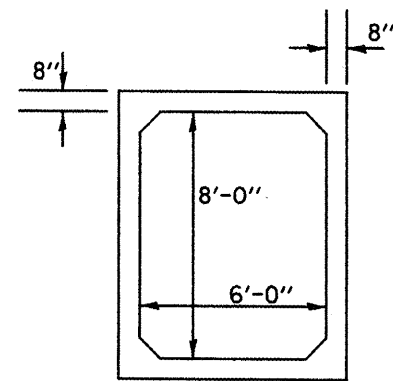
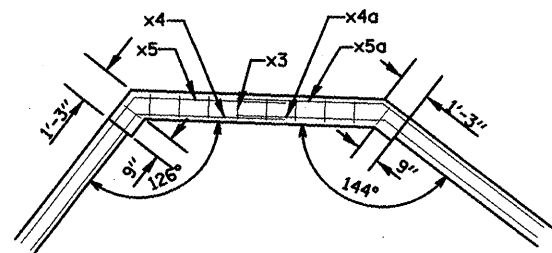


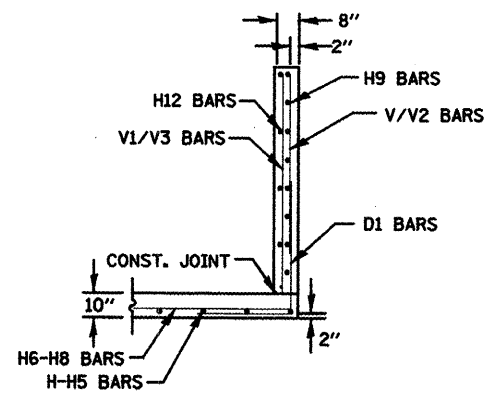
SECTION F-F
HEADWALL & APRON
CONNECTION TO COLLAR



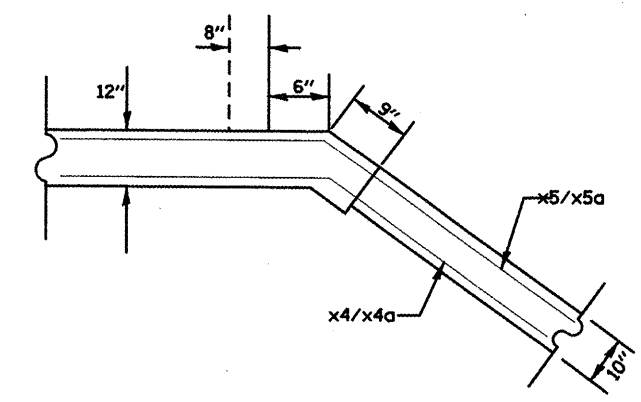
SECTION H-H
SECTION THROUGH PRE-CAST BARREL



HEADWALL



SECTION G-G
WINGWALL CONNECTION
TO APRON



CORNER DETAIL
(TYPICAL BOTH CORNERS)

DRAWING NOT TO SCALE

FILE NAME = d-andetail.dgn	USER NAME = ghidineam	DESIGNED -	REVISED -	STATE OF ILLINOIS DEPARTMENT OF TRANSPORTATION	STA. 124+22 6' X 8' BOX CULVERT EXTENSION DETAIL	F.A.P. RTE.	SECTION	COUNTY	TOTAL SHEETS	SHEET NO.
	PLOT SCALE = 100.0000' / IN.	DRAWN -	REVISED -			665	036.137W&RS-3d36R109BR-1	HENDERSON		135
	PLOT DATE = 1/28/2009	CHECKED -	REVISED -			CONTRACT NO. 88773				
		DATE -	REVISED -			FED. ROAD DIST. NO. ILLINOIS FED. AID PROJECT				
					SCALE:	SHEET NO. OF SHEETS STA. TO STA.				