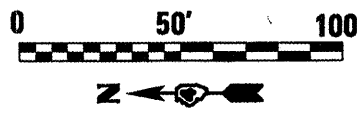
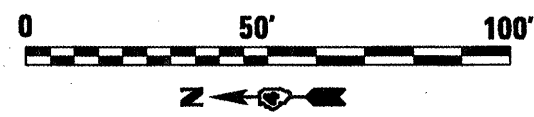
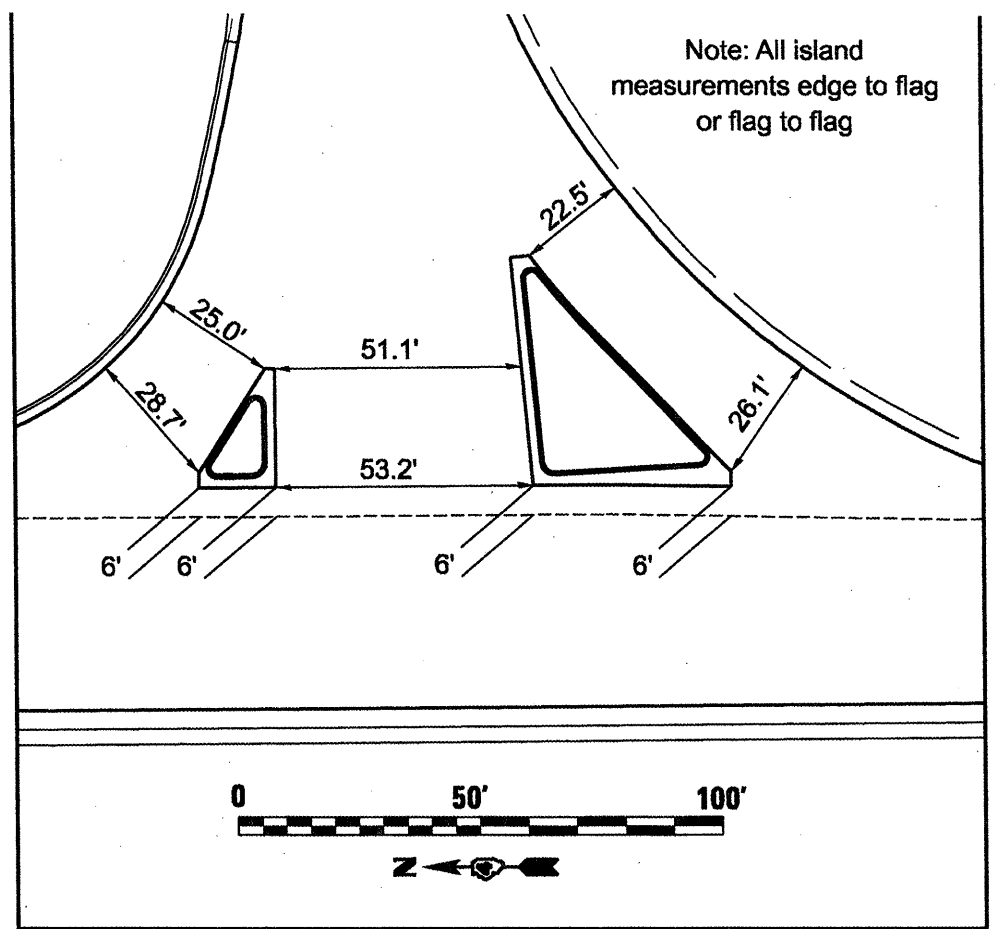
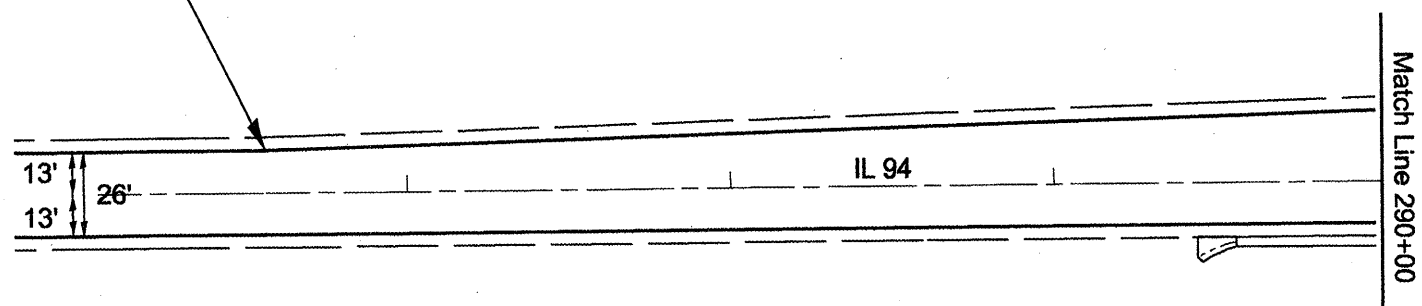


Note: All island measurements edge to flag or flag to flag

IL 94 Left EOP
Taper begins 284+70

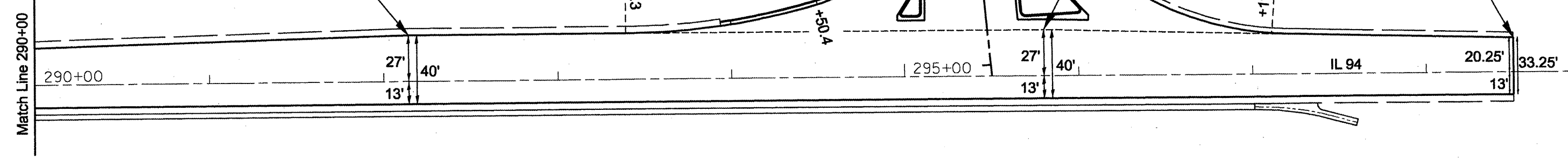


Three Centered Curve
550' - 70' - 400'
Offset = 16' & 13'

IL 94 Left EOP
Taper ends 286+54

IL 94 Left EOP
Taper begins 295+80

IL 94 Left EOP
Taper ends 298+50



FILE NAME = staging.dgn	USER NAME = hudsonme	DESIGNED -	REVISED -	STATE OF ILLINOIS DEPARTMENT OF TRANSPORTATION	PROPOSED INTERSECTION DETAIL IL 94 / IL 116 TEE		F.A.P. RTE. 665	SECTION .	COUNTY HENDERSON	TOTAL SHEETS 186	SHEET NO. 186
	PLOT SCALE = 68.0000' / IN.	CHECKED -	REVISED -		SCALE:	SHEET NO. OF SHEETS	STA. TO STA.	CONTRACT NO. 88773 ILLINOIS FED. AID PROJECT			
	PLOT DATE = 1/28/2009	DATE -	REVISED -								