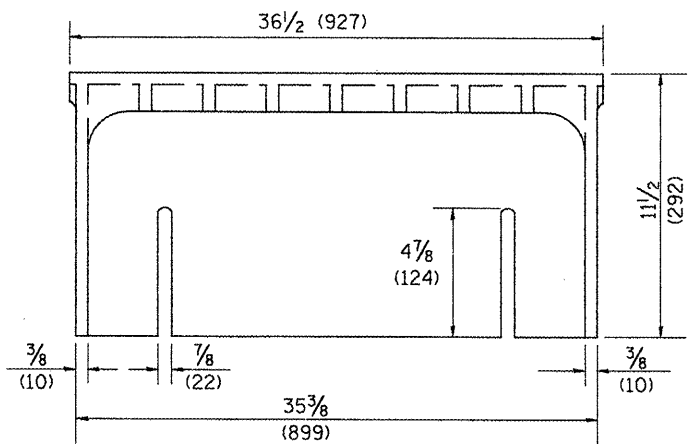
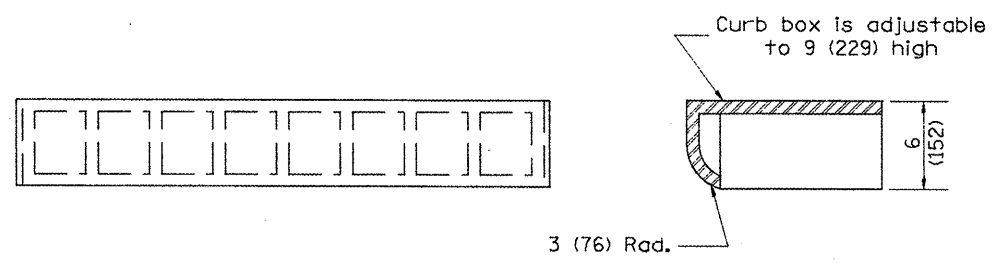
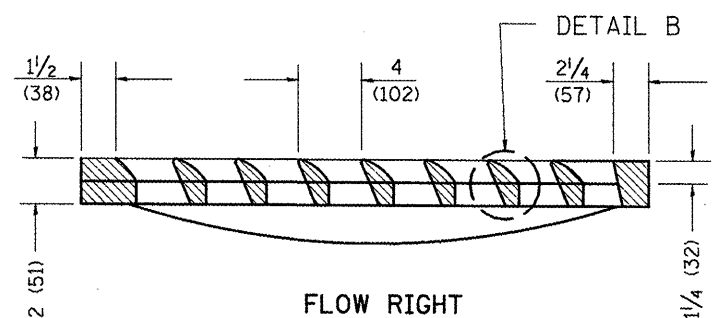
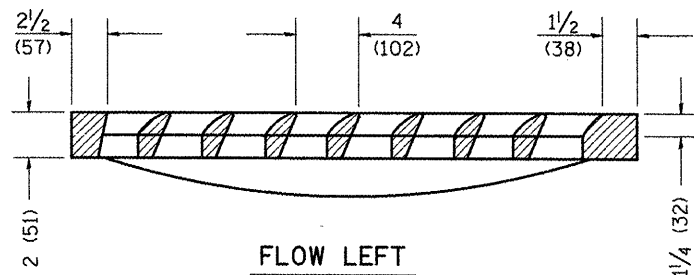
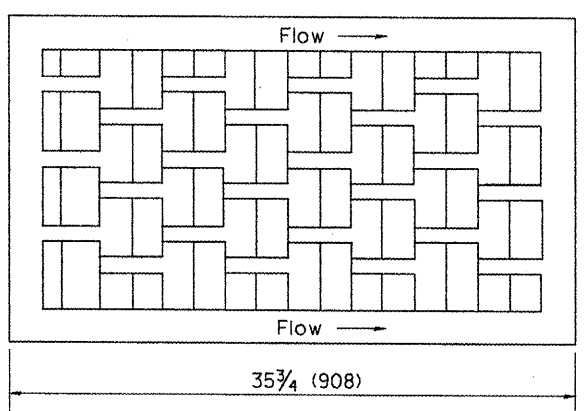
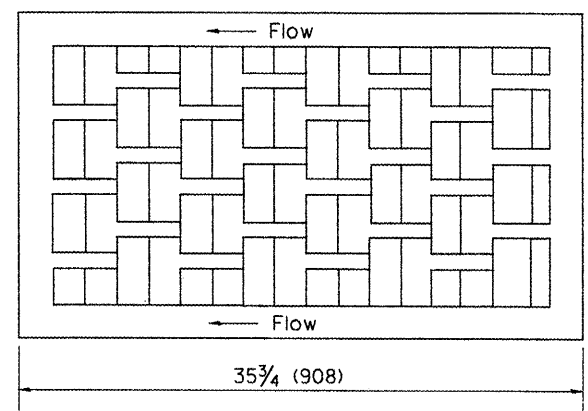


1. Quantity given in this drawing is for use in estimating the quantity of material.  
 2. These castings are included in the cost of the drainage structures as per District Special Provision.  
 3. Inlet Frames R-3246-A, Curb Box R-3290, Reversible Diagonal Grates R-3246-A, Vane Grates R-3246-AL (flow left), Vane Grates R-3246-AR (flow right)



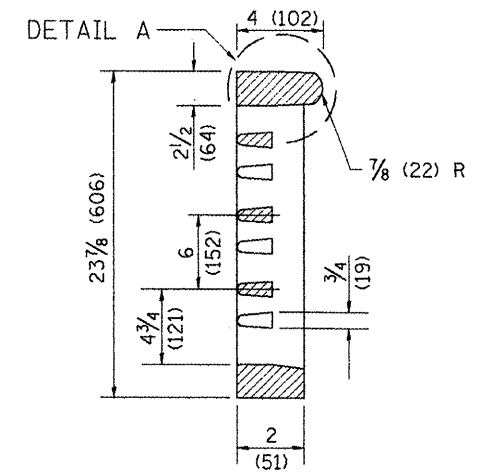
**CAST CURB BOX**  
110 lbs. (50 kg)



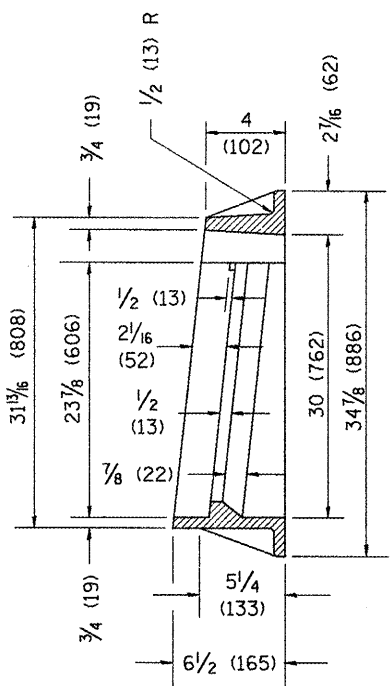
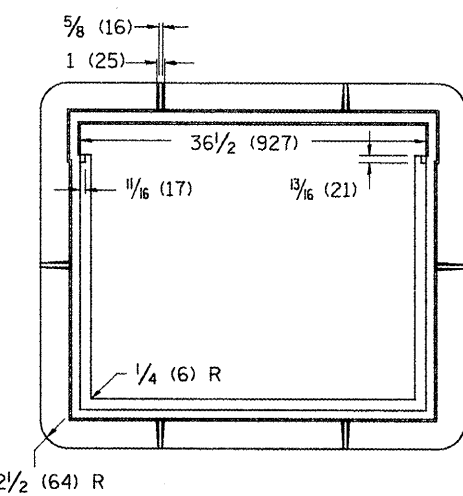
**FLOW LEFT**

**FLOW RIGHT**

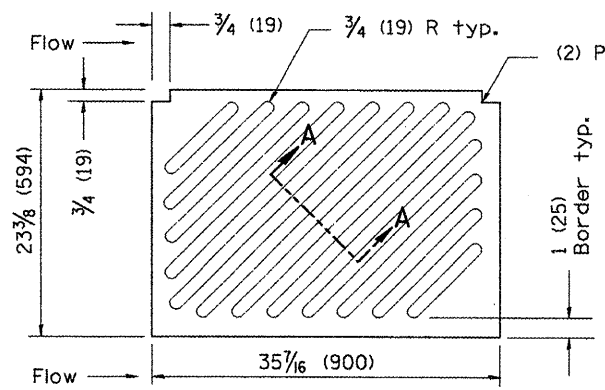
**CAST VANE GRATES**  
(SPECIFY LEFT OR RIGHT FLOW)  
230 lbs. (104 kg)



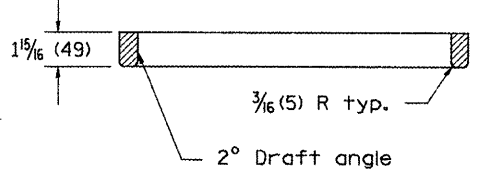
**DETAIL B**



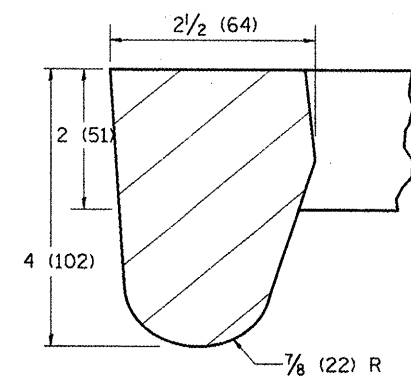
**CAST FRAME**  
271 lbs. (123 kg)



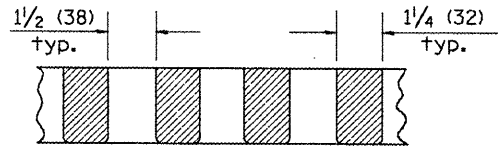
NOTE: Flow right shown



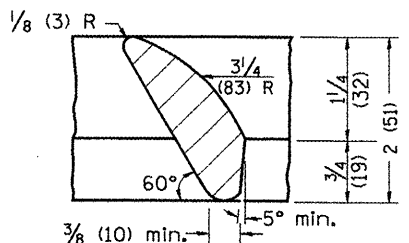
**CAST DIAGONAL GRATE**  
(Reversible for flow)  
217 lbs. (98 kg)



**DETAIL A**



**SECTION A-A**



**DETAIL B**

**GENERAL NOTES**

- The frame and grate shown on this drawing are for use with all TYPE G-1 and TYPE G-1, SPECIAL DRAINAGE STRUCTURES. See plans for grate type and flow direction.
- Flow direction: As viewed from street side.
- Material: cast gray iron.

All dimensions are in inches (millimeters) unless otherwise noted.

01-01-97	RENUM. B-10.01, NEW REVISION BOX	T.P.							
10-16-06	REVISED TO 2007 SPEC.	M.A.							
<b>STATE OF ILLINOIS</b> <b>DEPARTMENT OF TRANSPORTATION</b>					<b>FRAME &amp; GRATES FOR TYPE G-1 AND TYPE G-1,</b> <b>SPECIAL DRAINAGE STRUCTURES</b>				
NOT TO SCALE					CADD STD. 604001-D4				
			SECTION		COUNTY		TOTAL SHEETS		SHEET NO.
							220		220
			CONTRACT NO.						
			ILLINOIS		FED. AID PROJECT				