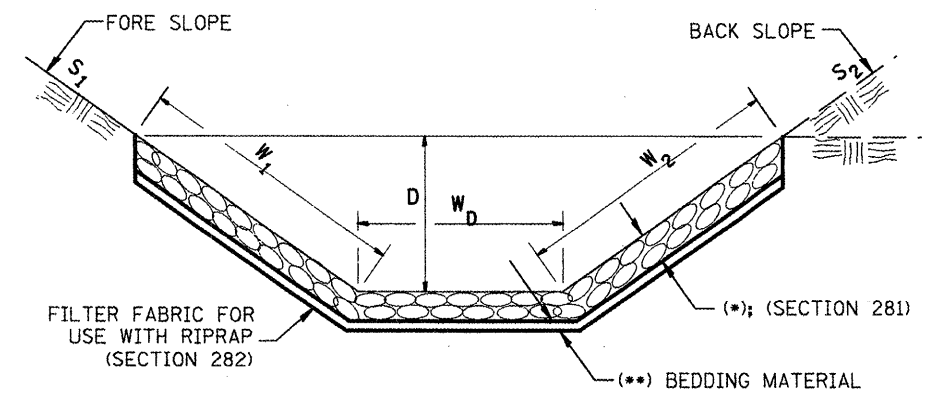


Designer NOTES:
 1. Designer to modify this Special Detail Sheet, as needed for inclusion in plans.
 2. (*) Designer to specify pay item including material, quality, and gradation.
 3. (**) Designer to specify thickness of bedding material.
 4. Include District Special Provision if needed.

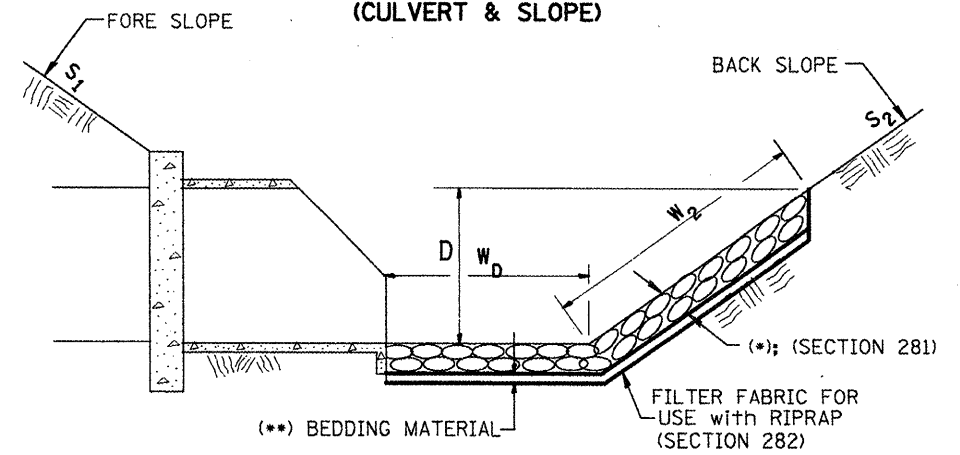
**CASE 1
(DITCH)**



| (*) | | | | |
|------------|---------------|---------------|------------------|-----------------------------|
| LOCATION | WIDTH (1) | LENGTH | RIPRAP | FABRIC |
| STA TO STA | lin ft (m) | lin ft (m) | tons (m tons) | sq yds (m ²) |
| | | | | |
| | | | | |
| | | | | |
| | | | | |
| TOTAL | | | | |

(1) WIDTH = $W_1 + W_2 + W_D$

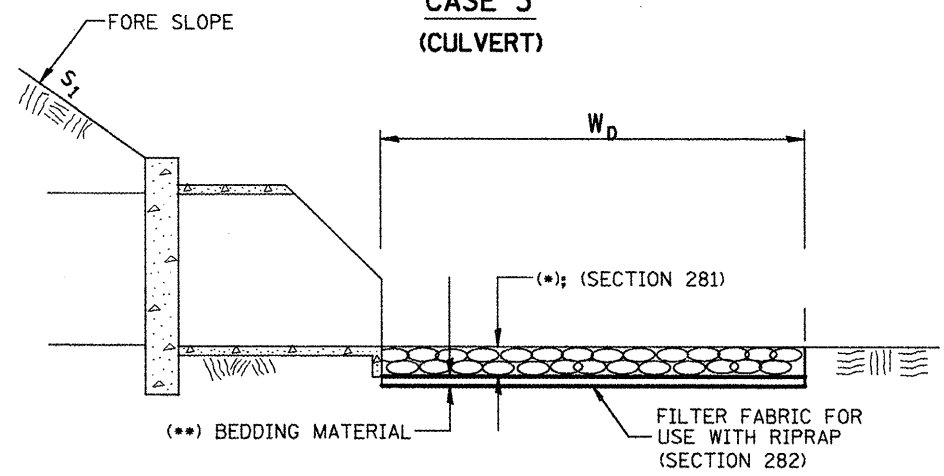
**CASE 2
(CULVERT & SLOPE)**



| (*) | | | | |
|------------|---------------|---------------|------------------|-----------------------------|
| LOCATION | WIDTH (1) | LENGTH | RIPRAP | FABRIC |
| STA TO STA | lin ft (m) | lin ft (m) | tons (m tons) | sq yds (m ²) |
| | | | | |
| | | | | |
| | | | | |
| | | | | |
| TOTAL | | | | |

(1) WIDTH = $W_2 + W_D$

**CASE 3
(CULVERT)**



| (*) | | | | |
|------------|---------------|---------------|------------------|-----------------------------|
| LOCATION | WIDTH (1) | LENGTH | RIPRAP | FABRIC |
| STA TO STA | lin ft (m) | lin ft (m) | tons (m tons) | sq yds (m ²) |
| | | | | |
| | | | | |
| | | | | |
| | | | | |
| TOTAL | | | | |

(1) WIDTH = W_D

All slope ratios are expressed as units of vertical displacement to units of horizontal displacement (V:H).
 All dimensions are in inches (millimeters) unless otherwise noted.