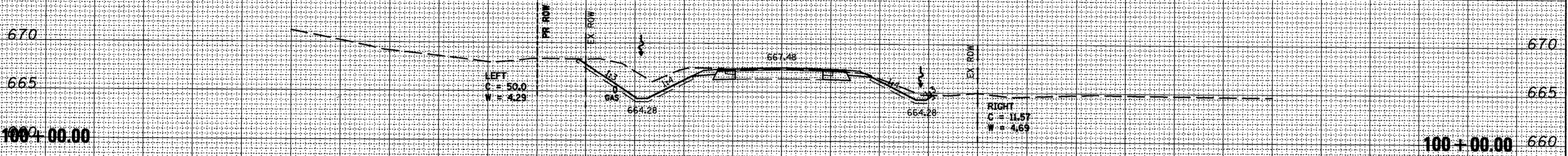
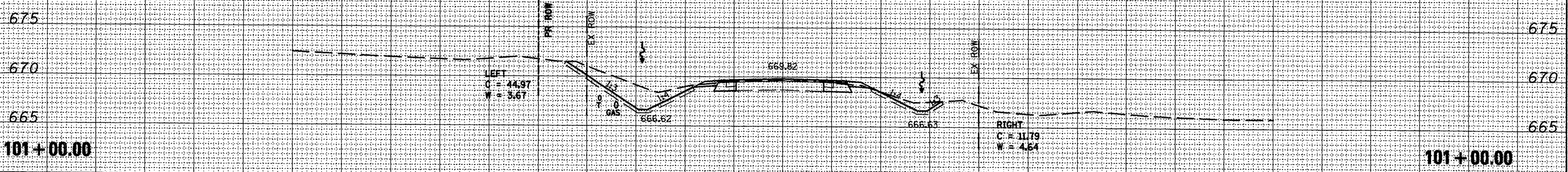


150 140 130 120 110 100 90 80 70 60 50 40 30 20 10 0 10 20 30 40 50 60 70 80 90 100 110 120 130 140 150

UNLESS ELEVATIONS ARE SHOWN  
 ALL UTILITY LOCATIONS SHOWN ON THE CROSS SECTIONS  
 ARE BASED ON THE APPROXIMATE DEPTHS SUPPLIED BY  
 THE UTILITY COMPANIES.



UNREVIEWED  
 SURVEY  
 PLOTTED  
 NOTE BOOK  
 TEMPLATE  
 AREAS CHECKED

UNREVIEWED  
 SURVEY  
 PLOTTED  
 NOTE BOOK  
 TEMPLATE  
 AREAS CHECKED

FILE NAME = vsectsheet.dgn  
 USER NAME = ghidrean  
 PLOT SCALE = 20.0000' / IN.  
 PLOT DATE = 1/21/2009

DESIGNED -	REVISED -
DRAWN -	REVISED -
CHECKED -	REVISED -
DATE -	REVISED -

STATE OF ILLINOIS  
 DEPARTMENT OF TRANSPORTATION

IL 116 - MAINLINE  
 SCALE: SHEET NO. OF SHEETS STA. 100+00.00 TO STA. 101+00.00

F.A.P. RTE.	SECTION	COUNTY	TOTAL SHEETS	SHEET NO.
665	(136,137)W&RS-3;109BR-2	HENDERSON		327
				CONTRACT NO. 88773

ILLINOIS FED. AID PROJECT