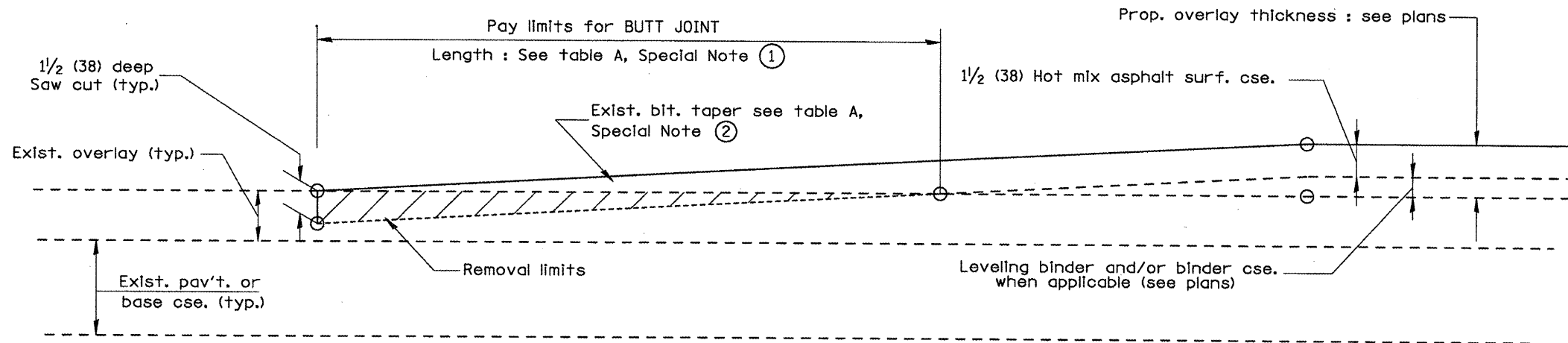
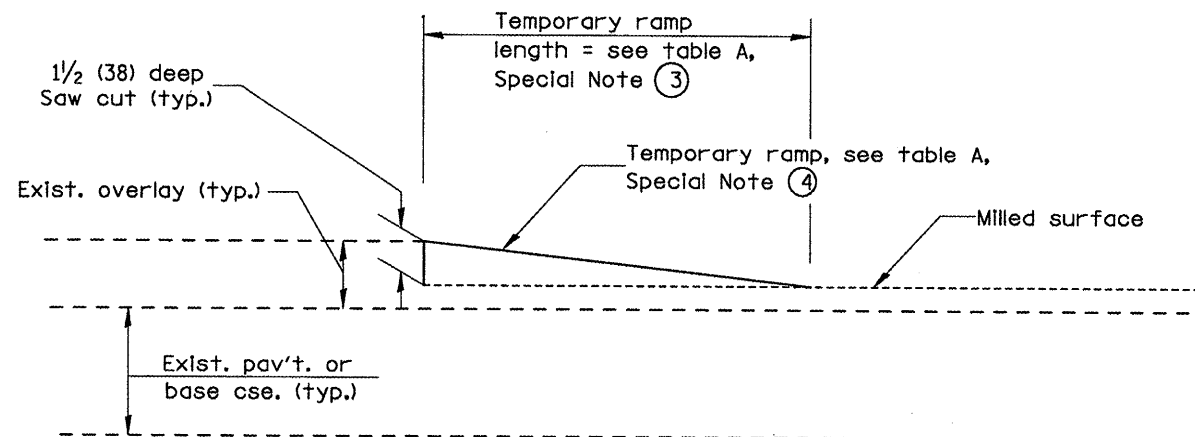


**CASE 3 : WITH HOT MIX ASPHALT SURFACE REMOVAL (COLD MILLING)
TIE-IN TO EXISTING BITUMINOUS TAPER**



**CASE 4 : NO HOT MIX ASPHALT SURFACE REMOVAL (COLD MILLING)
TIE-IN TO EXISTING BITUMINOUS TAPER**



DETAIL TEMPORARY RAMP

All dimensions are in inches (millimeters) unless otherwise noted.

FILE NAME = ...D488773-sht-486181.dgn	USER NAME = .USER.	DATA	REVISED	BY	STATE OF ILLINOIS DEPARTMENT OF TRANSPORTATION	BUTT JOINTS COUNTY ROAD 8 (1900 E) OVER BRANCH OF HONEY CREEK			F.A.P. RTE.	SECTION	COUNTY	TOTAL SHEETS	SHEET NO.			
THE UPCHURCH GROUP, INC.						SCALE: NTS	SHEET NO.	OF	SHEETS	STA.	TO STA.	665	1136.137/W&RS-3/136R109BR-2	Henderson	490/482	
PLOT DATE = 2/19/2009 2:08:24 PM											CADD STD 406101-04	SHT 2 OF 3	CONTRACT NO. 88773			
													FED. ROAD DIST. NO. 4		ILLINOIS FED. AID PROJECT	