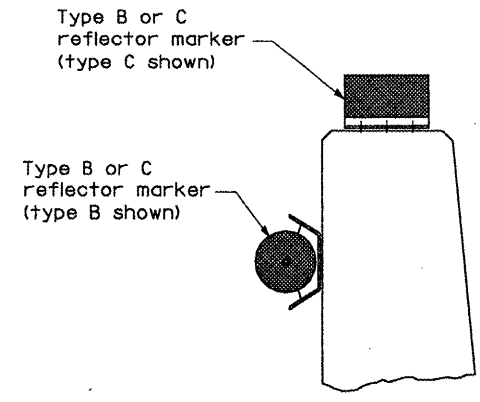
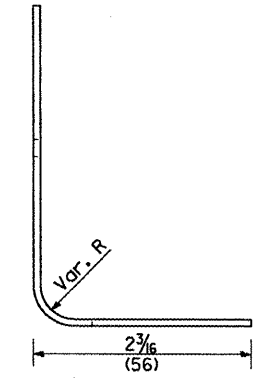
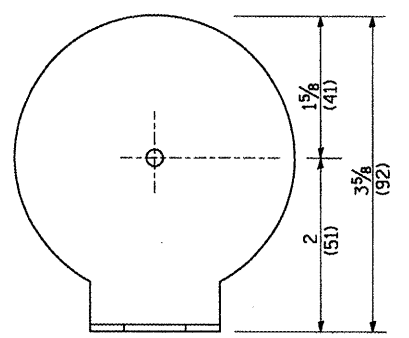
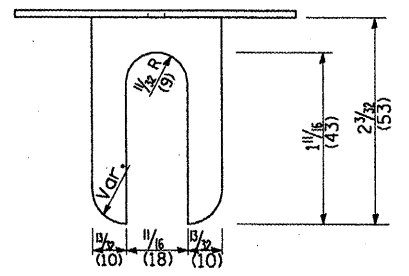


TYPICAL MOUNTING DETAIL FOR BRIDGE RAIL REFLECTOR



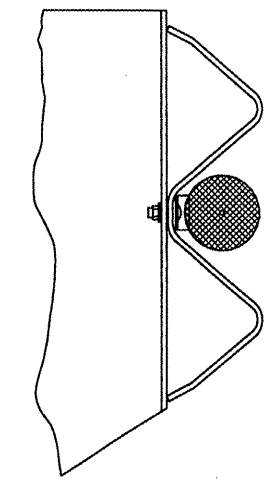
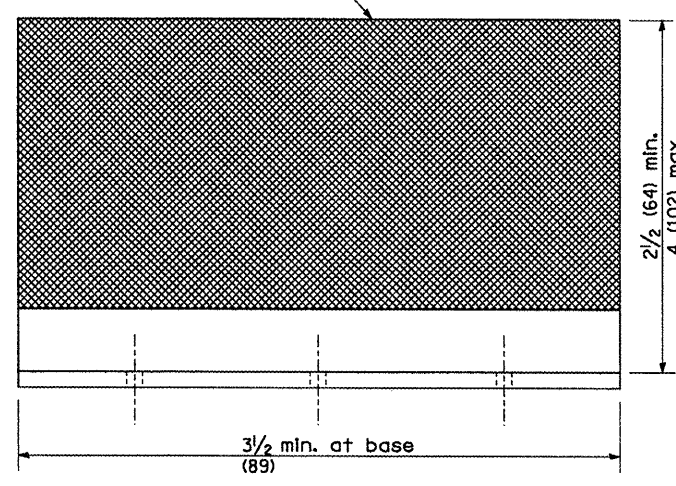
TYPICAL MOUNTING DETAIL FOR BARRIER WALL REFLECTOR

REFLECTOR MOUNTING

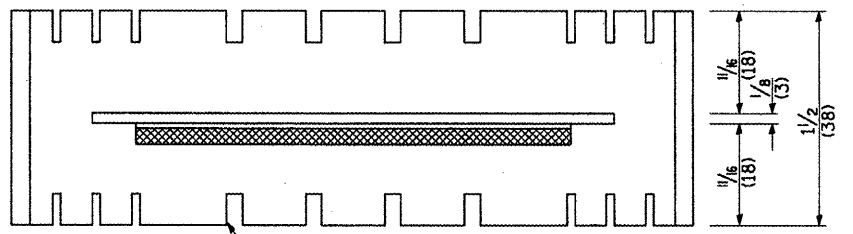


REFLECTOR MARKER TYPE A

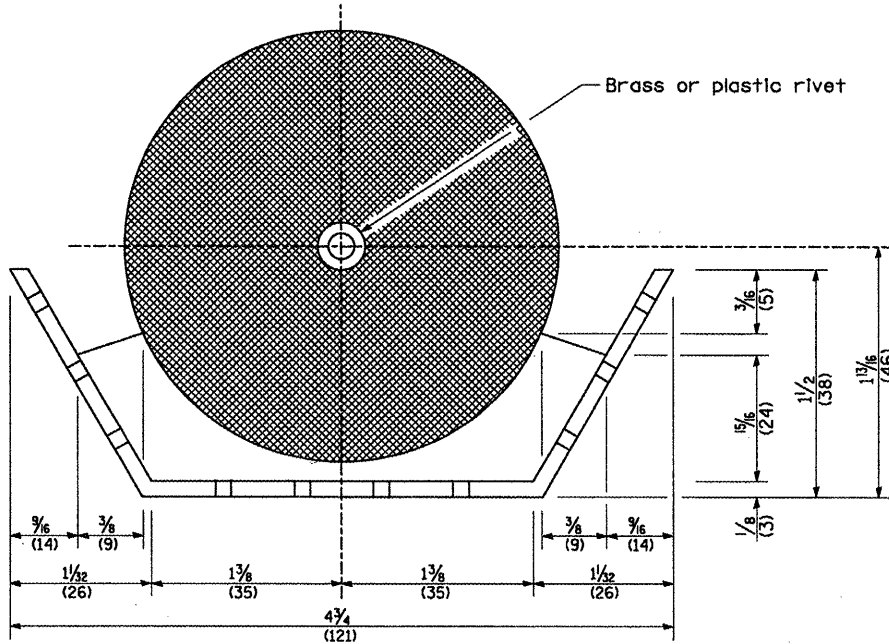
Min. reflective area 6 1/2 sq. in. (4,194 mm<sup>2</sup>) each side. May be rectangular or slight trapezoid.



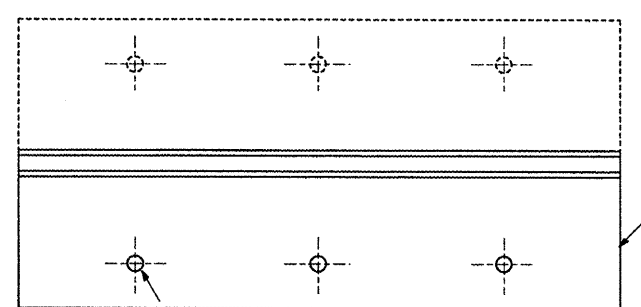
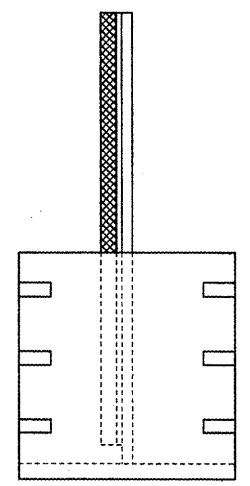
TYPICAL GUARDRAIL MOUNTING WITH REFLECTOR MARKER TYPE A



Adhesive weep slots or holes equally spaced on both sides



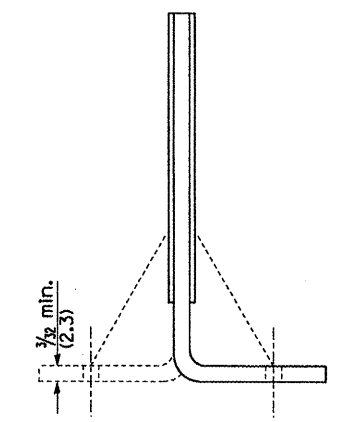
REFLECTOR MARKER TYPE B



3 min. adhesive weep holes or slots each side, variable spacing.

REFLECTOR MARKER TYPE C

Minimum total area of base 7.0 Sq. in. (4,516 mm<sup>2</sup>)



Cross section may be "T" or "L" shaped and may have side supports at ends.

REFLECTORS

All dimensions are in inches (millimeters) unless otherwise noted.

FILE NAME =	USER NAME = .USER.	DATA	REVISED	BY
...D488773-shd-635181.dgn				
THE UPCHURCH GROUP, INC.	PLOT SCALE = #SCALE#			
	PLOT DATE = 2/19/2009 2:10:23 PM			

STATE OF ILLINOIS  
DEPARTMENT OF TRANSPORTATION

GUARDRAIL AND BARRIER WALL DELINEATION			
COUNTY ROAD 8 (1900 E) OVER BRANCH OF HONEY CREEK			
SCALE: NTS	SHEET NO. OF SHEETS	STA.	TO STA.

F.A.P. RTE.	SECTION	COUNTY	TOTAL SHEETS	SHEET NO.
665	136.137W&RS-3;136R;109BR-2	Henderson	490	488
CADD STD 635101-D4	SHT 3 OF 3	CONTRACT NO. 88773		
FED. ROAD DIST. NO. 4 ILLINOIS FED. AID PROJECT				