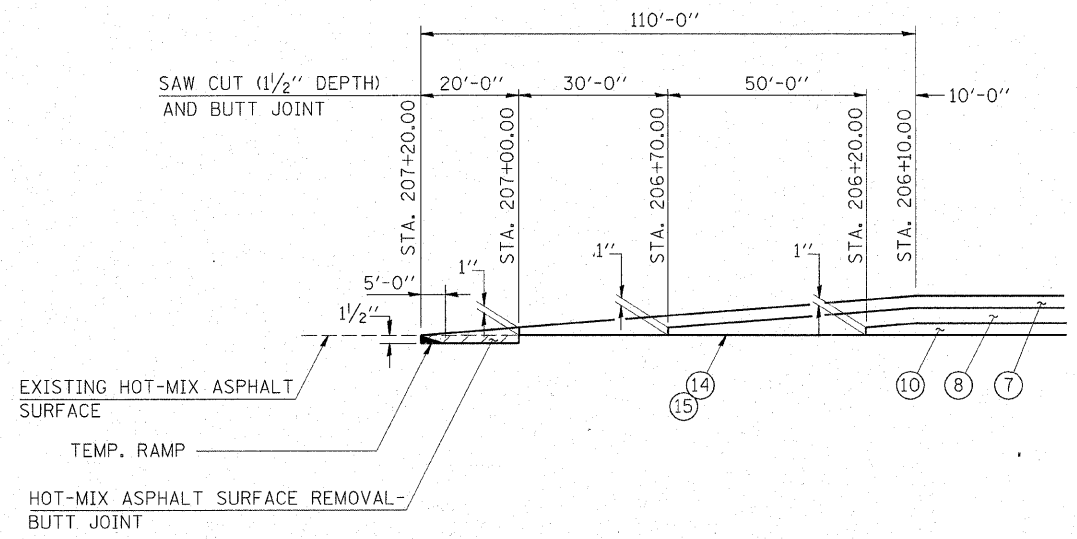
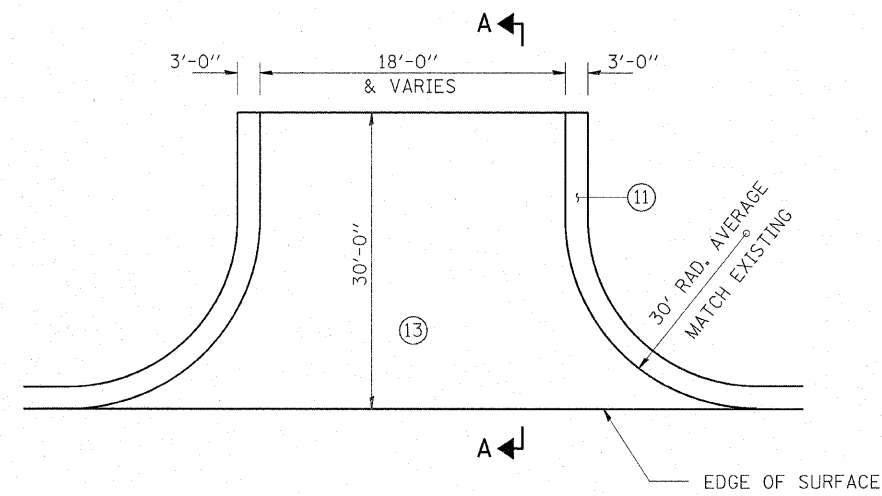


ROUTE NO.	SECTION	COUNTY	TOTAL SHEETS	SHEET NO.
FAS 495	95-00215-01-RS	PIATT	21	13
FED. ROAD DIST. NO. 7	ILLINOIS PROJECT			

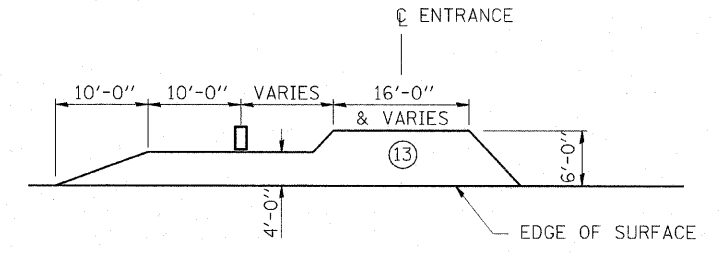
CONTRACT NO. 91383



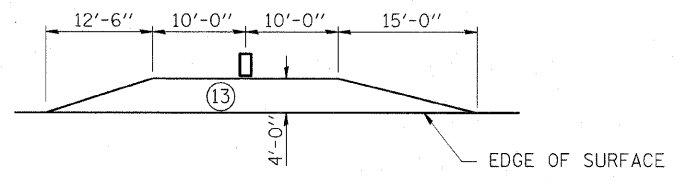
TRANSITION DETAIL



SIDE ROAD DETAIL
(6 EACH)

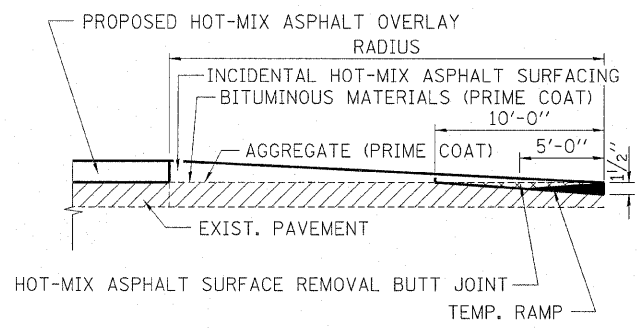


ENTRANCE WITH MAILBOX TURNOUT DETAIL
(3 EACH)

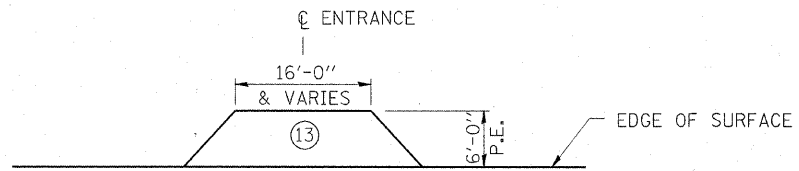


MAILBOX TURNOUT DETAIL
(2 EACH)

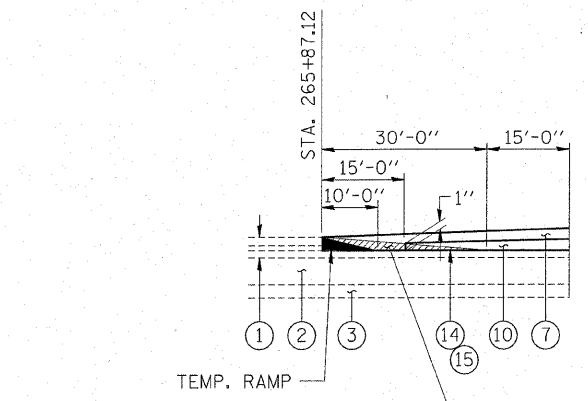
CONSTRUCT FULL DEPTH SURFACING AT THE EDGE OF THE MAIN LINE OVERLAY, THEN TAPER THICKNESS TO MEET EXISTING SURFACE AT THE END OF THE RADIUS RETURN OR AS DIRECTED BY THE ENGINEER.



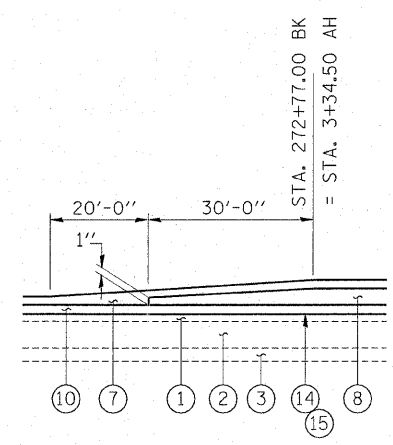
SECTION A-A



PRIVATE ENTRANCE DETAIL
(2 EACH)



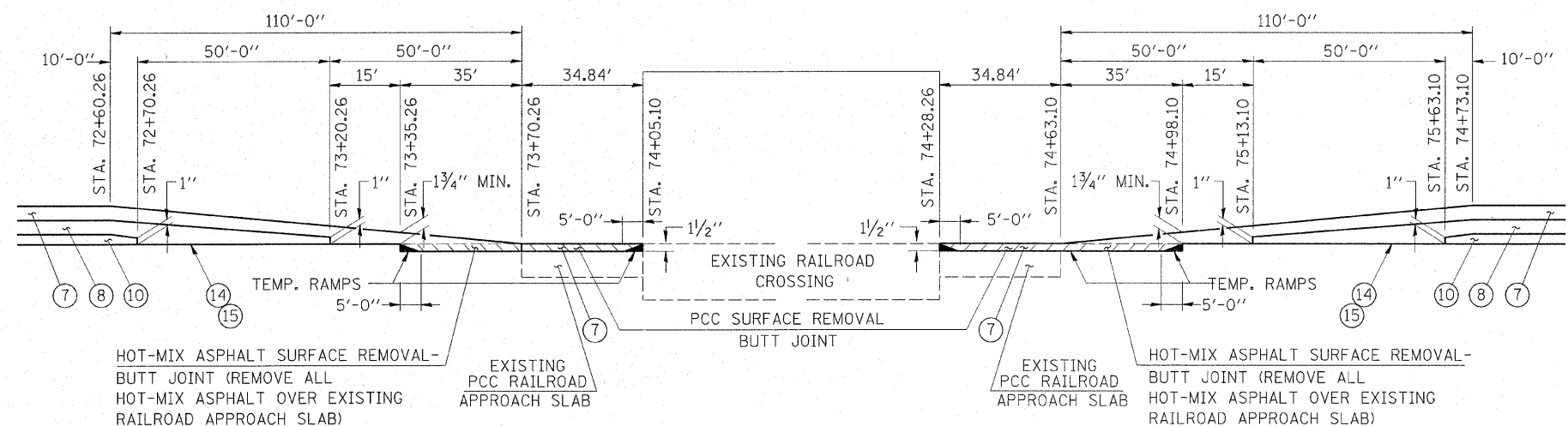
TRANSITION DETAIL



TRANSITION DETAIL

- LEGEND**
- ① EXISTING H.M.A. PAVEMENT
 - ② EXISTING PCC PAVEMENT (STD. REINF.) 8"
 - ③ EXISTING H.M.A STABILIZED SUB BASE 4"
 - ④ EXISTING AGGREGATE SHOULDER
 - ⑤ EXISTING ASPHALT CHIP SURFACE
 - ⑥ EXISTING AGGREGATE BASE COURSE 8"
 - ⑦ HOT-MIX ASPHALT SURFACE COURSE, MIX "C", N50 (1.5")
 - ⑧ HOT-MIX ASPHALT BINDER COURSE, IL-19.0, N50 (2.5")
 - ⑨ AGGREGATE BASE COURSE, TYPE A, 9"
 - ⑩ LEVELING BINDER (MACHINE METHOD), N50
 - ⑪ AGGREGATE SHOULDERS TYPE B (SPECIAL)
 - ⑫ PAINT PAVEMENT MARKING LINE 4"
 - ⑬ INCIDENTAL HOT-MIX ASPHALT SURFACING
 - ⑭ BITUMINOUS MATERIALS (PRIME COAT)
 - ⑮ AGGREGATE (PRIME COAT)

ALL EXCAVATION REQUIRED TO MAINTAIN FULL DEPTH SURFACING MATERIAL, AT PROPOSED ENTRANCES, IS INCIDENTAL TO HOT-MIX ASPHALT SURFACE COURSE, MIX "C", N50 AND SHALL NOT BE PAID FOR SEPARATELY.



RAILROAD CROSSING TRANSITION DETAIL

HAMPTON, LENZINI & RENWICK, INC.
CIVIL & STRUCTURAL ENGINEERS

3085 STEVENSON DRIVE, SUITE 201
SPRINGFIELD, ILLINOIS 62703
(217) 546-3400

ELGIN • SPRINGFIELD

PROJECT NUMBER: 03-75-0007-1 DATE: 01/16/08
DESIGNED: L.F.S. CHECKED: S.W.M. DRAWN: W.J.S.

ENTRANCE & TRANSITION DETAILS

SECTION 95-00215-01-RS
FAS 495 C.H. 2
PIATT COUNTY